

# FS-550E 15.0 - 125.0 (l/min) with pre-adjusted set points

PISTON TYPE

Standard FS-550E switches sense liquid flow in either direction to monitor flow/no-flow conditions. The paddle is trimmed during installation to permit switch actuation at the desired flow rate. As flow increases in a pipe, the paddle of the switch pivots to move out of the liquid path, producing less than 200mb of pressure drop regardless of pipe size.

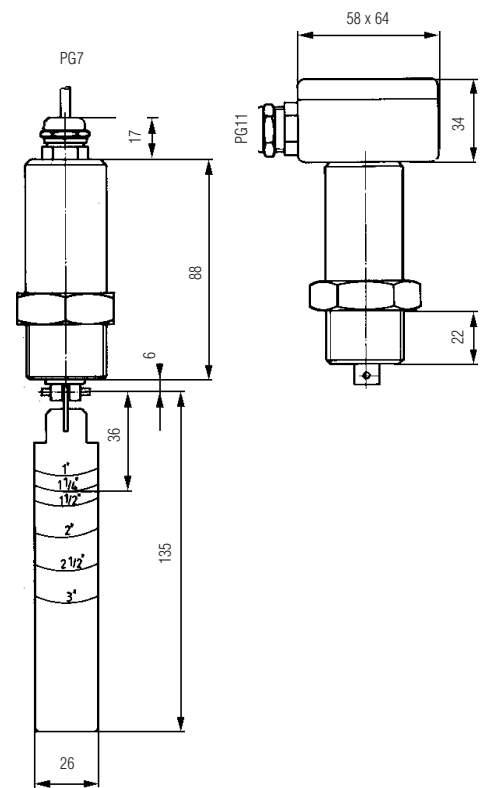
## Specifications

(all data related to water at +20°C)

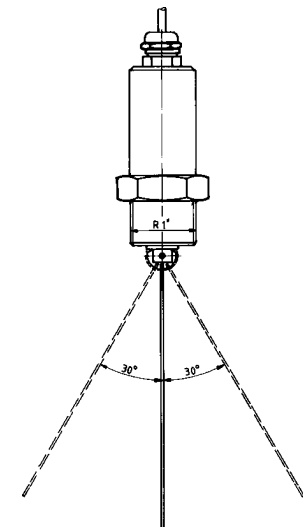
<b>Max. flow</b>	determined by the pipe's inside diameter
<b>Max. operating pressure</b>	55 bar
<b>Proof pressure</b>	82 bar
<b>Max. pressure drop</b>	0.2 bar
<b>Temperature range</b>	cable: -20 °C...+80 °C terminal box: -20 °C...+150 °C
<b>Set points</b>	see set point adjustment guideline
<b>Switching function (related to increasing flow)</b>	-SPDT
<b>Mounting orientation</b>	vertical, electrical connection up
<b>Repeatability</b>	±5%
<b>Adjustment accuracy</b>	±25%
<b>Hysteresis</b>	max. 50%
<b>Mounting</b>	R1"
<b>Electrical connections</b>	- cable: PVC, 3 x 0.34 mm <sup>2</sup> (length: approx. 1 m) - terminal box
<b>Enclosure</b>	- IP 65
<b>Electrical data contact rating</b>	- SPDT max. 20 VA, 0.5 A, 250 V~
<b>Weight</b>	0.6 kg



## Dimensions (in mm)



Housing: Brass or Stainless Steel  
Paddle: Stainless  
Spring: Stainless  
Magnet: PTFE



## How to Order

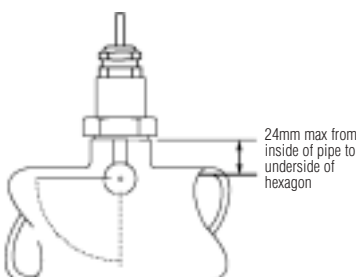
Electrical Connection	Brass	Stainless Steel
Cable	020-3493	020-3495
Terminal box	<b>020-3497</b>	<b>020-3499</b>

## Set Point Adjustment

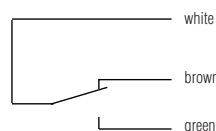
(approximate)

Cut-off size	Pipeline sizes							
	1 1/2"		2"		2 1/2"		3"	
	Set points (l/min) with increasing and decreasing flow							
	incr.	decr.	incr.	decr.	incr.	decr.	incr.	decr.
1 1/2"	57	42	106	80	144	114		
2"			84	57	103	76	182	144
2 1/2"					80	53	152	99
3"							118	76

## Mounting Method



## Wiring Diagram



Standard Products in **bold**

FLOW SWITCHES

www.gems-sensors.co.uk