



Model Numbering System

CC Level - Vertical Mount Level Switches and Transmitters



- L** = Large Float - 316SS, 12.7mm stem (S4 - spherical, 52mm dia, min 0.55 sg)
- L2** = Large Float - 316SS, 12.7mm stem (S3 - cylindrical, 45mm dia x 55mm, min 0.65 sg)
- S** = Small Float - 316SS, 8mm stem (S1 - cylindrical 29mm dia x 29mm, min 0.8 sg)
- SP** = Small Float - Buna N; exposed magnet & brass collars (NBR - cyl 18.5mm dia x 26mm, min 0.5 sg)
- T** = Large Float - 316SS, 12.7mm stem (S3 - cylindrical, 45mm dia x 55mm, min 0.65 sg)

- Min between switches = 75mm
- Min between switches = 78mm
- Min between switches = 50mm
- Min between switches = 50mm
- Level Transmitter, single float only; 4 - 20mA output

- 1** = # of Switches
- 2** = # of Switches
- 3** = # of Switches
- 4** = # of Switches
- 5** = # of Switches

- FL** = Flying Leads; 1m PVC standard; longer & PTFE available on request.
- DIN15** = Mini DIN 43650A 15mm plug & base; IP65
- DIN25** = DIN 43650A 25mm plug & base; IP65
- JB-PPL** = Junction box, Polypropylene large, M20 cable entry; IP65
- JB-BLL** = Junction box, glass reinforced Bakelite, large, M20 cable entry, IP65
- JB-ALM** = Junction box, aluminium, medium, M20 cable entry; < 32V only; IP65

IMPORTANT NOTES:

SPST switches: standard, 500mA (resistive) 32V AC/DC.

Each to be specified as NC or NO - when tank empty.

Optional: *

- * **C:** Common wiring:
 - single supply to all switches:
 - optional for 1 - 3 floats
 - standard for 4+ floats
- * **250:** line voltage (250V) wiring
- * **D:** SPDT (Changeover) switches 250mA @ 32V max only
- * **MA xx:** 4-20mA analogue output
 - specify (xx) 10 or 18mm resolution
 - loop powered
- * **P:** powder fill stem (high vibration applications)

Small junction boxes cannot be used for 250V or units with 3 or more switches.

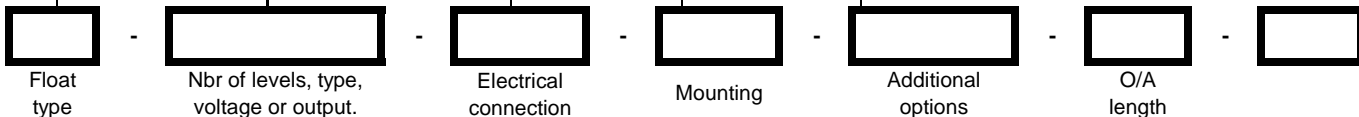
- JB-ALL** = Junction box, aluminium, large, with earth screw & cover lock for line voltage. M20 cable entry; IP65
- JB-SSM** = Junction box, stainless steel, medium, M20 cable entry with EPDM seal & SS gland; < 32V only; IP65
- JB-SSL** = Junction box, stainless steel, large, with earth and cover lock for line voltage. M20 cable entry, EPDM seal & SS gland; IP65
- JB-ALS** = Junction box, aluminium, small, M16 cable entry; < 32V only; IP65
- JB-SSS** = Junction box, stainless steel, small, M16 cable entry; < 32V only; IP65
- JB-ALH** = Junction box, aluminium, HiTop, M20 cable entry; < 32V only; IP65
- ES** = Electrical special on request

- 1/8T** = 1/8" BSPT Thread Fitting **3/8T** = 3/8" BSPM Thread Fitting] Single Switch only
- 1/8T90** = 1/8" BSPT, right angle stem. **3/8T90** = 3/8" BSPM, right angle stem.

- 0.75T** = 3/4" BSPT Thread Fitting * CCSP only **x/xBH** = x/x Bulhead fitting - specify both threads
- 1T** = 1" BSPT Thread Fitting * CCSP and CCS only; **2T** = 2" BSPT Thread Fitting
- 1G** = 1" BSPP Thread Fitting * CCSP and CCS only; **2G** = 2" BSPP Thread Fitting
- 1A** = 1" ANSI 150# flange * CCSP and CCS only; **xxTN** = mounting thread is NPT
- 2A** = 2" ANSI 150# Flange; **1.5A** = 1 1/2" ANSI 150# Flange
- 1D** = 1" Table D Flange * CCSP and CCS only; **3A** = 3" ANSI 150# RF
- 1CF** = 1" BSPM & SS compression fitting, minor adjustment only. **2D** = 2" Table D Flange
- MS** = Mounting special **2CF** = 2" BSPM & SS compression fitting.

- TSxxN*yyy** = Temp switch, temp setting, NO or NC, function - Open On Rise, e.g. TS80NCOOR
- TC** = Thermocouple 4 - 20mA output
- RTD** = PT 100 standard, others available
- RTDV** = RTD with analogue voltage output (0-10V)
- ST** = Stilling tube, CCL only: 50mm OD 304SS pipe, perforated bottom plate with locknut

CC



XXX = Serial Number or coding to identify: special features, customer reference, etc Assigned by Control Components

CC Level vertical mount level switches



CCS-1-FL-1/8T

CCS-1-FL-1/8T90



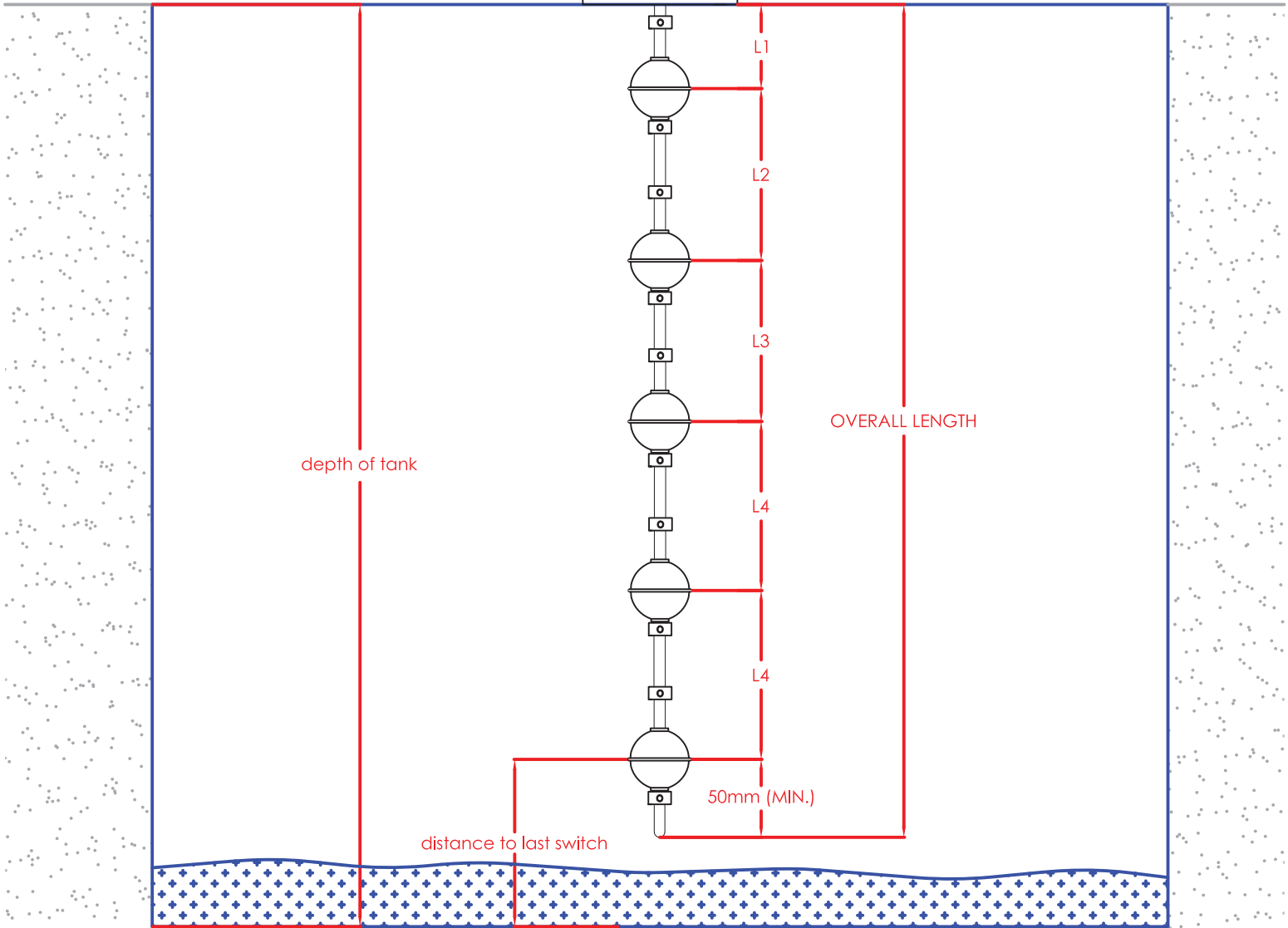
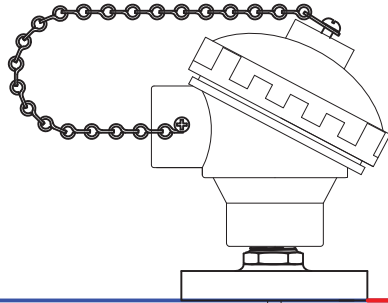
CCS-4-JB-ALM1T



CCSP-2-JB-ALS-0.75T



CCL-4-JB-ALM2D



depth of tank

L1

L2

L3

OVERALL LENGTH

L4

L4

50mm (MIN.)

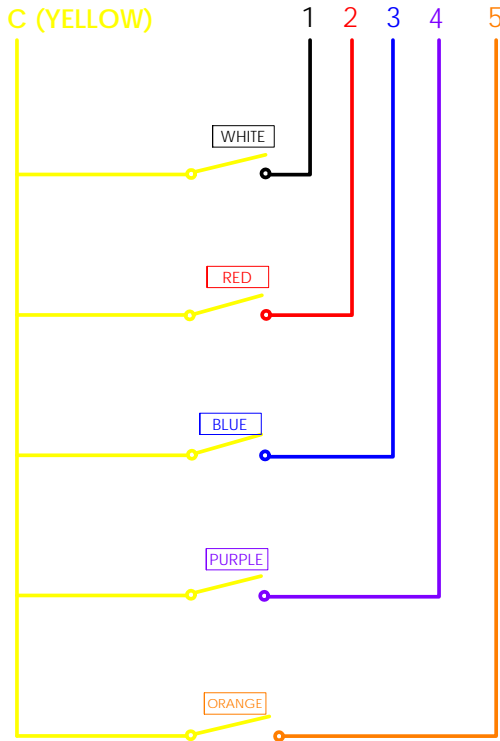
distance to last switch

**Junction box alternatives
 for
 flow and level switch units**

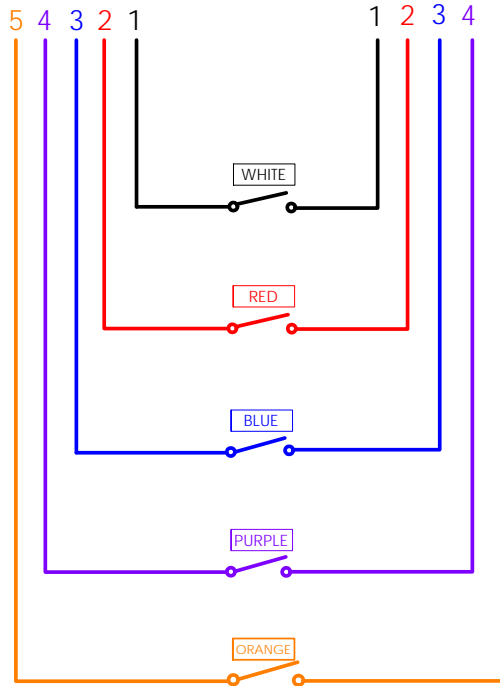


Small size housings for max 32V, IP65 rating, 1/4 and 1/2" connections ~ internal terminal strip ~ Dims: 60mm dia x 80 mm high		
Aluminium Small 32V IP65	JB-ALS-32V-65-1 (1/4") JB-ALS-32V-65-2 (1/2") ~ Painted aluminium case ~ M16 NPB cable gland supplied	
Stainless Small 32V IP65	JB-SSS-32V-65-2 ~ Full 316SS case ~ M16 SS cable gland supplied	
Medium size housings for max 32V, IP65 rating, 1/2" connection ~ internal terminal strip on SS bracket ~ Dims: 70mm dia x 75 mm high		
Aluminium Medium 32V IP65	JB-ALM-32V-65-2 ~ Painted aluminium case ~ M20 cable entry (no gland)	
Stainless Medium 32V IP65	JB-SSM-32V-65-2 ~ Full 316SS case ~ M20 SS cable gland supplied	
Large size housings for max 250V, IP65 rating, 1/2" connection ~ Painted earth terminals both inside and outside housing. ~ Cover locking screw ~ internal terminal strip on SS bracket ~ Dims: 82mm dia x 94 mm high		
Aluminium Large 240V IP65	JB-ALL-240V-65-2 ~ Painted aluminium case ~ M20 cable entry (no gland)	
Stainless Large 240V IP65	JB-SSL-240V-65-2 ~ Full 316SS case ~ M20 SS cable gland supplied	

COMMON WIRED CONTACTS

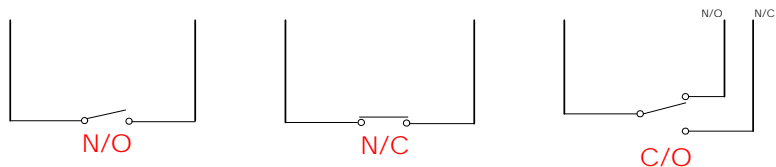


INDIVIDUALLY WIRED CONTACTS



- STANDARD** - NO or NC CONTACT RATED @ 32V AC/DC @ 500mA RESISTIVE LOAD
- STANDARD** - INDIVIDUALLY WIRED CONTACTS (UP TO 3 FLOATS) or COMMON WIRED 4-5
- OPTION** - INDIVIDUALLY WIRED CONTACTS FOR 4-5 FLOATS
- OPTION** - CHANGE-OVER CONTACT RATED @ 250mA RESISTIVE LOAD
- OPTION** - NO or NC CONTACT RATED @ 250V AC/DC @ 500mA RESISTIVE LOAD
- OPTION** - TEMPERATURE SENSOR (SWITCH, 4-20mA OR 0-10V)

Please select switch type: SPST (N/O or N/C) or SPDT (C/O)



Note: switch state specified when the tank is empty

CONTROL COMPONENTS PTY LTD

CONDITIONS:
THIS DRAWING IS OUR EXCLUSIVE PROPERTY & MUST NOT BE COPIED OR HANDED TO ANY OTHER PARTIES WITHOUT WRITTEN PERMISSION. IT SHALL BE RETURNED UPON REQUEST.

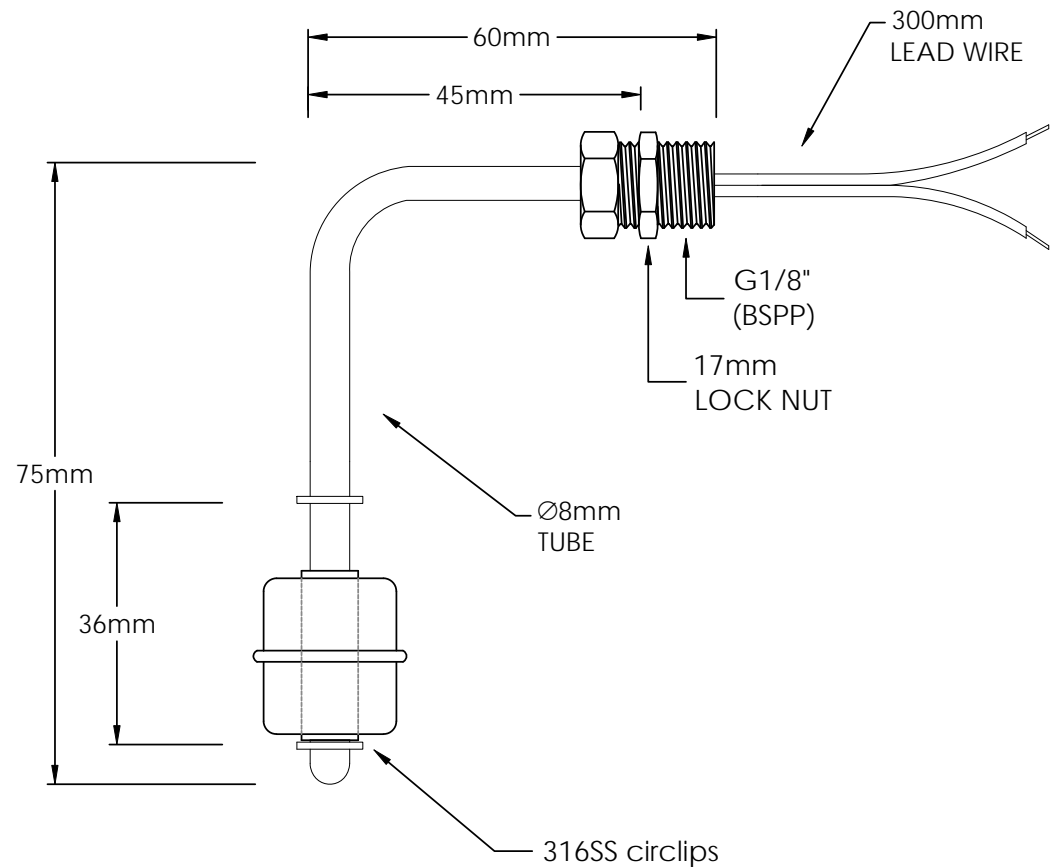
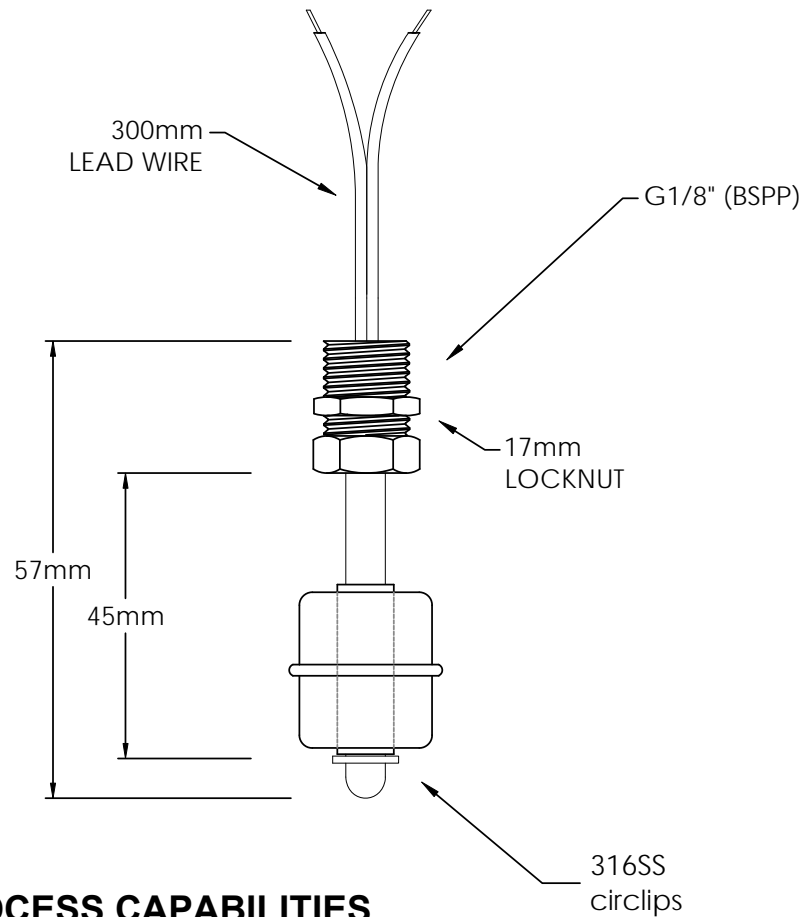
UNIT 19, 15-23 KUMULLA ROAD
MIRANDA NSW 2228

PHONE: 02 9542 8977
FAX: 02 9542 7978
EMAIL: HELP@CONTROLCOMPONENTS.COM.AU



TITLE: CC Level wiring diagram.

REGISTRY	SCANNED	SIZE: A4	DATE: 29-08-13	REV. 1.4
		SCALE: NTS	DRAWN BY: BGM	CC-wiring



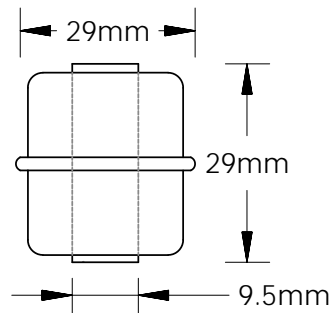
PROCESS CAPABILITIES

- 1/8" BSPP with 17mm lock nut
- 316SS construction
- specific gravity ≥ 0.8
- temp rating: 120 °C max.
- pressure rating: 9.8 bar max.
- special threads & leads available
- special lengths made to order

ELECTRICAL CAPABILITIES

- NO or NC function by reversing float
- switching capacity: 50 Watts
- switching voltage: 240VAC / 200VDC

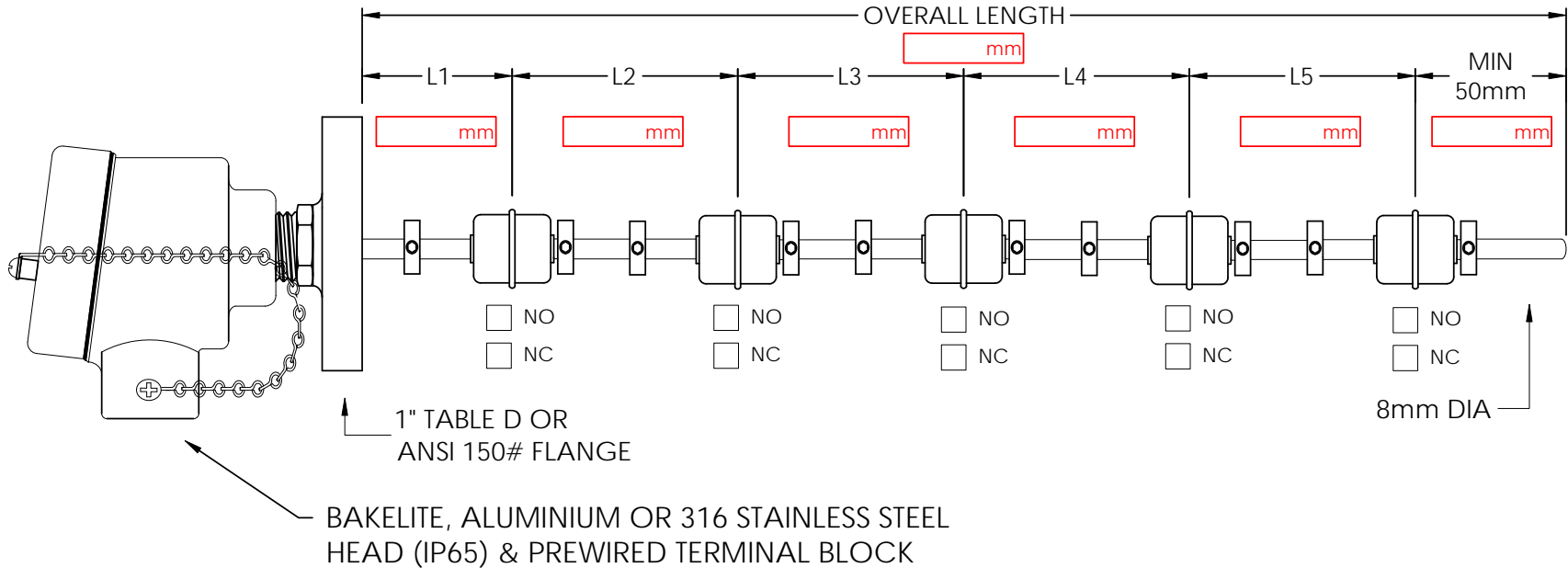
FLOAT DIMENSIONS:



CONTROL COMPONENTS PTY LTD			
<p>CONDITIONS: THIS DRAWING IS OUR EXCLUSIVE PROPERTY & MUST NOT BE COPIED OR HANDED TO ANY OTHER PARTIES WITHOUT WRITTEN PERMISSION. IT SHALL BE RETURNED UPON REQUEST.</p>		UNIT 19, 15-23 KUMULLA ROAD MIRANDA NSW 2228	
		PHONE: 02 9542 8977 FAX: 02 9542 7978 EMAIL: HELP@CONTROLCOMPONENTS.COM.AU	
		TITLE: Single float level switch with short stem - stock product.	
REGISTRY	SCANNED	SIZE: A4	DATE: 06-05-16
		SCALE: NTS	REV. 6.1
		DRAWN BY: BGM	CCS-1-FL-1/8Tx - stock



NOTE: MINIMUM DISTANCE BETWEEN FLOATS IS 50mm



- STANDARD** - NO or NC CONTACT RATED @ 32V AC/DC @ 500mA RESISTIVE LOAD
- STANDARD** - INDIVIDUALLY WIRED CONTACTS (UP TO 3 FLOATS) or COMMON WIRED 4-5
- OPTION** - NO or NC CONTACT RATED @ 250V AC/DC @ 500mA RESISTIVE LOAD
- OPTION** - INDIVIDUALLY WIRED CONTACTS FOR 4-5 FLOATS
- OPTION** - 240V RATED - ALUMINIUM or STAINLESS STEEL HEAD (IP65) WITH 240V WIRING
- OPTION** - TEMPERATURE SWITCH
- OPTION** - CHANGE-OVER CONTACT RATED @ 250mA RESISTIVE LOAD

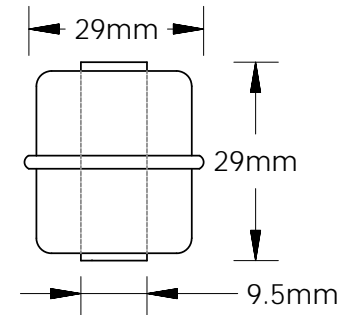
SPECIFICATIONS:

- 316L STAINLESS STEEL CONSTRUCTION
- Ø 29mm STAINLESS STEEL FLOATS
- SPECIFIC GRAVITY 0.8 (min.)
- TEMPERATURE RATING: 120°C (max.)
- PRESSURE RATING: 9.8 bar (max.)

OPTIONAL CAPABILITIES:

- UP TO 5 FLOATS PER ASSEMBLY (max. 1200mm)
- NO or NC CONTACTS RATED @ 250V AC/DC @ 500mA RESISTIVE LOAD
- WIRING VARIATIONS
- CHANGE-OVER CONTACTS RATED @ 250mA RESISTIVE LOAD
- SPECIAL THREADS, FLANGES & LENGTHS AVAILABLE

FLOAT DIMENSIONS:



Serial No:	Qty:
Work Order:	
Ref:	
Customer:	
Cust. PO:	
CCPL Invoice No:	State:

CONTROL COMPONENTS PTY LTD

CONDITIONS:
THIS DRAWING IS OUR EXCLUSIVE PROPERTY & MUST NOT BE COPIED OR HANDED TO ANY OTHER PARTIES WITHOUT WRITTEN PERMISSION. IT SHALL BE RETURNED UPON REQUEST.

UNIT 19, 15-23 KUMULLA ROAD
MIRANDA NSW 2228

PHONE: 02 9542 8977
FAX: 02 9542 7978
EMAIL: HELP@CONTROLCOMPONENTS.COM.AU



TITLE: 1→5 station level switch with small floats

SIZE: A4

DATE: 31-08-12

REV. 6.0

REGISTRY

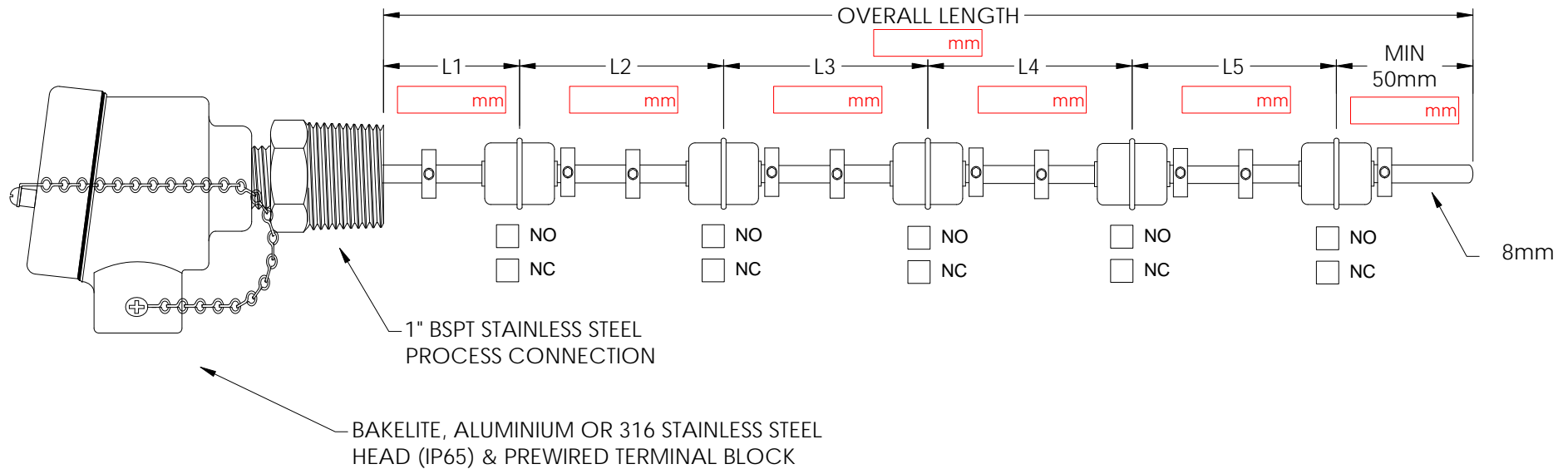
SCANNED

SCALE: NTS

DRAWN BY: BGM

CCS-X-JB-xxx-XD/XA

NOTE: MINIMUM DISTANCE BETWEEN FLOATS IS 50mm



- STANDARD** - NO or NC CONTACT RATED @ 32V AC/DC @ 500mA RESISTIVE LOAD
- STANDARD** - INDIVIDUALLY WIRED CONTACTS (UP TO 3 FLOATS) or COMMON WIRED 4-5
- OPTION** - NO or NC CONTACT RATED @ 250V AC/DC @ 500mA RESISTIVE LOAD
- OPTION** - INDIVIDUALLY WIRED CONTACTS FOR 4-5 FLOATS
- OPTION** - 240V RATED - ALUMINIUM or STAINLESS STEEL HEAD (IP65) WITH 240V WIRING
- OPTION** - TEMPERATURE SWITCH
- OPTION** - CHANGE-OVER CONTACT RATED @ 250mA RESISTIVE LOAD

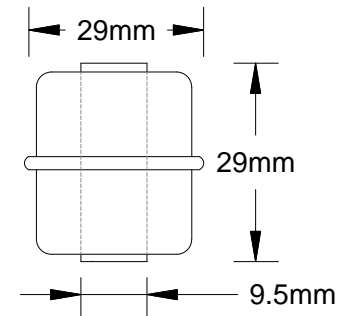
SPECIFICATIONS:

- 316L STAINLESS STEEL CONSTRUCTION
- Ø 29mm STAINLESS STEEL FLOATS
- SPECIFIC GRAVITY 0.8 (min.)
- TEMPERATURE RATING: 120°C (max.)
- PRESSURE RATING: 9.8 bar (max.)

OPTIONAL CAPABILITIES:

- UP TO 5 FLOATS PER ASSEMBLY (max. 1200mm)
- NO or NC CONTACTS RATED @ 250V AC/DC @ 500mA RESISTIVE LOAD
- WIRING VARIATIONS
- CHANGE-OVER CONTACTS RATED @ 250mA RESISTIVE LOAD
- SPECIAL THREADS, FLANGES & LENGTHS AVAILABLE

FLOAT DIMENSIONS:



Serial No:	Qty:
Work Order:	
Ref:	
Customer:	
Cust. PO:	
CCPL Invoice No:	State:

CONTROL COMPONENTS PTY LTD

CONDITIONS:
 THIS DRAWING IS OUR EXCLUSIVE PROPERTY & MUST NOT BE COPIED OR HANDED TO ANY OTHER PARTIES WITHOUT WRITTEN PERMISSION. IT SHALL BE RETURNED UPON REQUEST.

UNIT 19, 15-23 KUMULLA ROAD
 MIRANDA NSW 2228

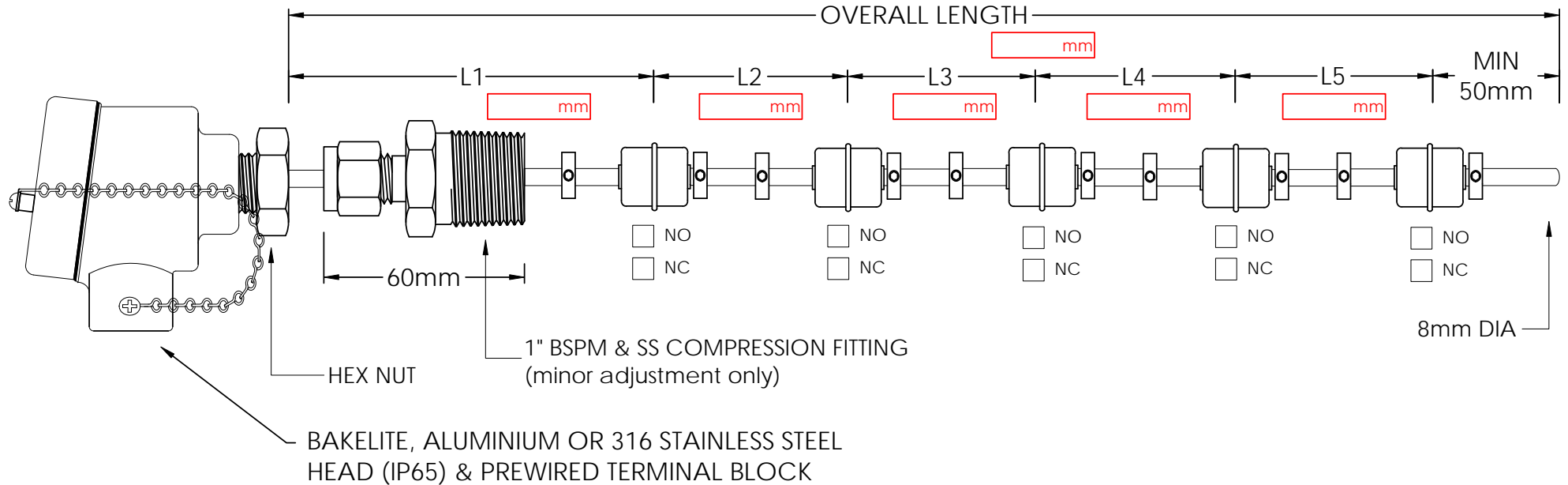
PHONE: 02 9542 8977
 FAX: 02 9542 7978
 EMAIL: HELP@CONTROLCOMPONENTS.COM.AU



TITLE: 1→5 station level switch with small floats

REGISTRY	SCANNED	SIZE: A4	DATE: 31-08-12	REV. 6.0
		SCALE: NTS	DRAWN BY: BGM	CCS-X-JB-xxx-1T

NOTE: MINIMUM DISTANCE BETWEEN FLOATS IS 50mm



- STANDARD** - NO or NC CONTACT RATED @ 32V AC/DC @ 500mA RESISTIVE LOAD
- STANDARD** - INDIVIDUALLY WIRED CONTACTS (UP TO 3 FLOATS) or COMMON WIRED 4-5
- OPTION** - NO or NC CONTACT RATED @ 250V AC/DC @ 500mA RESISTIVE LOAD
- OPTION** - INDIVIDUALLY WIRED CONTACTS FOR 4-5 FLOATS
- OPTION** - 240V RATED - ALUMINIUM or STAINLESS STEEL HEAD (IP65) WITH 240V WIRING
- OPTION** - TEMPERATURE SWITCH
- OPTION** - CHANGE-OVER CONTACT RATED @ 250mA RESISTIVE LOAD

SPECIFICATIONS:

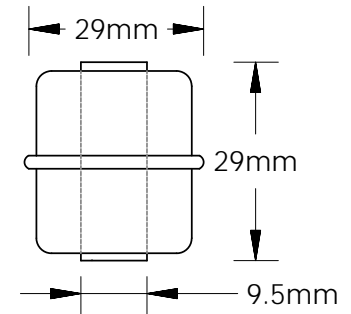
- 316L STAINLESS STEEL CONSTRUCTION
- Ø 29mm STAINLESS STEEL FLOATS
- SPECIFIC GRAVITY 0.8 (min.)
- TEMPERATURE RATING: 120°C (max.)
- PRESSURE RATING: 9.8 bar (max.)


OPTIONAL CAPABILITIES:

- UP TO 5 FLOATS PER ASSEMBLY (max. 1200mm)
- NO or NC CONTACTS RATED @ 250V AC/DC @ 500mA RESISTIVE LOAD
- WIRING VARIATIONS
- CHANGE-OVER CONTACTS RATED @ 250mA RESISTIVE LOAD
- SPECIAL THREADS, FLANGES & LENGTHS AVAILABLE

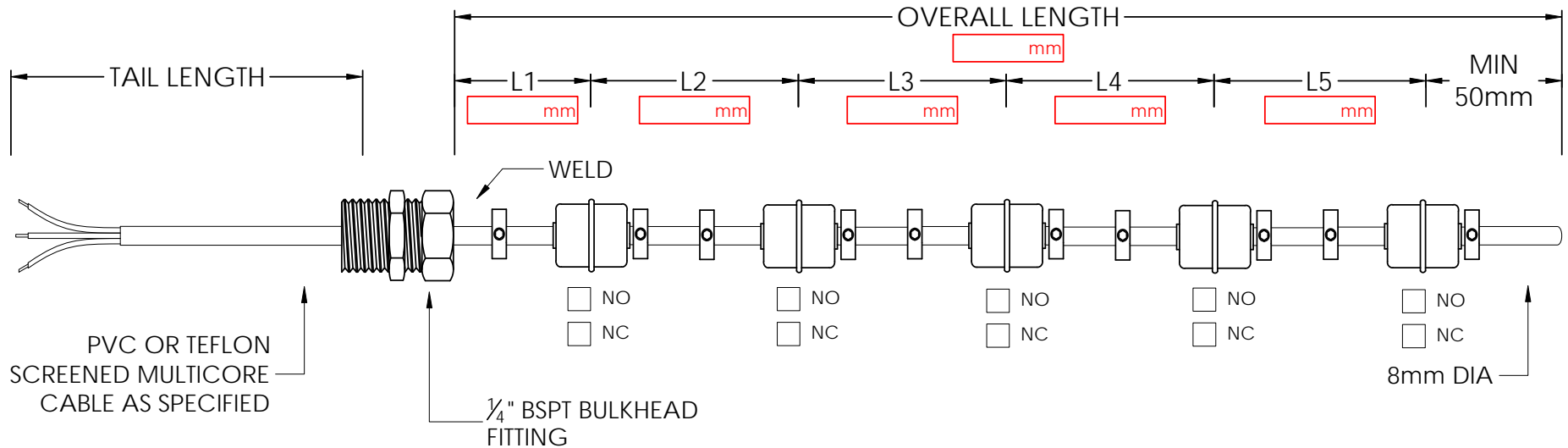
Serial No: _____ Qty: _____
 Work Order: _____
 Ref: _____
 Customer: _____
 Cust. PO: _____
 CCPL Invoice No: _____ State: _____

FLOAT DIMENSIONS:



CONTROL COMPONENTS PTY LTD			
<p>CONDITIONS: THIS DRAWING IS OUR EXCLUSIVE PROPERTY & MUST NOT BE COPIED OR HANDED TO ANY OTHER PARTIES WITHOUT WRITTEN PERMISSION. IT SHALL BE RETURNED UPON REQUEST.</p>		UNIT 19, 15-23 KUMULLA ROAD MIRANDA NSW 2228 PHONE: 02 9542 8977 FAX: 02 9542 7978 EMAIL: HELP@CONTROLCOMPONENTS.COM.AU	
			
		TITLE: 1→5 station level switch with small floats	
REGISTRY	SCANNED	SIZE: A4	DATE: 31-08-12
		SCALE: NTS	REV. 6.0
		DRAWN BY: BGM	CCS-X-JB-xxx-1CF

NOTE: MINIMUM DISTANCE BETWEEN FLOATS IS 50mm



- STANDARD** - NO or NC CONTACT RATED @ 32V AC/DC @ 500mA RESISTIVE LOAD
- STANDARD** - INDIVIDUALLY WIRED CONTACTS (UP TO 3 FLOATS) or COMMON WIRED 4-5
- OPTION** - NO or NC CONTACT RATED @ 250V AC/DC @ 500mA RESISTIVE LOAD
- OPTION** - INDIVIDUALLY WIRED CONTACTS FOR 4-5 FLOATS
- OPTION** - 240V RATED - ALUMINIUM or STAINLESS STEEL HEAD (IP54) WITH 240V WIRING
- OPTION** - TEMPERATURE SWITCH
- OPTION** - CHANGE-OVER CONTACT RATED @ 250mA RESISTIVE LOAD

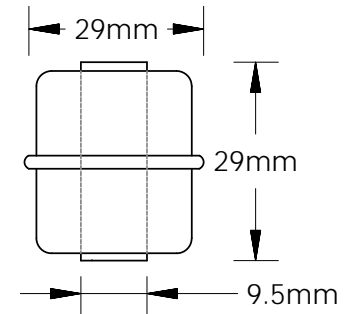
SPECIFICATIONS:

- 316L STAINLESS STEEL CONSTRUCTION
- Ø 29mm STAINLESS STEEL FLOATS
- SPECIFIC GRAVITY 0.8 (min.)
- TEMPERATURE RATING: 120°C (max.)
- PRESSURE RATING: 9.8 bar (max.)

OPTIONAL CAPABILITIES:

- UP TO 5 FLOATS PER ASSEMBLY (max. 1200mm)
- NO or NC CONTACTS RATED @ 250V AC/DC @ 500mA RESISTIVE LOAD
- WIRING VARIATIONS
- CHANGE-OVER CONTACTS RATED @ 250mA RESISTIVE LOAD
- SPECIAL THREADS, FLANGES & LENGTHS AVAILABLE

FLOAT DIMENSIONS:



Serial No:	Qty:
Work Order:	
Ref:	
Customer:	
Cust. PO:	
CCPL Invoice No:	State:

CONTROL COMPONENTS PTY LTD

CONDITIONS:
THIS DRAWING IS OUR EXCLUSIVE PROPERTY & MUST NOT BE COPIED OR HANDED TO ANY OTHER PARTIES WITHOUT WRITTEN PERMISSION. IT SHALL BE RETURNED UPON REQUEST.

UNIT 19, 15-23 KUMULLA ROAD
MIRANDA NSW 2228

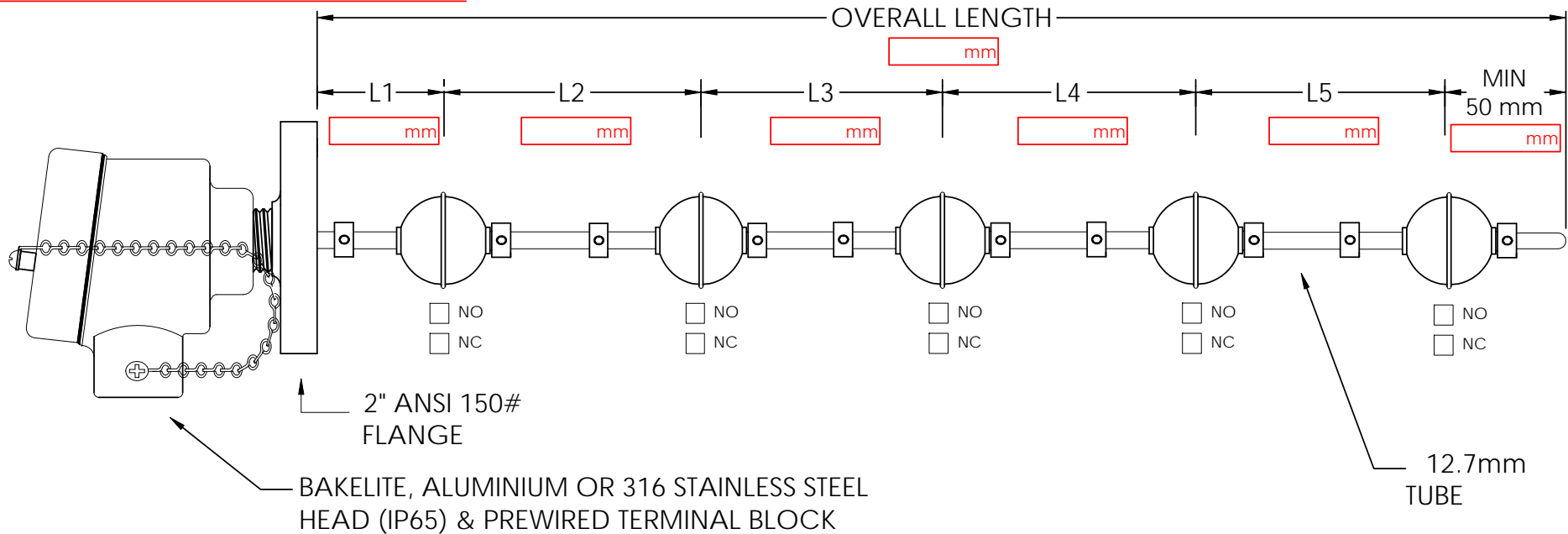
PHONE: 02 9542 8977
FAX: 02 9542 7978
EMAIL: HELP@CONTROLCOMPONENTS.COM.AU



TITLE: 1→5 station level switch with small floats

REGISTRY	SCANNED	SIZE: A4	DATE: 31-08-12	REV.6.0
		SCALE: NTS	DRAWN BY: BGM	CCS-X-FL-1/4BH

NOTE: MINIMUM DISTANCE BETWEEN FLOATS IS 75mm



- STANDARD** - NO or NC CONTACT RATED @ 32V AC/DC @ 500mA RESISTIVE LOAD
- STANDARD** - INDIVIDUALLY WIRED CONTACTS (UP TO 3 FLOATS) or COMMON WIRED 4-5
- OPTION** - NO or NC CONTACT RATED @ 250V AC/DC @ 500mA RESISTIVE LOAD
- OPTION** - INDIVIDUALLY WIRED CONTACTS FOR 4-5 FLOATS
- OPTION** - 240V RATED - ALUMINIUM or STAINLESS STEEL HEAD (IP65) WITH 240V WIRING
- OPTION** - TEMPERATURE SWITCH
- OPTION** - CHANGE-OVER CONTACT RATED @ 250mA RESISTIVE LOAD

SPECIFICATIONS:

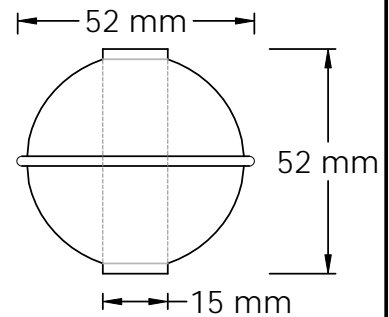
- 316L STAINLESS STEEL CONSTRUCTION
- Ø 52mm STAINLESS STEEL FLOATS
- SPECIFIC GRAVITY 0.55 (min.)
- TEMPERATURE RATING: 120°C (max.)
- PRESSURE RATING: 29.4 bar (max.)

OPTIONAL CAPABILITIES:

- UP TO 5 FLOATS PER ASSEMBLY (max. 1800mm)
- NO or NC CONTACTS RATED @ 250V AC/DC @ 500mA RESISTIVE LOAD
- WIRING VARIATIONS
- CHANGE-OVER CONTACTS RATED @ 250mA RESISTIVE LOAD
- SPECIAL THREADS, FLANGES & LENGTHS AVAILABLE

Serial No:	Qty:
Work Order:	
Ref:	
Customer:	
Cust. PO:	
CCPL Invoice No:	State:

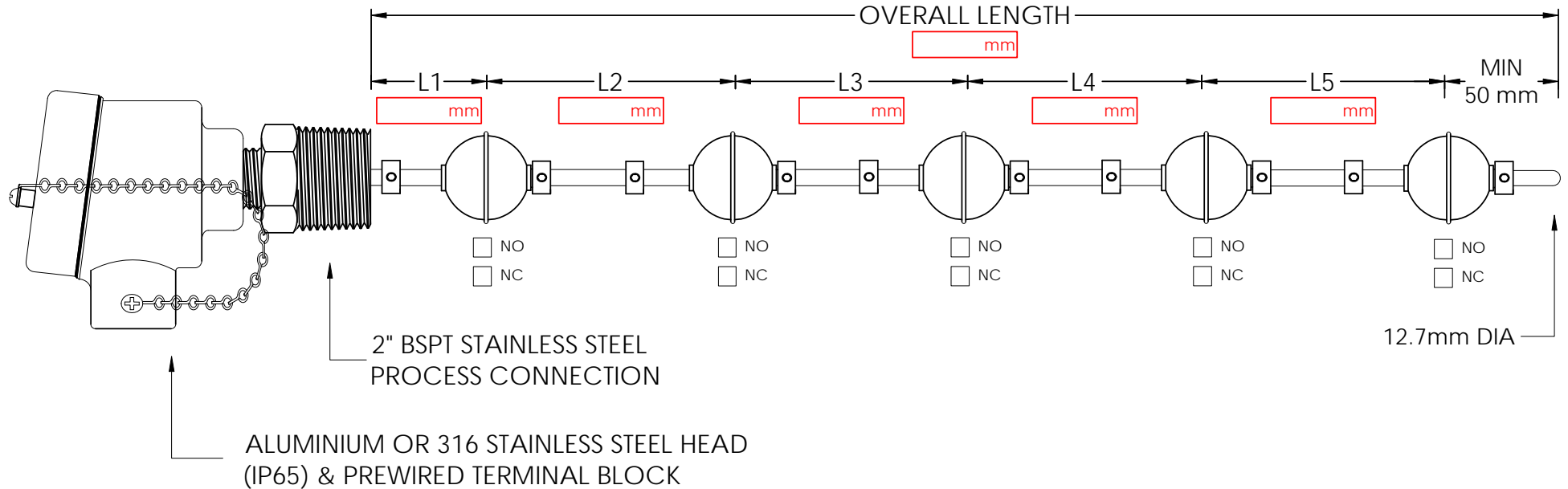
FLOAT DIMENSIONS:



CONTROL COMPONENTS PTY LTD			
<p>CONDITIONS: THIS DRAWING IS OUR EXCLUSIVE PROPERTY & MUST NOT BE COPIED OR HANDED TO ANY OTHER PARTIES WITHOUT WRITTEN PERMISSION. IT SHALL BE RETURNED UPON REQUEST.</p>		UNIT 19, 15-23 KUMULLA ROAD MIRANDA NSW 2228 PHONE: 02 9542 8977 FAX: 02 9542 7978 EMAIL: HELP@CONTROLCOMPONENTS.COM.AU	
		TITLE: 1→5 station level switch with large floats	
REGISTRY	SCANNED	SIZE: A4	DATE: 31-08-12
		SCALE: NTS	REV. 6.0
		DRAWN BY: BGM	CCL-X-JB-xxx-2D/2A



NOTE: MINIMUM DISTANCE BETWEEN FLOATS IS 75mm



- STANDARD** - NO or NC CONTACT RATED @ 32V AC/DC @ 500mA RESISTIVE LOAD
- STANDARD** - INDIVIDUALLY WIRED CONTACTS (UP TO 3 FLOATS) or COMMON WIRED 4-5
- OPTION** - NO or NC CONTACT RATED @ 250V AC/DC @ 500mA RESISTIVE LOAD
- OPTION** - INDIVIDUALLY WIRED CONTACTS FOR 4-5 FLOATS
- OPTION** - 240V RATED - ALUMINIUM or STAINLESS STEEL HEAD (IP65) WITH 240V WIRING
- OPTION** - TEMPERATURE SWITCH
- OPTION** - CHANGE-OVER CONTACT RATED @ 250mA RESISTIVE LOAD

SPECIFICATIONS:

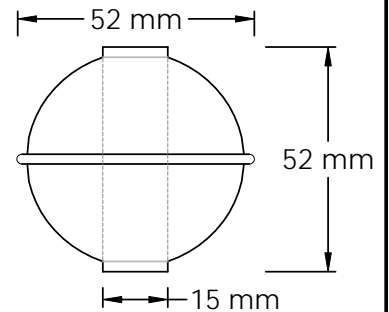
- 316L STAINLESS STEEL CONSTRUCTION
- Ø 52mm STAINLESS STEEL FLOATS
- SPECIFIC GRAVITY 0.55 (min.)
- TEMPERATURE RATING: 120°C (max.)
- PRESSURE RATING: 29.4 bar (max.)

OPTIONAL CAPABILITIES:

- UP TO 5 FLOATS PER ASSEMBLY (max. 1800mm)
- NO or NC CONTACTS RATED @ 250V AC/DC @ 500mA RESISTIVE LOAD
- WIRING VARIATIONS
- CHANGE-OVER CONTACTS RATED @ 250mA RESISTIVE LOAD
- SPECIAL THREADS, FLANGES & LENGTHS AVAILABLE

Serial No:	Qty:
Work Order:	
Ref:	
Customer:	
Cust. PO:	
CCPL Invoice No:	State:

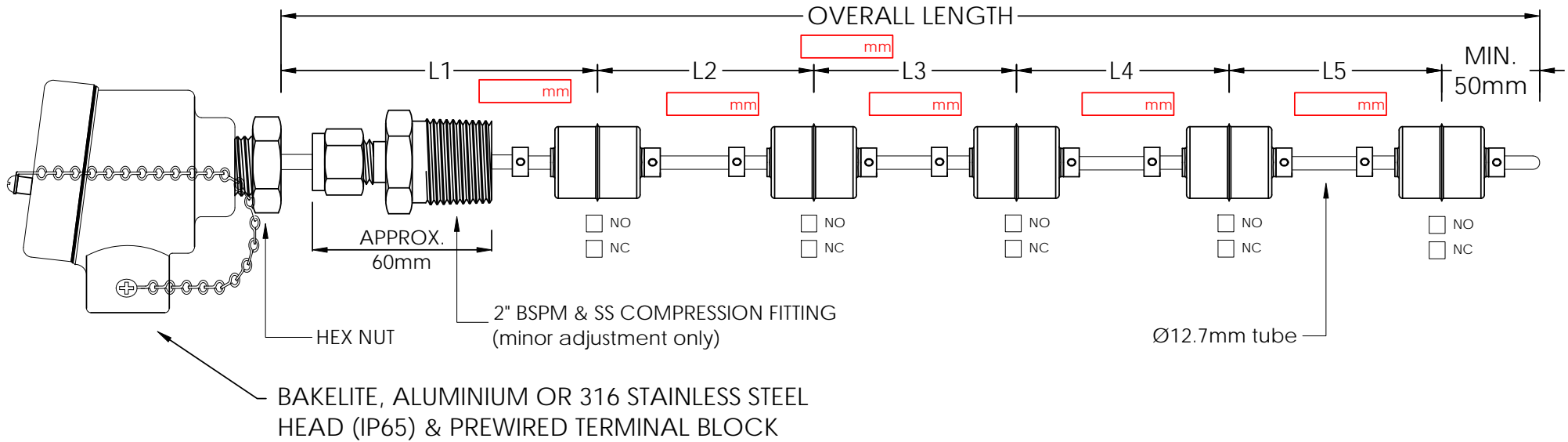
FLOAT DIMENSIONS:



CONTROL COMPONENTS PTY LTD		
<p>CONDITIONS: THIS DRAWING IS OUR EXCLUSIVE PROPERTY & MUST NOT BE COPIED OR HANDED TO ANY OTHER PARTIES WITHOUT WRITTEN PERMISSION. IT SHALL BE RETURNED UPON REQUEST.</p>	UNIT 19, 15-23 KUMULLA ROAD MIRANDA NSW 2228 PHONE: 02 9542 8977 FAX: 02 9542 7978 EMAIL: HELP@CONTROLCOMPONENTS.COM.AU	
	TITLE: 1→5 station level switch with large floats	
REGISTRY	SCANNED	SCALE: NTS
		DATE: 31-08-12
		REV: 6.0
		DRAWN BY: BGM
		CCL-X-JB-xxx-2T



NOTE: MINIMUM DISTANCE BETWEEN FLOATS IS 78mm



- STANDARD** - NO or NC CONTACT RATED @ 32V AC/DC @ 500mA RESISTIVE LOAD
- STANDARD** - INDIVIDUALLY WIRED CONTACTS (UP TO 3 FLOATS) or COMMON WIRED 4-5
- OPTION** - NO or NC CONTACT RATED @ 250V AC/DC @ 500mA RESISTIVE LOAD
- OPTION** - INDIVIDUALLY WIRED CONTACTS FOR 4-5 FLOATS
- OPTION** - 240V RATED - ALUMINIUM or STAINLESS STEEL HEAD (IP65) WITH 240V WIRING
- OPTION** - TEMPERATURE SWITCH
- OPTION** - CHANGE-OVER CONTACT RATED @ 250mA RESISTIVE LOAD

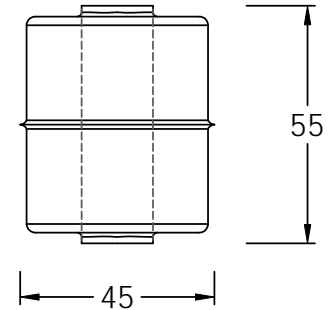
SPECIFICATIONS:

- 316L STAINLESS STEEL CONSTRUCTION
- Ø 45mm STAINLESS STEEL FLOATS
- SPECIFIC GRAVITY 0.65 (min.)
- TEMPERATURE RATING: 120°C (max.)
- PRESSURE RATING: 11.7 bar (max.)

OPTIONAL CAPABILITIES:

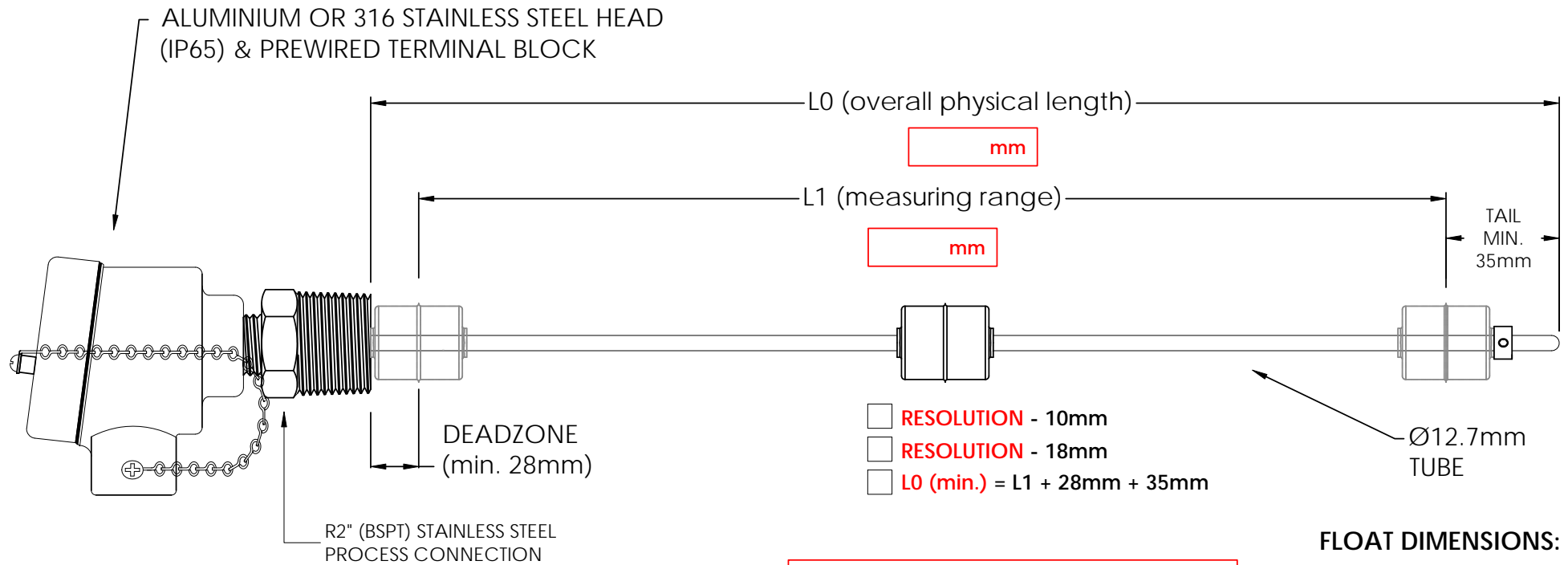
- UP TO 5 FLOATS PER ASSEMBLY (max. 1800mm)
- NO or NC CONTACTS RATED @ 250V AC/DC @ 500mA RESISTIVE LOAD
- WIRING VARIATIONS
- CHANGE-OVER CONTACTS RATED @ 250mA RESISTIVE LOAD
- SPECIAL THREADS, FLANGES & LENGTHS AVAILABLE

Float DIMENSIONS:



Serial No:	Qty:
Work Order:	
Ref:	
Customer:	
Cust. PO:	
CCPL Invoice No:	State:

CONTROL COMPONENTS PTY LTD		
<p>CONDITIONS: THIS DRAWING IS OUR EXCLUSIVE PROPERTY & MUST NOT BE COPIED OR HANDED TO ANY OTHER PARTIES WITHOUT WRITTEN PERMISSION. IT SHALL BE RETURNED UPON REQUEST.</p>	UNIT 19, 15-23 KUMULLA ROAD MIRANDA NSW 2228 PHONE: 02 9542 8977 FAX: 02 9542 7978 EMAIL: HELP@CONTROLCOMPONENTS.COM.AU	
	TITLE: 1→5 station level switch with large cylindrical floats	
REGISTRY	SCANNED	SCALE: NTS
		DATE: 31-08-12
		REV: 6.0
		DRAWN BY: BGM
		CCL2-X-JB-xxx-2CF



- RESOLUTION - 10mm
- RESOLUTION - 18mm
- L0 (min.) = L1 + 28mm + 35mm

- OPTION - LENGTHS > 2500mm ON REQUEST
- OPTION - HIRSHMAN (DIN) PLUG & SOCKET
- OPTION - TEMPERATURE SWITCH

SPECIFICATIONS:

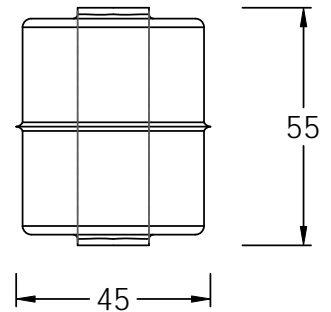
- 316L STAINLESS STEEL CONSTRUCTION
- SPECIFIC GRAVITY 0.65 (min.)
- TEMPERATURE RATING: 120°C (max.)
- PRESSURE RATING: 11.7 bar (max.)
- Ø45mm 316 STAINLESS STEEL FLOAT
- SUPPLY POWER 8-35 VDC (2 wire)

OPTIONAL CAPABILITIES:

- MAX. 2000mm LENGTH (with 10mm resolution) or 2500mm (with 18mm resolution)
- SPECIAL THREADS, FLANGE & LENGTHS AVAILABLE

Serial No: CC-	Qty:
Work Order:	
Ref:	
Customer:	
Cust. PO:	
CCPL Invoice No:	State:

FLOAT DIMENSIONS:



CONTROL COMPONENTS PTY LTD

CONDITIONS:
 THIS DRAWING IS OUR EXCLUSIVE PROPERTY & MUST NOT BE COPIED OR HANDED TO ANY OTHER PARTIES WITHOUT WRITTEN PERMISSION. IT SHALL BE RETURNED UPON REQUEST.

UNIT 19, 15-23 KUMULLA ROAD
 MIRANDA NSW 2228

PHONE: 02 9542 8977
 FAX: 02 9542 7978
 EMAIL: HELP@CONTROLCOMPONENTS.COM.AU

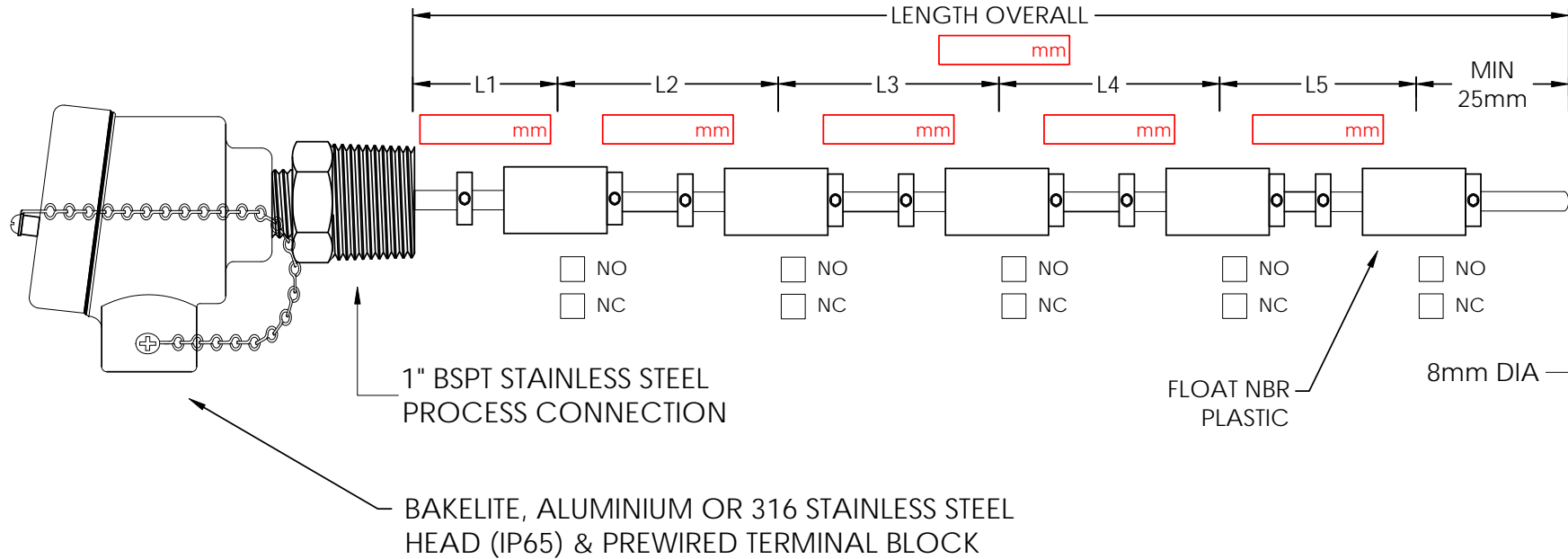


TITLE: FLOAT-TYPE LEVEL TRANSMITTER WITH ANALOGUE OUTPUT.

REGISTRY	SCANNED	SCALE: NTS	DATE: 26/02-14	DRAWN BY: BGM	REV. 7.0
			CCT-MAXx-JB-xxx-2T		

NOTE: MINIMUM DISTANCE BETWEEN FLOATS IS 50mm

EXPOSED MAGNET & BRASS COLLARS TO BE USED WITH THIS FLOAT



- STANDARD** - NO or NC CONTACT RATED @ 32V AC/DC @ 500mA RESISTIVE LOAD
- STANDARD** - INDIVIDUALLY WIRED CONTACTS (UP TO 3 FLOATS) or COMMON WIRED 4-5
- OPTION** - NO or NC CONTACT RATED @ 250V AC/DC @ 500mA RESISTIVE LOAD
- OPTION** - INDIVIDUALLY WIRED CONTACTS FOR 4-5 FLOATS
- OPTION** - TEMPERATURE SWITCH
- OPTION** - CHANGE-OVER CONTACT RATED @ 250mA RESISTIVE LOAD

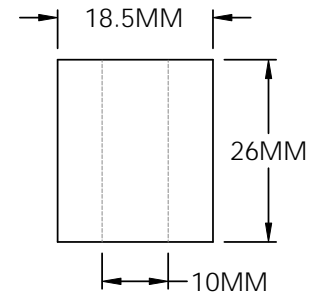
SPECIFICATIONS:

- 316L STAINLESS STEEL & BRASS CONSTRUCTION
- Ø 18.5mm BUNA-N FLOATS
- SPECIFIC GRAVITY 0.5 (min.)
- TEMPERATURE RATING: 100°C (max.)
- PRESSURE RATING: Atmosphere (max.)

OPTIONAL CAPABILITIES:

- UP TO 5 FLOATS PER ASSEMBLY (max. 1800mm)
- NO or NC CONTACTS RATED @ 250V AC/DC @ 500mA RESISTIVE LOAD
- WIRING VARIATIONS
- CHANGE-OVER CONTACTS RATED @ 250mA RESISTIVE LOAD
- SPECIAL THREADS, FLANGES & LENGTHS AVAILABLE

FLOAT DIMENSIONS



Serial No:	Qty:
Work Order:	
Ref:	
Customer:	
Cust. PO:	
CCPL Invoice No:	State:

CONTROL COMPONENTS PTY LTD

CONDITIONS:
 THIS DRAWING IS OUR EXCLUSIVE PROPERTY & MUST NOT BE COPIED OR HANDED TO ANY OTHER PARTIES WITHOUT WRITTEN PERMISSION. IT SHALL BE RETURNED UPON REQUEST.

UNIT 19, 15-23 KUMULLA ROAD
 MIRANDA NSW 2228

PHONE: 02 9542 8977
 FAX: 02 9542 7978
 EMAIL: HELP@CONTROLCOMPONENTS.COM.AU

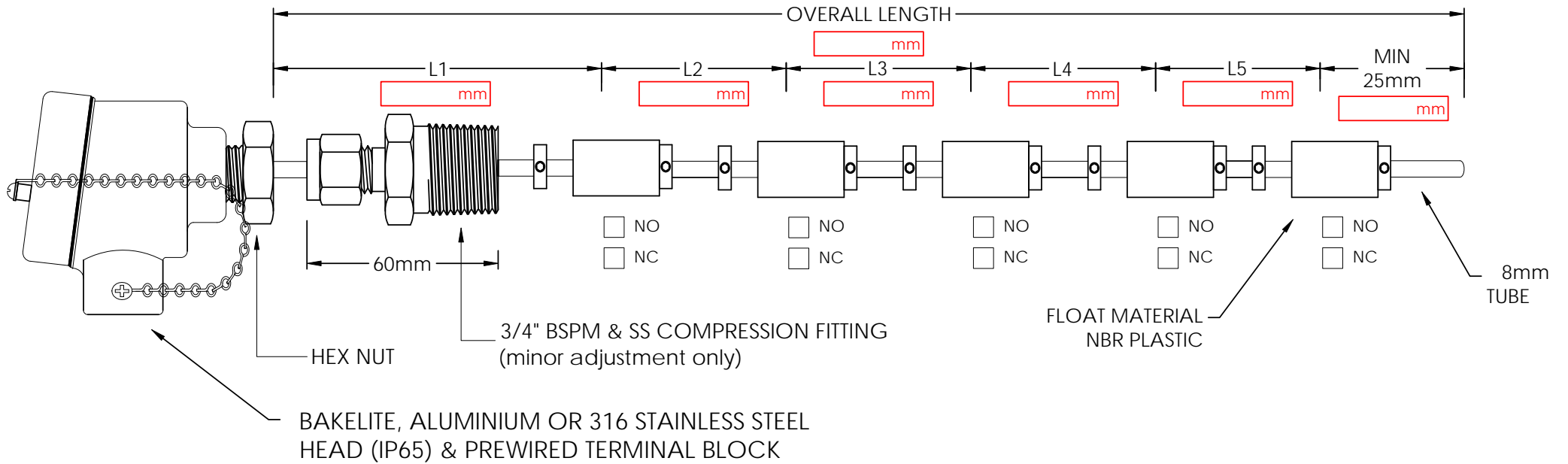


TITLE: 1→5 station level switch with small floats

REGISTRY	SCANNED	SIZE: A4	DATE: 31-08-12	REV. 6.0
		SCALE: NTS	DRAWN BY: BGM	CCSP-1 to 5-JB-xxx-1T

NOTE: MINIMUM DISTANCE BETWEEN FLOATS IS 50mm

EXPOSED MAGNET & BRASS COLLARS TO BE USED WITH THIS FLOAT



- STANDARD** - NO or NC CONTACT RATED @ 32V AC/DC @ 500mA RESISTIVE LOAD
- STANDARD** - INDIVIDUALLY WIRED CONTACTS (UP TO 3 FLOATS) or COMMON WIRED 4-5
- OPTION** - NO or NC CONTACT RATED @ 250V AC/DC @ 500mA RESISTIVE LOAD
- OPTION** - INDIVIDUALLY WIRED CONTACTS FOR 4-5 FLOATS
- OPTION** - TEMPERATURE SWITCH
- OPTION** - CHANGE-OVER CONTACT RATED @ 250mA RESISTIVE LOAD

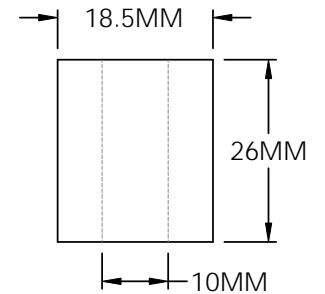
SPECIFICATIONS:

- 316L STAINLESS STEEL & BRASS CONSTRUCTION
- Ø 18.5mm BUNA-N FLOATS
- SPECIFIC GRAVITY 0.5 (min.)
- TEMPERATURE RATING: 100°C (max.)
- PRESSURE RATING: Atmosphere (max.)

OPTIONAL CAPABILITIES:

- UP TO 5 FLOATS PER ASSEMBLY (max. 1800mm)
- NO or NC CONTACTS RATED @ 250V AC/DC @ 500mA RESISTIVE LOAD
- WIRING VARIATIONS
- CHANGE-OVER CONTACTS RATED @ 250mA RESISTIVE LOAD
- SPECIAL THREADS, FLANGES & LENGTHS AVAILABLE

FLOAT DIMENSIONS



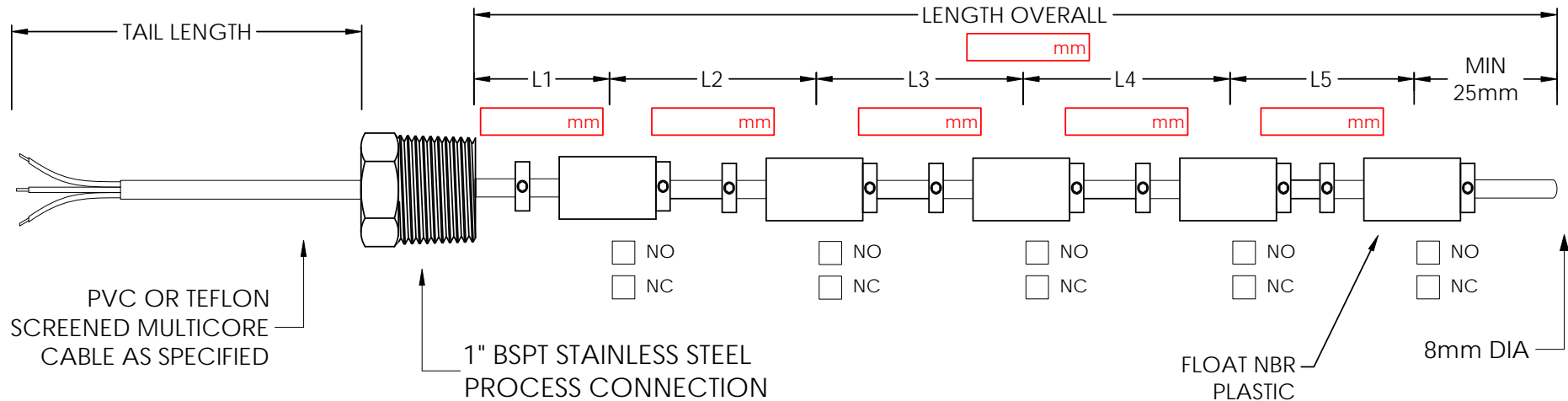
Serial No:	Qty:
Work Order:	
Ref:	
Customer:	
Cust. PO:	
CCPL Invoice No:	State:

CONTROL COMPONENTS PTY LTD			
<p>CONDITIONS: THIS DRAWING IS OUR EXCLUSIVE PROPERTY & MUST NOT BE COPIED OR HANDED TO ANY OTHER PARTIES WITHOUT WRITTEN PERMISSION. IT SHALL BE RETURNED UPON REQUEST.</p>		UNIT 19, 15-23 KUMULLA ROAD MIRANDA NSW 2228	
		PHONE: 02 9542 8977 FAX: 02 9542 7978 EMAIL: HELP@CONTROLCOMPONENTS.COM.AU	
		TITLE: 1→5 station level switch with small floats	
		SIZE: A4	DATE: 31-08-12
		SCALE: NTS	REV. 6.0
REGISTRY	SCANNED	DRAWN BY: BGM	CCSP-1 to 5-JB-xxx-0.75CF



NOTE: MINIMUM DISTANCE BETWEEN FLOATS IS 50mm

EXPOSED MAGNET & BRASS COLLARS TO BE USED WITH THIS FLOAT



- STANDARD** - NO or NC CONTACT RATED @ 32V AC/DC @ 500mA RESISTIVE LOAD
- STANDARD** - INDIVIDUALLY WIRED CONTACTS (UP TO 3 FLOATS) or COMMON WIRED 4-5
- OPTION** - NO or NC CONTACT RATED @ 250V AC/DC @ 500mA RESISTIVE LOAD
- OPTION** - INDIVIDUALLY WIRED CONTACTS FOR 4-5 FLOATS
- OPTION** - TEMPERATURE SWITCH
- OPTION** - CHANGE-OVER CONTACT RATED @ 250mA RESISTIVE LOAD

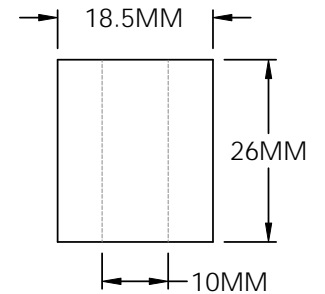
SPECIFICATIONS:

- 316L STAINLESS STEEL & BRASS CONSTRUCTION
- Ø 18.5mm BUNA-N FLOATS
- SPECIFIC GRAVITY 0.5 (min.)
- TEMPERATURE RATING: 100°C (max.)
- PRESSURE RATING: Atmosphere (max.)

OPTIONAL CAPABILITIES:

- UP TO 5 FLOATS PER ASSEMBLY (max. 1800mm)
- NO or NC CONTACTS RATED @ 250V AC/DC @ 500mA RESISTIVE LOAD
- WIRING VARIATIONS
- CHANGE-OVER CONTACTS RATED @ 250mA RESISTIVE LOAD
- SPECIAL THREADS, FLANGES & LENGTHS AVAILABLE

FLOAT DIMENSIONS



Serial No:	Qty:
Work Order:	
Ref:	
Customer:	
Cust. PO:	
CCPL Invoice No:	State:

CONTROL COMPONENTS PTY LTD

CONDITIONS:
 THIS DRAWING IS OUR EXCLUSIVE PROPERTY & MUST NOT BE COPIED OR HANDED TO ANY OTHER PARTIES WITHOUT WRITTEN PERMISSION. IT SHALL BE RETURNED UPON REQUEST.

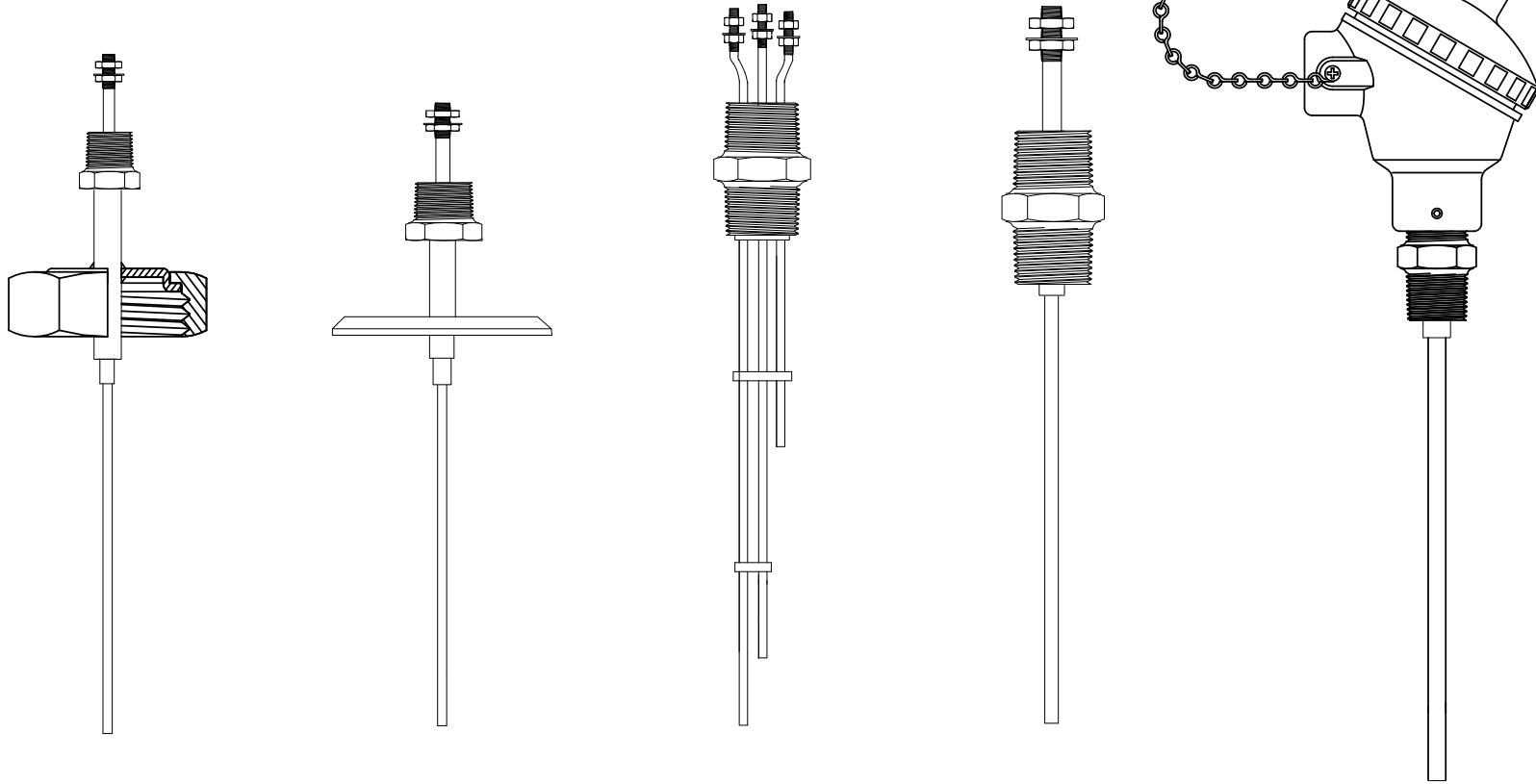
UNIT 19, 15-23 KUMULLA ROAD
 MIRANDA NSW 2228

PHONE: 02 9542 8977
 FAX: 02 9542 7978
 EMAIL: HELP@CONTROLCOMPONENTS.COM.AU



TITLE: 1→5 station level switch with small floats

REGISTRY	SCANNED	SIZE: A4	DATE: 31-08-12	REV. 6.0
		SCALE: NTS	DRAWN BY: BGM	CCSP-1 to 5-JB-xxx-1T



SMALL ALUMINIUM HEAD (IP65) & PREWIRED TERMINAL BLOCK

- OPTION** - SMALL STAINLESS STEEL PRE-WIRED HEAD (IP65)
- OPTION** - LARGE ALUMINIUM OR STAINLESS STEEL PRE-WIRED HEAD (IP65) FOR MULTI-PROBE APPLICATIONS

SPECIFICATIONS:

- 316L STAINLESS STEEL PROBES ($\varnothing \frac{1}{8}$ " or $\frac{3}{16}$ " or $\frac{1}{4}$ " standard)
- REQUIRES 24V AC/DC LEVEL CONTROLLER FOR SINGLE POINT LEVEL
- MEDIA **MUST** BE CONDUCTIVE
- TEMPERATURE RATING: 50°C (max.)
- PRESSURE RATING: atmospheric(max.) - NON-PRESSURE APPLICATIONS

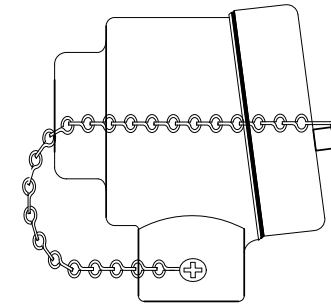
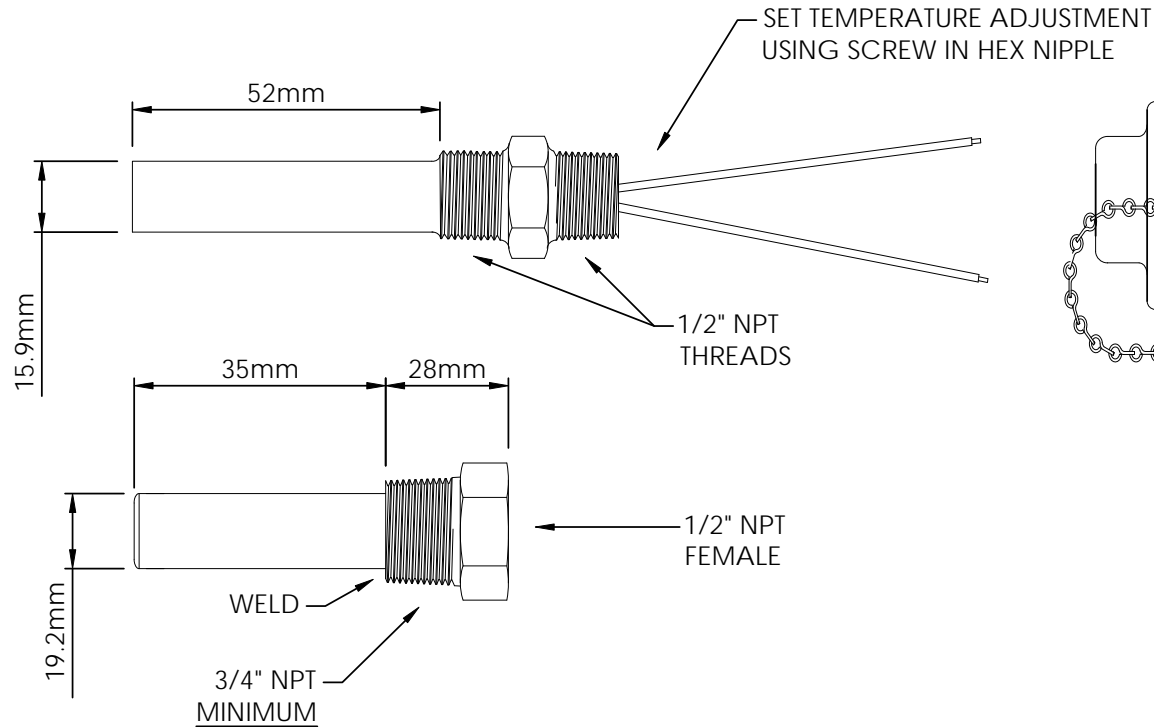
OPTIONAL CAPABILITIES:

- MULTIPLE PROBES FOR MULTI-STAGE SENSING
- 240V CONTROLLER
- WIRING VARIATIONS
- SPECIAL THREADS, FLANGES & LENGTHS AVAILABLE
- CONTACT US ABOUT PRESSURISED APPLICATIONS

Serial No:		State:	
Work Order:		Customer:	
Ref:		Cust. PO:	
CCPL Invoice No:			

CONTROL COMPONENTS PTY LTD					
<p>CONDITIONS: THIS DRAWING IS OUR EXCLUSIVE PROPERTY & MUST NOT BE COPIED OR HANDED TO ANY OTHER PARTIES WITHOUT WRITTEN PERMISSION. IT SHALL BE RETURNED UPON REQUEST.</p>		UNIT 19, 15-23 KUMULLA ROAD MIRANDA NSW 2228			
		PHONE: 02 9542 8977 FAX: 02 9542 7978 EMAIL: HELP@CONTROLCOMPONENTS.COM.AU			
REGISTRY SCANNED		TITLE: Conductivity level probe - teflon insulated.			
		SIZE: A4	DATE: 31-08-12	REV. 6.0	
		SCALE: NTS	DRAWN BY: BGM	CCPRX-HRH-X-JB-xxx	





- STANDARD - NO SWITCH
- STANDARD - NC SWITCH
- OPTION - LONGER FIBREGLASS LEADS (SPECIFY) mm
- OPTION - 240VAC APPLICATION
- OPTION - THERMOCOUPLE HEAD
- OPTION - 316SS THERMOWELL
- OPTION - FACTORY SET (SPECIFY) °C

SPECIFICATIONS:

- TEMPERATURE DIFFERENTIAL AS LOW AS 1°C IN IDEAL CONDITIONS
- BRASS
- ADJUSTABLE RANGE 0 - 250°C
- CARTRIDGE WILL FIT INTO A 16mm HOLE
- RATED UP TO 240VAC 1,200W (5A RESISTIVE LOADS)
- 2 x FIBREGLASS LEADS (150mm LENGTH)

Serial No:	Qty:
Work Order:	
Ref:	
Customer:	
Cust. PO:	
CCPL Invoice No:	State:

CONTROL COMPONENTS PTY LTD

CONDITIONS:
 THIS DRAWING IS OUR EXCLUSIVE PROPERTY & MUST NOT BE COPIED OR HANDED TO ANY OTHER PARTIES WITHOUT WRITTEN PERMISSION. IT SHALL BE RETURNED UPON REQUEST.

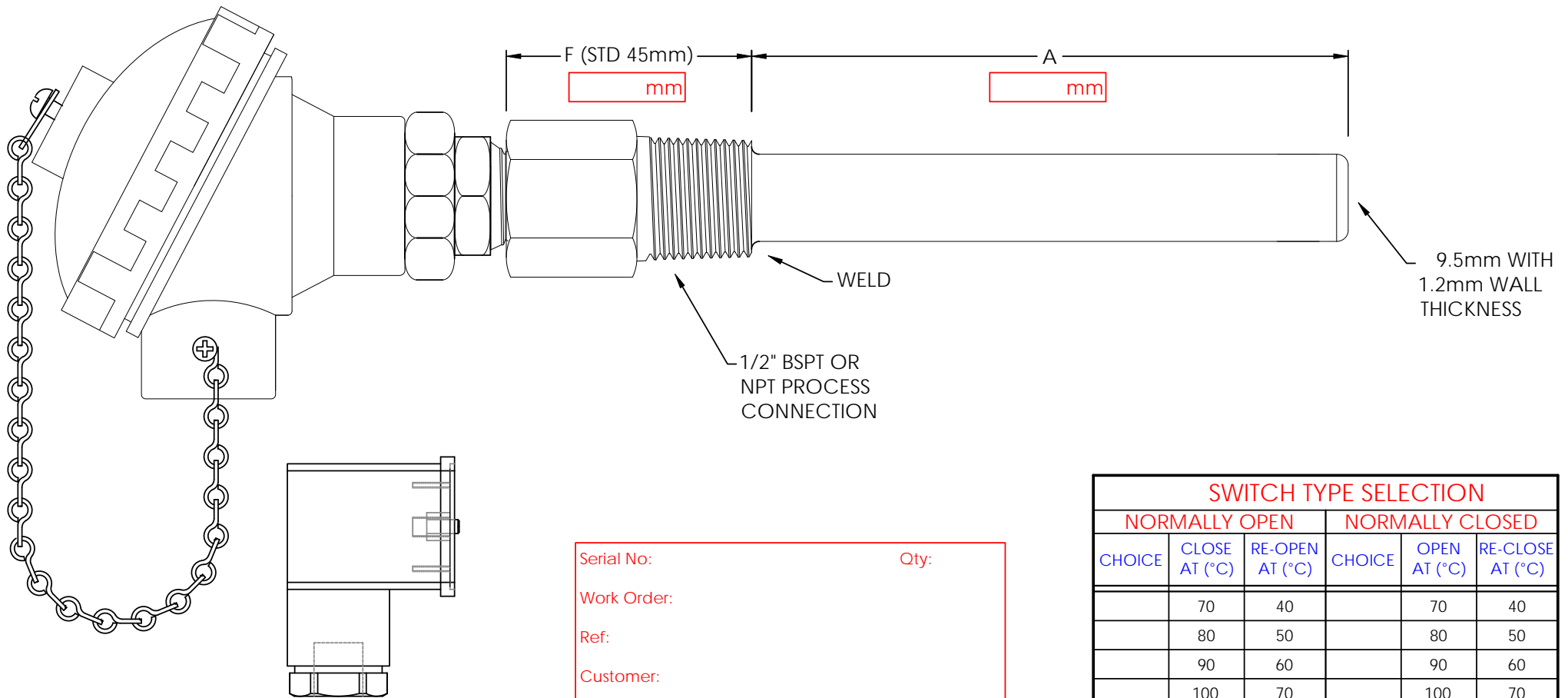
UNIT 19, 15-23 KUMULLA ROAD
 MIRANDA NSW 2228

PHONE: 02 9542 8977
 FAX: 02 9542 7978
 EMAIL: HELP@CONTROLCOMPONENTS.COM.AU



TITLE: Cartridge adjustable thermostat (0 - 250°C).

REGISTRY	SCANNED	SIZE: A4	DATE: 31-08-12	REV: 1.1
		SCALE: NTS	DRAWN BY: BGM	CC-CTS



Serial No: _____ Qty: _____

Work Order: _____

Ref: _____

Customer: _____

Cust. PO: _____

CCPL Invoice No: _____ State: _____

SPECIFICATIONS:

- 316L STAINLESS STEEL CONSTRUCTION
- TEMPERATURE RATING: 10% ABOVE HIGHEST SWITCH POINT (max.)
- PRESSURE RATING: 20 bar (max.)

- STANDARD** - SPST SWITCH
- STANDARD** - DIN43650A PLUG (IP65)
- STANDARD** - SMALL ALUMINIUM HEAD (IP65)
- STANDARD** - 1/2" TAPERED THREAD CONNECTION
- STANDARD** - STAINLESS STEEL PROCESS CONNECTION & WETTED PARTS
- OPTION** - SMALL 316 STAINLESS STEEL HEAD (IP65)
- OPTION** - 1/2" PARALLEL THREAD CONNECTION
- OPTION** - 240V RATED, ALUMINIUM OR STAINLESS STEEL HEAD W/240V WIRING

SWITCH TYPE SELECTION					
NORMALLY OPEN			NORMALLY CLOSED		
CHOICE	CLOSE AT (°C)	RE-OPEN AT (°C)	CHOICE	OPEN AT (°C)	RE-CLOSE AT (°C)
	70	40		70	40
	80	50		80	50
	90	60		90	60
	100	70		100	70
	110	80		110	80
	120	90		120	90
	130	100		130	100
	140	110		140	110

CONTROL COMPONENTS PTY LTD

CONDITIONS:
 THIS DRAWING IS OUR EXCLUSIVE PROPERTY & MUST NOT BE COPIED OR HANDED TO ANY OTHER PARTIES WITHOUT WRITTEN PERMISSION. IT SHALL BE RETURNED UPON REQUEST.

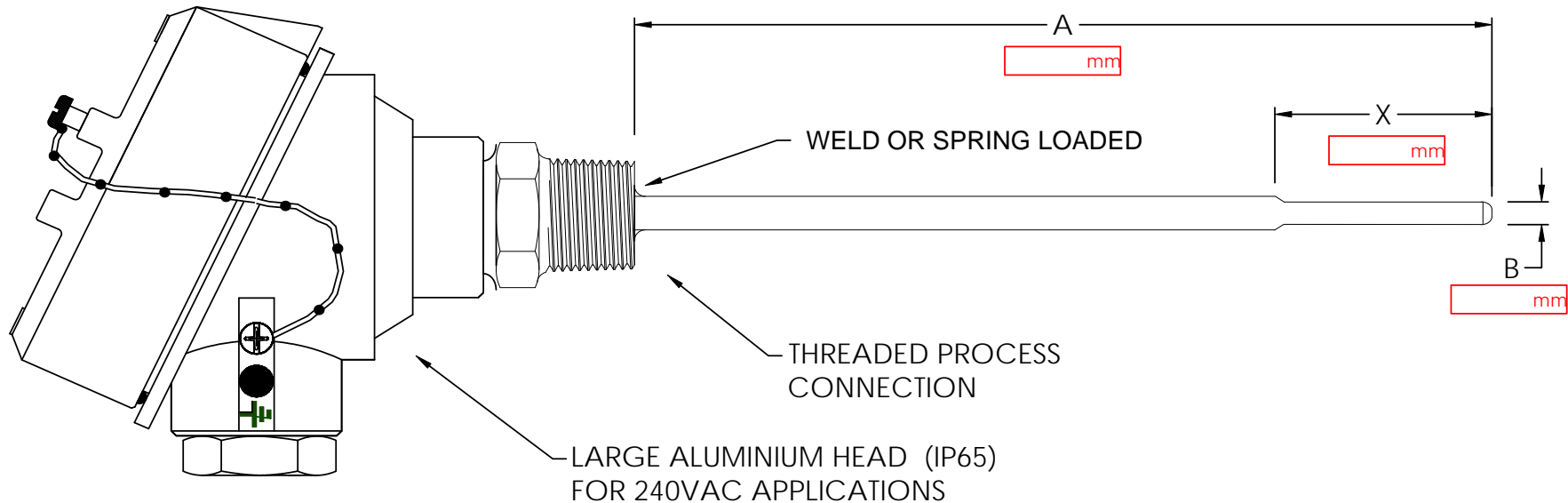
UNIT 19, 15-23 KUMULLA ROAD
 MIRANDA NSW 2228

PHONE: 02 9542 8977
 FAX: 02 9542 7978
 EMAIL: HELP@CONTROLCOMPONENTS.COM.AU

TITLE: Thermal cutout.

SIZE: A4	DATE: 31-08-12	REV: 2.1
REGISTRY	SCANNED	SCALE: NTS
		DRAWN BY: BGM
		CC-TC1-xxx-Axxx-Bxx





- STANDARD - TYPE K THERMOCOUPLE
- STANDARD - TYPE J THERMOCOUPLE
- STANDARD - TYPE T THERMOCOUPLE
- STANDARD - TYPE N THERMOCOUPLE
- STANDARD - 3 WIRE RTD PT100
- STANDARD - 4 WIRE RTD PT100
- OPTION - Ex ia (COMPLIANCE W/ANSI AS/NZS 60079.11.2006)
- OPTION - >1800mm

SPECIFICATIONS:

- 316 & 316L STAINLESS STEEL CONSTRUCTION
- TEMPERATURE RATING: 900°C (max.)
- PRESSURE RATING: 2000kPa (max.)

Serial No:	Qty:
Work Order:	
Ref:	
Customer:	
Cust. PO:	
CCPL Invoice No:	State:

CONTROL COMPONENTS PTY LTD

CONDITIONS:
 THIS DRAWING IS OUR EXCLUSIVE PROPERTY & MUST NOT BE COPIED OR HANDED TO ANY OTHER PARTIES WITHOUT WRITTEN PERMISSION. IT SHALL BE RETURNED UPON REQUEST.

UNIT 19, 15-23 KUMULLA ROAD
 MIRANDA NSW 2228
 PHONE: 02 9542 8977
 FAX: 02 9542 7978
 EMAIL: HELP@CONTROLCOMPONENTS.COM.AU



TITLE: Thermocouple temperature sensor with threaded process connection.

REGISTRY	SCANNED	SCALE: NTS	DRAWN BY: BGM
		DATE: 31-08-12	REV. 2.0
		CC-TCK-xxx	