

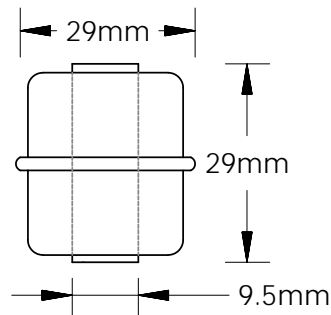
### PROCESS CAPABILITIES

- 1/8" BSPP with 17mm lock nut
- 316SS construction
- specific gravity  $\geq 0.8$
- temp rating: 120 °C max.
- pressure rating: 9.8 bar max.
- special threads & leads available
- special lengths made to order

### ELECTRICAL CAPABILITIES

- NO or NC function by reversing float
- switching capacity: 50 Watts
- switching voltage: 240VAC / 200VDC

### FLOAT DIMENSIONS:



<b>CONTROL COMPONENTS PTY LTD</b>			
<p><b>CONDITIONS:</b> THIS DRAWING IS OUR EXCLUSIVE PROPERTY &amp; MUST NOT BE COPIED OR HANDED TO ANY OTHER PARTIES WITHOUT WRITTEN PERMISSION. IT SHALL BE RETURNED UPON REQUEST.</p>		UNIT 19, 15-23 KUMULLA ROAD MIRANDA NSW 2228  PHONE: 02 9542 8977 FAX: 02 9542 7978 EMAIL: HELP@CONTROLCOMPONENTS.COM.AU	
		<p><b>TITLE:</b> Single float level switch with short stem - stock product.</p>	
SIZE: A4	DATE: 06-05-16	REV: 6.1	
REGISTRY	SCANNED	SCALE: NTS	DRAWN BY: BGM
<b>CCS-1-FL-1/8Tx - stock</b>			

