

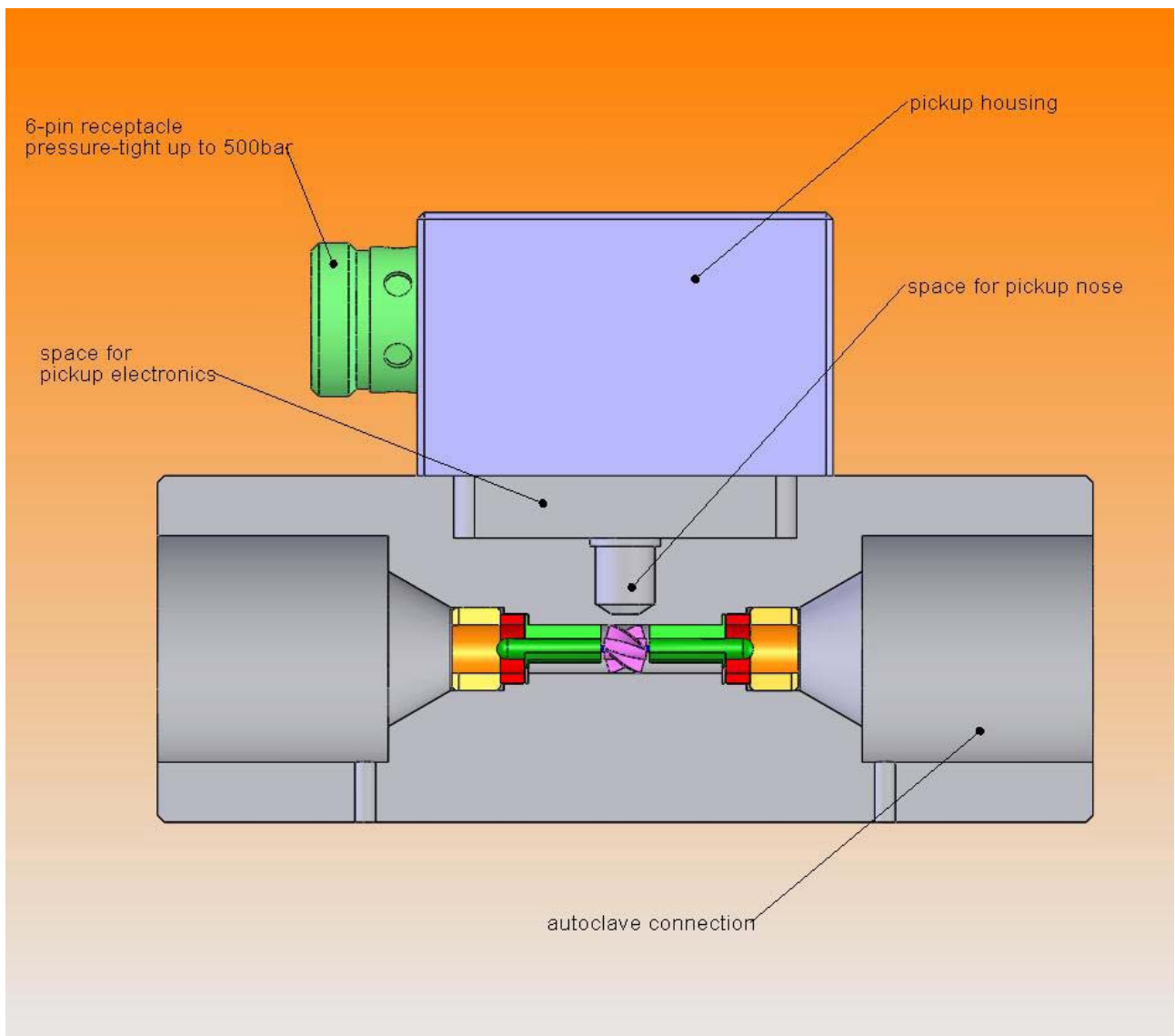
Turbine Flow Meters for Subsea Applications



Küppers Elektromechanik GmbH

Turbine Flow Meter

	HM 003	HM 009	HM 011
Measuring range	0.3-1.5 lpm	3.3-33 lpm	6-60 lpm
Bearings	Tungsten carbide	Tungsten carbide	Tungsten carbide
Body	SS 316 Ti	SS 316 Ti	SS 316 Ti
Rotor	SS 329	SS 329	SS 329
Connections	9/16" Autoclave	1" Autoclave	1" Autoclave
Operating pressure	1500 bar	max. 1500 bar	700 bar
External pressure	500 bar	max. 500 bar	500 bar
Temperature	max. 121°C	max. 121°C	max. 121°C
Overall length	90 mm	135 mm	140 mm
Dimensions	50 mm x 88 mm	50 mm x 88 mm	50 mm x 88 mm



Transmitter

supply voltage U_B :	+7 up to 29 VDC, controlled (incl. reverse-battery protection)
quiescent current:	< 5 mA
frequency range:	2 up to 4,000 Hz
ambient temperature:	-40 up to +125°C
housing:	stainless steel as per DIN 1.4104
electrical connection:	6-pin receptacle no. 1370046-101
	A = + U_B
	B = signal push pull
	C = 0V/ground
	F = internal ground

