

CAP-100 Series – Non-Contact, Capacitive Level Sensor

- ▶ For non-metallic containers
- ▶ Easy external mounting
- ▶ Compact – 30x45 mm (1.18" x 1.77")
- ▶ Potentiometer for sensitivity adjustment
- ▶ Power on and signal LED indicators

The CAP-100 series offers a unique level sensing solution for a wide variety of bottle types including plastic, glass and fiberglass. The non-contact sensor is ideally suited for medical applications such as waste, reagent or diluent liquids as well as dark, sticky or viscous fluids. The easy-to-calibrate sensor is available in both aqueous and non-aqueous versions and can be delivered with factory preset sensitivity for quick installation for OEM orders. The CAP-100 may also be used as a proximity sensor to detect the presence of solids such as paper or pulp.

Specifications

Performance	
Nominal Sensing Distance, Sn	0.39" (10mm)
Sensing Range	0-0.39" (0-10mm)
Repeat Accuracy - (% of Sn)	<10%
Hysteresis - (% of Sn)	<20%
Mechanical	
Enclosure Ratings	IP67, NEMA 1,3,4,6,13
Operating Temperature Range	-13°F to +158°F (-25°C to +70°C)
LED Signal Indicator	Yellow
Power On LED Indicator	Green
Potentiometer	Yes
Sensor Type	
Unshielded	L-Type, Non-Embeddable
Shielded	D-Type, Embeddable
Sensor Material	Glass Filled Nylon
Cable	78.74" (2 meter), 3 Wire PVC
Shock	30g, 11ms
Vibration	55Hz, 1mm amplitude in all planes
Electrical	
Supply Voltage	5-48 VDC
Continuous Switching Current	300 mA
Voltage Drop	<2 VDC
Current Consumption	<10 mA
Switching Frequency	100 Hz
Transient Protection	2kV, 1ms, 1 kOhm
Overload Protection	Yes
Short Circuit	Yes
Reverse Polarity Protection	Yes
Approvals	CE (Except at Frequency 803-805 MHz), RoHS

How To Order

Select a Part Number based on Fluid Properties and Sink State.

Fluid Properties	Max. Container Wall Thickness	Wet/Dry Sink	Part Number
Water Based, Conductive (unshielded sensor)	5/8"	Wet	230079
		Dry	230081
Non-Water Based, Not Conductive (shielded sensor)	3/8"	Wet	228830
		Dry	229855

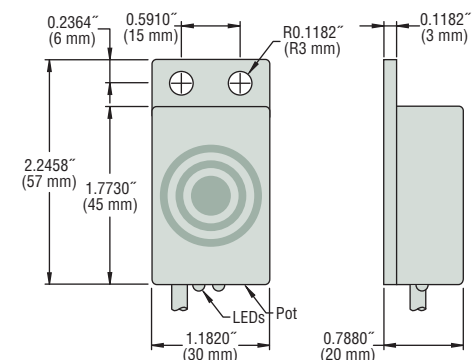


Typical Applications

Fluid Monitoring:

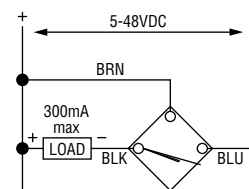
- Waste
- Reagents
- Diluent
- Detergent/Wash
- Coolant
- Printing Ink

Dimensions



Wiring Diagram

Wet Sink



Dry Sink

