

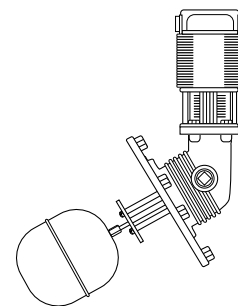
Combination Low Water Cut-Off/Pump Controllers For Steam Boilers

Series 94 & 194

Low Water Cut-Off/Pump Controllers

Replacement Head Mechanisms

For Model	Part Number	Repl. Head Model No.	Description	Weight lbs. (kg)
94, 194	165300	94-HD	Head mechanism	21 (9.52)
	166000	94-M-HD	Head mechanism, manual reset	21 (9.52)
	166400	94-7B-HD	Head mechanism with 7B switch	21 (9.52)
	166500	94-7B-M-HD	Head mechanism with 7B switch, manual reset	21 (9.52)



Series 94-HD

Components (shown on page 23)

Item Number	Part Number	Model Number	Description	Weight lbs. (kg)
1	165302	94-HDLS	Head w/o switch	15.0 (6.8)
2	345700	SA91-60	Float (includes item 3)	0.7 (.32)
3	323300	92-68	Gasket	0.1 (.05)
4	110300	5	Electric switch	3.5 (1.6)
5	110400	5-M	No. 5 w/manual reset	3.5 (1.6)
6	110800	7B	Electric switch/ proportioning control	4.0 (1.8)
7	110900	7B-M	No. 7B w/manual reset	4.0 (1.8)



Series 94

#5 Switch

1	344800	SA91-30B	Burner Switch Contact Assembly (Red dot on terminal panel) (Includes 1A terminal panel)	0.1 (.05)
2	345000	SA91-30P	Pump Switch Contact Assembly (Blue dot on terminal panel) (Includes 2A terminal panel)	0.1 (.05)

#7B Switch

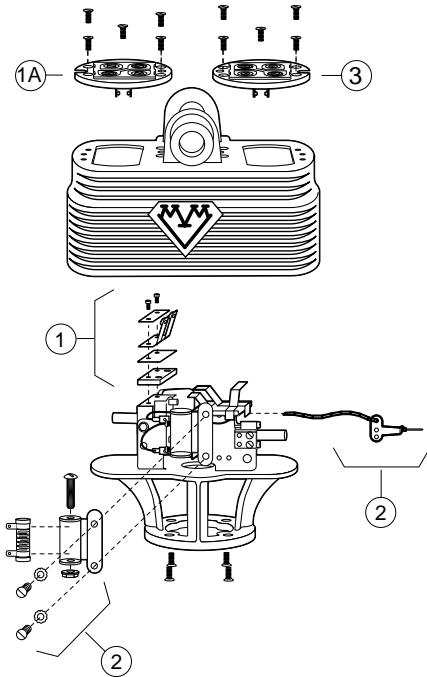
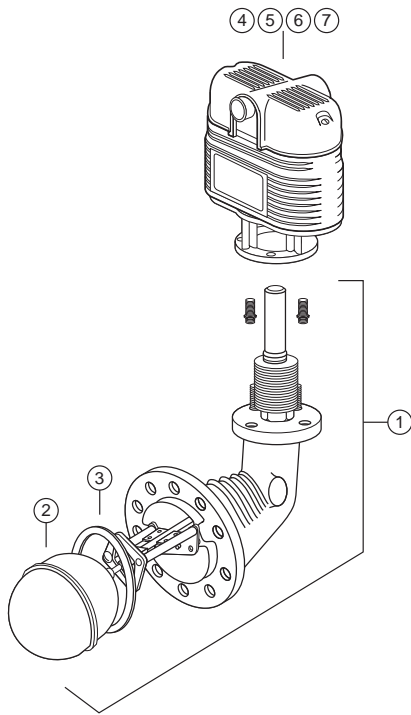
1	344800	SA91-30B	Burner Switch Contact Assembly (Red dot on terminal panel) (Includes 1A terminal panel)	0.1 (.05)
2	309000	7B-1R	Resistor/Slide Wire Assembly	0.1 (.05)
3	345150	SA7-30	Terminal Panel	0.5 (.23)



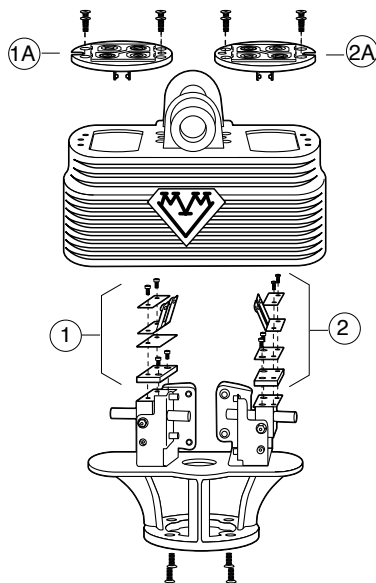
Series 194

Combination Low Water Cut-Off/ – Pump Controllers For Steam Boilers

Series 94 & 194 (continued)
Low Water Cut-Off/Pump Controllers



7B Switch



5 Switch