



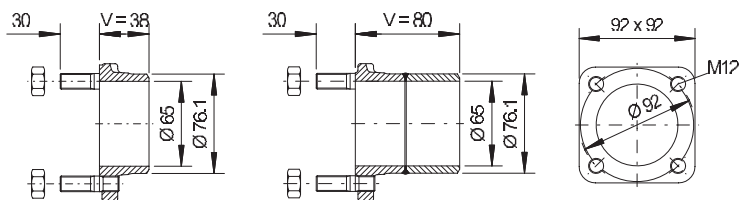
**Trimod Besta**

# Accessories

## Counterflanges with and without test actuator

The simplest method of installing any Trimod Besta level switch of the Standard Range and the Compact Switch with a square flange, is to use our standard weld-on counterflanges. There are carbon steel (P250GH) and stainless steel (1.4404) versions in two different lengths available. The test actuator allows a periodic manual function check of the level switch in operating status. The function of the switching element (microswitch, proximity switch, pneumatic valve) and movement of the float can be tested.

### Counterflange not for use with the test actuator



Type 2829.1 & 2831.3

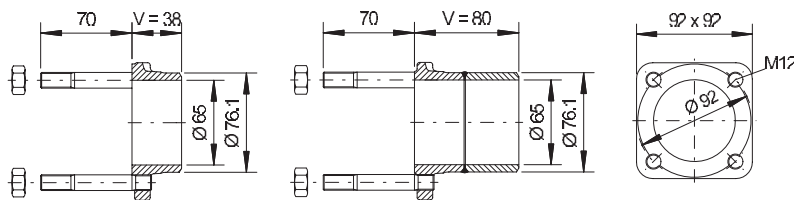
Type 2829.1V80 & 2831.3V80

Table 31

Type	Flange length	Flange material	Stud material	Stud length
2829.1	V = 38 mm	P250GH	5.8	30 mm
2831.3	V = 38 mm	1.4404	A2	30 mm
2829.1V80*	V = 80 mm	P250GH	5.8	30 mm
2831.3V80*	V = 80 mm	1.4404	A2	30 mm

\*Important: Not for use in applications on top of the tank.

### Counterflange for use with the test actuator (type 2382 & 2383)



Type 2829.2 & 2831.4

Type 2829.2V80 & 2831.4V80

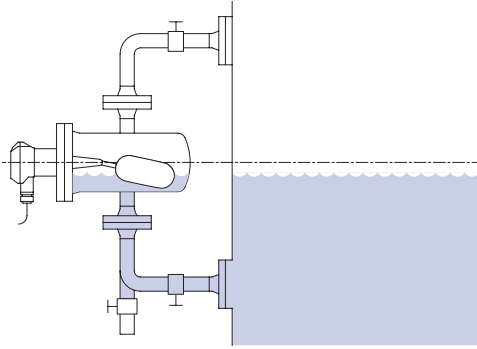
Tabelle 32

Type	Flange length	Flange material	Stud material	Stud length
2829.2	V = 38 mm	P250GH	5.8	70 mm
2831.4	V = 38 mm	1.4404	A2	70 mm
2829.2V80*	V = 80 mm	P250GH	5.8	70 mm
2831.4V80*	V = 80 mm	1.4404	A2	70 mm



## Float chambers

Wherever it is not possible or desirable to install float switches directly onto a vessel, horizontal Trimod Besta level switches can be mounted externally in a float chamber. This type of installation allows functional checks and servicing to be carried out without interrupting operation, provided that isolation and drain valves are included in the process connections.



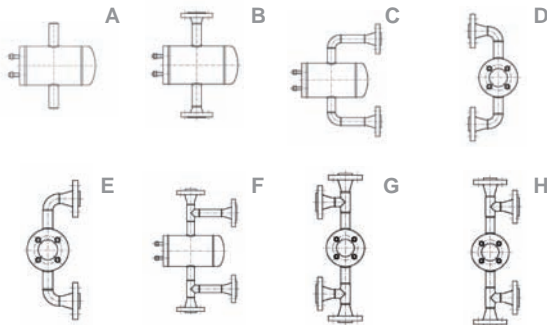
Float chambers may be divided into 2 groups.

### Standard chambers PN 25

In various steel qualities and configurations with process connection acc. to DIN or ANSI.

For use with the Trimod Besta level switches from the standard range with:

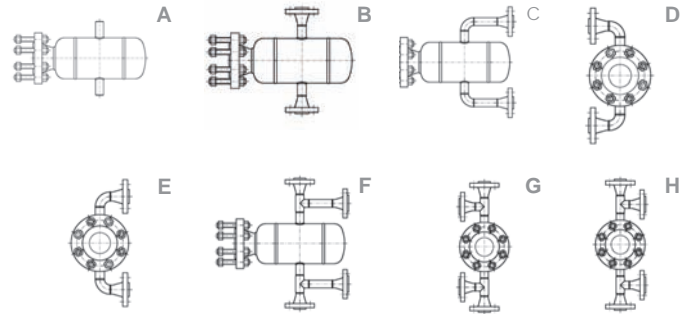
Square flange type: 01 or  
Round flange type: 011



### Industrial chambers up to PN 315 acc. to DIN or cl. 2500 acc. to ANSI

In various steel qualities and configurations with switch and process connections acc. to DIN or ANSI.

For use with the Trimod Besta level switches from the industrial range with DIN flanges DN 65 or ANSI flanges DN 3".



# BESTA

Besta Ltd.  
Ackerstrasse 45  
CH-8610 Uster, Switzerland  
Phone +41 43 399 15 15  
info@besta.ch, www.besta.ch