

OPERATING & INSTALLATION INSTRUCTIONS



LS-240-3E / LS-270E Bilge Water Level Switches

Lennox Road
Basingstoke
Hants. RG22 4AW
England
Tel: +44 1256 320244

Part Number: 907-0093

Issue: B

Please Note: The level switch is designed and manufactured in accordance with Sound Engineering Practice as defined by the Pressure Equipment Directive 97/23/EC. This level switch must not be used as a “safety accessory” as defined by the Pressure Equipment Directive, Article 1, Paragraph 2.1.3. The CE Mark on the unit does not relate to the Pressure Equipment Directive.

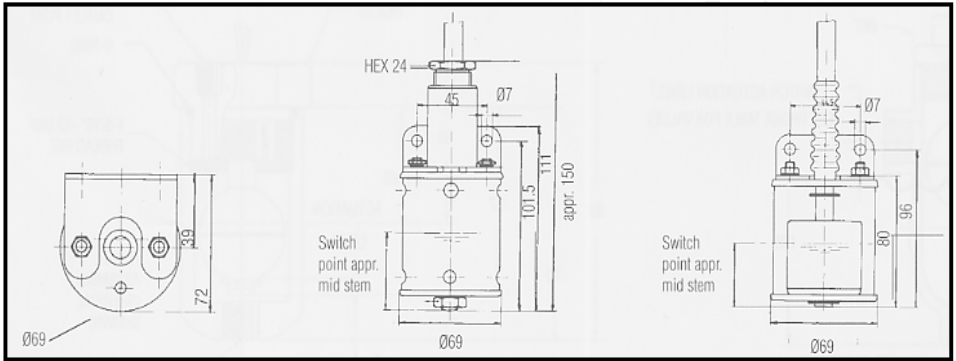
The design of Gems bilge water level switches combines reliable switching in contaminated liquids with compact dimensions. These switches have been developed for general naval and industrial applications. They have protective housings which dampen the movements and turbulence of the medium and maintain their reliable operation even if there is solid matter in the bilge water. Various civil, military and naval approvals are on hand for many of these products.



Applications

LS-240-3E: This switch has an extremely robust construction. It is perfectly suitable for applications on ships and wherever heavy mechanical loads occur. The LS-240-3E has been accepted by the Germanischer Lloyd, among others, and approved for application by the German Navy.

LS-270E: This bilge water level switch has been developed especially for low level alarms and can monitor levels as low as 35mm. As the cable is vulcanised the switch is submersible to IP67. The float can also be constructed as an interface level indicator. The LS-270E has been accepted by the Germanischer Lloyd, among others, and approved for application by the German Navy.



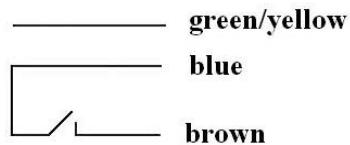
Specifications

	LS-240-3E	LS-270E
Material Stem:	Stainless Steel	Stainless Steel
Material Float:	Buna N	Buna N
Stilling Chamber:	Stainless Steel	Lucite
Bracket:	Stainless Steel	Stainless Steel
Operating Pressure:	10 bar	10 bar
Temperature -40°C to	+80°C	+80°C
Minimum Specific Gravity of the Liquid:	0.53	Standard: 0.58 Interface Level: 0.85/1
Protection Rating:	IP67	IP67
Type of Reed Switch:	SPST 100 VA	SPST 100 VA
Electrical Connection:	(Length 2m) Cable: LMGSGo 2 x 1.5mm ²	(Length 2m) Cable: CR 3x1.5mm ²
Weight:	650g	530g

Connecting Diagram



LS-240E



LS-270E



Control Components Pty Ltd

Ph: +61 2 9542 8977

Fx: +61 2 9542 7978

Em: help@ccezy.com.au

Web: www.ccezy.com.au