

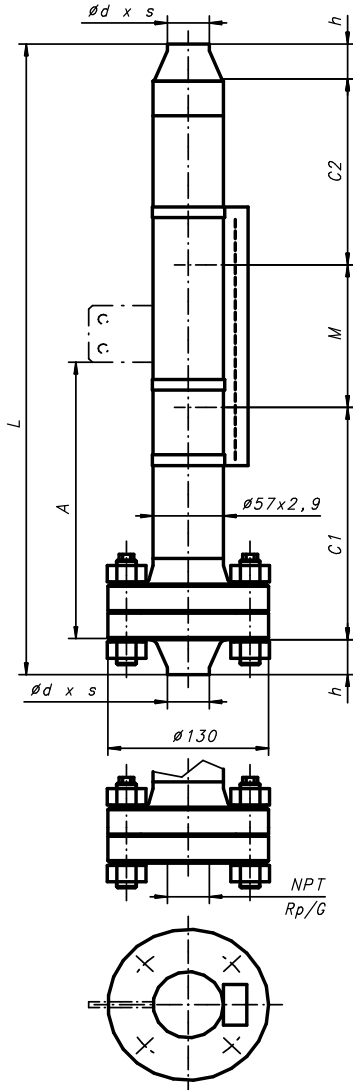
Visual Level Indicators (VLI) High Pressure - Power Series

Series	Type	Material	Pipe O.D. x s (mm)	Operating Pressure	Operating Temperature	Page
High Pressure - Power 80	36800-A	316/316L	57.0 x 2.9	max. 80bar@20°C	-10...400°C	2
"	36800-B	"	"	"	"	3
"	36800-K	"	"	"	"	4
"	36800-O	"	"	"	"	5
"	Pressure Temperature Rating for High Pressure - Power 80					6
"	Float selection diagram for High Pressure - Power 80					7
High Pressure - Power 100	26411-A	316/316L	57.0 x 2.9	max. 100bar@20°C	-10...400°C	8
"	26411-B	"	"	"	"	9
"	26411-K	"	"	"	"	10
"	26411-O	"	"	"	"	11
"	Pressure Temperature Rating for High Pressure - Power 100					12
"	Float selection diagram for High Pressure - Power 100					13
High Pressure - Power 150	25683-A	316/316L	60.33 x 3.91	max. 150bar@20°C	-10...400°C	14
"	25683-B	"	"	"	"	15
"	25683-K	"	"	"	"	16
"	25683-O	"	"	"	"	17
"	Pressure Temperature Rating for High Pressure - Power 150					18
"	Float selection diagram for High Pressure - Power 150					19
High Pressure - Power 200	32806-A	316/316L	60.33 x 5.54	max. 200bar@20°C	-10...400°C	20
"	32806-B	"	"	"	"	21
"	32806-K	"	"	"	"	22
"	32806-O	"	"	"	"	23
"	Pressure Temperature Rating for High Pressure - Power 200					24
"	Float selection diagram for High Pressure - Power 200					25
	High pressure VLI >200bar					26
	Free form data sheet for VLI >200bar					27

High Pressure - Power 80

Type: 36800-A

Design meets the requirements of PED 97/23/EC and harmonized standards



Float extension lower / upper:

	c1:	c2:
Standard	200	150
On request:	c1, c2 shorter or longer, depending on float!	

Purchase Order Data:

Company: Project:
 Purchase order no.:
 Quantity: Tag no.:

Operating Conditions

Fluid:
 Density: $\geq 0.65 \text{g/cm}^3$ g/cm^3 :
 Viscosity: $\leq 600 \text{cSt}$ cSt :
 Operating pressure: max. 80bar(g) @ 20°C *1) bar(g) :
 Design pressure: " bar(g) :
 Operating temperature: -10°C ... 400°C *1) °C:
 Design temperature: " °C:
 Connecting Distance "L": max. 5800mm (one-piece design) mm:

Design and Materials:

standard execution:
 Float chamber: 316/316L
 Float: Ti-alloy type no.:
 Bolts DIN 2510 L: 21CrMoV57-DIN17240 (double end bolt with antifatigue shaft)
 Hex nut DIN2510 NF: 21CrMoV57-DIN17240
 Option: Bolts and nuts in A2-70 (AISI 304) for operating temp. -80°C ... +300°C
 Damping spring top and bottom, 1.4401 No.: 27399
 Gaskets: fibres compound Aramid/NBR ($\leq 150^\circ\text{C}$) Standard
 pure PTFE non reinforced ($\leq 250^\circ\text{C}$)
 Graphit incl. reinforcing net in ss 316/316L ($\leq 400^\circ\text{C}$)

Process connections:

- butt weld ends acc. to ISO/EN; **21.3 x 2mm**; h = 25mm DN15:
- butt weld ends acc. to ISO/EN; **26.9 x 2mm**; h = 25mm DN20:
- butt weld ends acc. to ISO/EN; **33.7 x 2mm**; h = 30mm DN25:
- butt weld ends acc. to ANSI B.36.10; **21.34 x 2.77mm**; h = 38mm 1/2" (Sch40):
- butt weld ends acc. to ANSI B.36.10; **26.67 x 2.87mm**; h = 41.5mm 3/4" (Sch40):
- butt weld ends acc. to ANSI B.36.10; **33.40 x 3.38mm**; h = 44.5mm 1" (Sch40):
- female thread acc. ISO7-1 resp. ISO 228-1, without plug Rp1/2" resp. **G1/2"**:
- female thread acc. ISO7-1 resp. ISO 228-1, without plug Rp3/4" resp. **G3/4"**:
- female thread acc. ISO7-1 resp. ISO 228-1, without plug Rp1" resp. **G1"**:
- female thread acc. ANSI, without plug **NPT 1/2"**:
- female thread acc. ANSI, without plug **NPT 3/4"**:
- female thread acc. ANSI, without plug **NPT 1"**:

Other Connections

Indication Rail:

PC, IP65 ($\leq 150^\circ\text{C}$)	Flaps: red-silver	No.: 34837	Standard <input type="checkbox"/>
PC, IP68, inert gas ($\leq 150^\circ\text{C}$)	Flaps: red-silver	No.: 41008	<input type="checkbox"/>
Al/PC, IP54 ($\leq 250^\circ\text{C}$)	Flaps: red-silver	No.: 34560	<input type="checkbox"/>
Al/glass, IP54 ($\leq 400^\circ\text{C}$)	Flaps: black-silver	No.: 37100	<input type="checkbox"/>
Special	Flaps: <input type="text"/>	No.: <input type="text"/>	<input type="checkbox"/>

Accessories (installation instructions see spec. no. 20010501)

Fixation bracket no. 26936: dimension "A" [mm]:
 Magnetic switch: quantity: type:
 Transmitter: resolution [mm]: **5 / 10** type:
 measuring length M_{el} [mm]:
 Converter: type:
 Further accessories:

Test reports and certificates:

EN10204:2004-3.1 certificate for used materials of the float chamber:

Special executions and notes:

Notes:

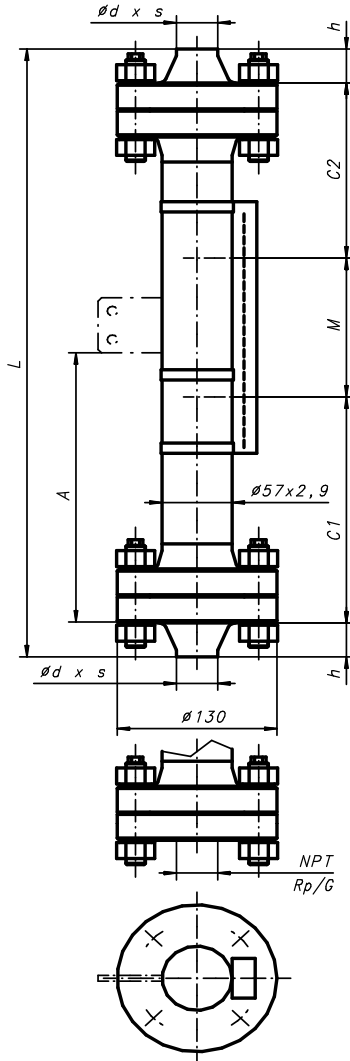
*1) Refer to pressure-temperature rating! Lowest pressure-temperature rating of any connecting flange or fitting will set the limitation!
 Test pressure will be specified according to WEKA specification AW 2.1.2.

All indicated dimensions in mm. All dimensions are only valid on VLI in standard execution.

High Pressure - Power 80

Type: 36800-B

Design meets the requirements of PED 97/23/EC and harmonized standards



Float extension lower / upper:

	c1:	c2:
Standard	200	155
On request:	c1, c2 shorter or longer, depending on float!	

Purchase Order Data:

Company: Project:
 Purchase order no.:
 Quantity: Tag no.:

Operating Conditions

Fluid:
 Density: $\geq 0.65 \text{ g/cm}^3$ g/cm^3 :
 Viscosity: $\leq 600 \text{ cSt}$ cSt :
 Operating pressure: max. 80bar(g) @ 20°C *1) bar(g) :
 Design pressure: " bar(g) :
 Operating temperature: -10°C ... 400°C *1) $^{\circ}\text{C}$:
 Design temperature: " $^{\circ}\text{C}$:
 Connecting Distance "L": max. 5800mm (one-piece design) mm :

Design and Materials:

standard execution:
 Float chamber: 316/316L
 Float: Ti-alloy type no.:
 Bolts DIN 2510 L: 21CrMoV57-DIN17240 (double end bolt with antifatigue shaft)
 Hex nut DIN2510 NF: 21CrMoV57-DIN17240
 Option: Bolts and nuts in A2-70 (AISI 304) for operating temp. -80°C ... +300°C
 Damping spring top and bottom, 1.4401 No.: 27399
 Gaskets: fibres compound Aramid/NBR ($\leq 150^{\circ}\text{C}$) Standard
 pure PTFE non reinforced ($\leq 250^{\circ}\text{C}$)
 Graphit incl. reinforcing net in ss 316/316L ($\leq 400^{\circ}\text{C}$)

Process connections:

- butt weld ends acc. to ISO/EN; **21.3 x 2mm**; h = 25mm DN15:
- butt weld ends acc. to ISO/EN; **26.9 x 2mm**; h = 25mm DN20:
- butt weld ends acc. to ISO/EN; **33.7 x 2mm**; h = 30mm DN25:
- butt weld ends acc. to ANSI B.36.10; **21.34 x 2.77mm**; h = 38mm 1/2" (Sch40):
- butt weld ends acc. to ANSI B.36.10; **26.67 x 2.87mm**; h = 41.5mm 3/4" (Sch40):
- butt weld ends acc. to ANSI B.36.10; **33.40 x 3.38mm**; h = 44.5mm 1" (Sch40):
- female thread acc. ISO7-1 resp. ISO 228-1, without plug Rp1/2" resp. **G1/2"**:
- female thread acc. ISO7-1 resp. ISO 228-1, without plug Rp3/4" resp. **G3/4"**:
- female thread acc. ISO7-1 resp. ISO 228-1, without plug Rp1" resp. **G1"**:
- female thread acc. ANSI, without plug **NPT 1/2"**:
- female thread acc. ANSI, without plug **NPT 3/4"**:
- female thread acc. ANSI, without plug **NPT 1"**:

Other Connections

Indication Rail:

PC, IP65 ($\leq 150^{\circ}\text{C}$)	Flaps: red-silver	No.: 34837	Standard <input type="checkbox"/>
PC, IP68, inert gas ($\leq 150^{\circ}\text{C}$)	Flaps: red-silver	No.: 41008	<input type="checkbox"/>
Al/PC, IP54 ($\leq 250^{\circ}\text{C}$)	Flaps: red-silver	No.: 34560	<input type="checkbox"/>
Al/glass, IP54 ($\leq 400^{\circ}\text{C}$)	Flaps: black-silver	No.: 37100	<input type="checkbox"/>
Special	Flaps: <input type="text"/>	No.: <input type="text"/>	<input type="checkbox"/>

Accessories (installation instructions see spec. no. 20010501)

Fixation bracket no. 26936: dimension "A" [mm]:
 Magnetic switch: quantity: type:
 Transmitter: resolution [mm]: **5 / 10** type:
 measuring length M_{el} [mm]:
 Converter: type:
 Further accessories:

Test reports and certificates:

EN10204:2004-3.1 certificate for used materials of the float chamber:

Special executions and notes:

Notes:

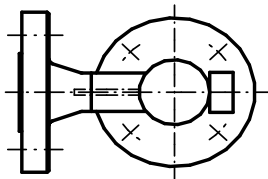
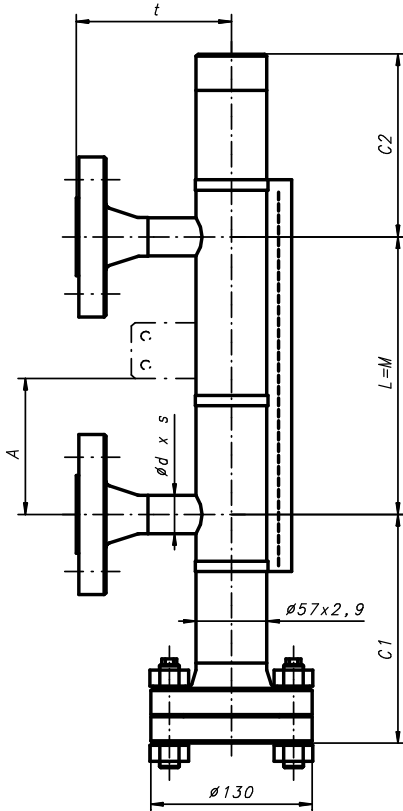
*1) Refer to pressure-temperature rating! Lowest pressure-temperature rating of any connecting flange or fitting will set the limitation!
 Test pressure will be specified according to WEKA specification AW 2.1.2.

All indicated dimensions in mm. All dimensions are only valid on VLI in standard execution.

High Pressure - Power 80

Type: 36800-K

Design meets the requirements of PED 97/23/EC and harmonized standards



Float extension lower / upper:

	c1:	c2:
Standard	200	150
On request:	c1, c2 shorter or longer, depending on float!	

Standard Flange Connections:

	DIN/EN	ANSI/ISO
Connection pieces, d*s:		
DN15:	21.3*2.65	21.34*2.77
DN20:	(26.9*2.65)	26.67*2.87
DN25:	33.7*3.25	33.40*3.38
>= DN32 *2):	33.7*3.25	33.40*3.38
Dimension t:		
DN15:	150	150
DN20:	(150)	150
DN25:	150	150
>= DN32 *2):	tba *3)	

Purchase Order Data:

Company: Project:
 Purchase order no.:
 Quantity: Tag no.:

Operating Conditions

Fluid:
 Density: $\geq 0.65 \text{g/cm}^3$ g/cm^3 :
 Viscosity: $\leq 600 \text{cSt}$ cSt :
 Operating pressure: max. 80bar(g) @ 20°C *1) bar(g) :
 Design pressure: " bar(g) :
 Operating temperature: -10°C ... 400°C *1) $^{\circ}\text{C}$:
 Design temperature: " $^{\circ}\text{C}$:
 Connecting Distance "L": max. 5600mm (one-piece design) mm :

Design and Materials:

standard execution:
 Float chamber: 316/316L
 Float: Ti-alloy type no.:
 Bolts DIN 2510 L: 21CrMoV57-DIN17240 (double end bolt with antifatigue shaft)
 Hex nut DIN2510 NF: 21CrMoV57-DIN17240
 Option: Bolts and nuts in A2-70 (AISI 304) for operating temp. -80°C ... +300°C
 Damping spring top and bottom, 1.4401 No.: 27399
 Gaskets: fibres compound Aramid/NBR ($\leq 150^{\circ}\text{C}$) Standard
 pure PTFE non reinforced ($\leq 250^{\circ}\text{C}$)
 Graphit incl. reinforcing net in ss 316/316L ($\leq 400^{\circ}\text{C}$)

Process connections:

EN-Connecting Flanges acc. EN1092-1 (Standard):
 - EN1092-1/11 B1/DNxx/PN100/316L
 - wn-flange, RF, Rz=12,5 ... 50µm, turning

ANSI/class600 (= ISO/PN100) - connecting flanges:

- ANSI/ASME B16.5 / ISO-DIS7005-1.2, type 11/B1
 - wn-flanges, RF SF, Rz=12,5 ... 50µm, turning

Other Connections

Indication Rail:

PC, IP65 ($\leq 150^{\circ}\text{C}$) Flaps: red-silver No.: 34837 Standard
 PC, IP68, inert gas ($\leq 150^{\circ}\text{C}$) Flaps: red-silver No.: 41008
 Al/PC, IP54 ($\leq 250^{\circ}\text{C}$) Flaps: red-silver No.: 34560
 Al/glass, IP54 ($\leq 400^{\circ}\text{C}$) Flaps: black-silver No.: 37100
 Special Flaps: No.:

Accessories (installation instructions see spec. no. 20010501)

Fixation bracket no. 26936: dimension "A" [mm]:
 Magnetic switch: quantity: type:
 Transmitter: resolution [mm]: 5 / 10 type:
 measuring length M_{el} [mm]:
 Converter: type:
 Further accessories:

Test reports and certificates:

EN10204:2004-3.1 certificate for used materials of the float chamber:

Special executions and notes:

Notes:

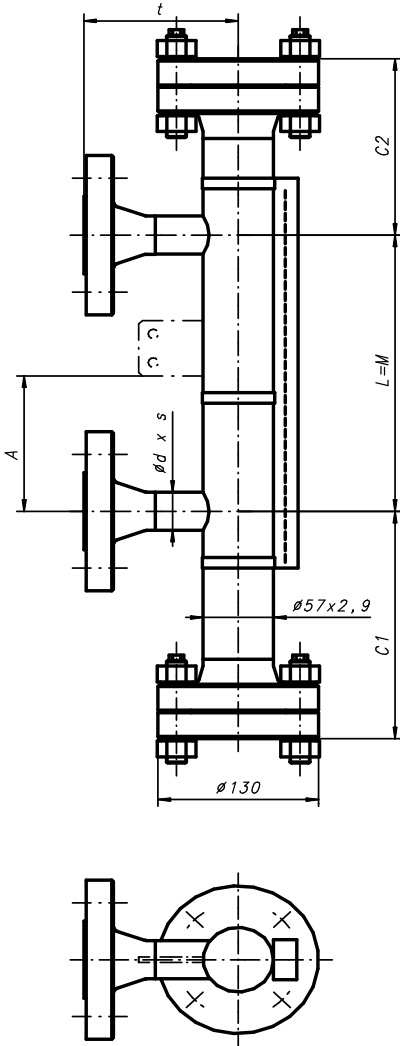
- *1) Refer to pressure-temperature rating! Lowest pressure-temperature rating of any connecting flange or fitting will set the limitation!
 Test pressure will be specified according to WEKA specification AW 2.1.2.
 *2) With special reduction flanges. *3) Depending on size of connecting flanges.

All indicated dimensions in mm. All dimensions are only valid on VLI in standard execution.

High Pressure - Power 80

Type: 36800-O

Design meets the requirements of PED 97/23/EC and harmonized standards



Purchase Order Data:

Company: Project:
 Purchase order no.:
 Quantity: Tag no.:

Operating Conditions

Fluid:
 Density: $\geq 0.65 \text{g/cm}^3$ g/cm^3 :
 Viscosity: $\leq 600 \text{cSt}$ cSt :
 Operating pressure: max. 80bar(g) @ 20°C *1) bar(g) :
 Design pressure: " bar(g) :
 Operating temperature: -10°C ... 400°C *1) $^{\circ}\text{C}$:
 Design temperature: " $^{\circ}\text{C}$:
 Connecting Distance "L": max. 5600mm (one-piece design) mm :

Design and Materials:

standard execution:
 Float chamber: 316/316L
 Float: Ti-alloy type no.:
 Bolts DIN 2510 L: 21CrMoV57-DIN17240 (double end bolt with antifatigue shaft)
 Hex nut DIN2510 NF: 21CrMoV57-DIN17240
 Option: Bolts and nuts in A2-70 (AISI 304) for operating temp. -80°C ... +300°C
 Damping spring top and bottom, 1.4401 No.: 27399
 Gaskets: fibres compound Aramid/NBR ($\leq 150^{\circ}\text{C}$) Standard
 pure PTFE non reinforced ($\leq 250^{\circ}\text{C}$)
 Graphit incl. reinforcing net in ss 316/316L ($\leq 400^{\circ}\text{C}$)

Process connections:

EN-Connecting Flanges acc. EN1092-1 (Standard): DN15:
 - EN1092-1/11 B1/DNxx/PN100/316L DN20:
 - wn-flange, RF, Rz=12,5 ... 50µm, turning DN25:

ANSI/class600 (= ISO/PN100) - connecting flanges:

- ANSI/ASME B16.5 / ISO-DIS7005-1.2, type 11/B1 ANSI 1/2" resp. ISO DN15 :
 - wn-flanges, RF SF, Rz=12,5 ... 50µm, turning ANSI 3/4" resp. ISO DN20 :
 ANSI 1" resp. ISO DN25 :

Other Connections

Float extension lower / upper:

	c1:	c2:
Standard	200	155
On request:	c1, c2 shorter or longer, depending on float!	

Standard Flange Connections:

	DIN/EN	ANSI/ISO
Connection pieces, d*s:		
DN15:	21.3*2.65	21.34*2.77
DN20:	(26.9*2.65)	26.67*2.87
DN25:	33.7*3.25	33.40*3.38
>= DN32 *2):	33.7*3.25	33.40*3.38
Dimension t:		
DN15:	150	150
DN20:	(150)	150
DN25:	150	150
>= DN32 *2):	tba *3)	

Indication Rail:

PC, IP65 ($\leq 150^{\circ}\text{C}$) Flaps: red-silver No.: 34837 Standard
 PC, IP68, inert gas ($\leq 150^{\circ}\text{C}$) Flaps: red-silver No.: 41008
 Al/PC, IP54 ($\leq 250^{\circ}\text{C}$) Flaps: red-silver No.: 34560
 Al/glass, IP54 ($\leq 400^{\circ}\text{C}$) Flaps: black-silver No.: 37100
 Special Flaps: No.:

Accessories (installation instructions see spec. no. 20010501)

Fixation bracket no. 26936: dimension "A" [mm]:
 Magnetic switch: quantity: type:
 Transmitter: resolution [mm]: 5 / 10 type:
 measuring length $M_{el.}$ [mm]:
 Converter: type:
 Further accessories:

Test reports and certificates:

EN10204:2004-3.1 certificate for used materials of the float chamber:

Special executions and notes:

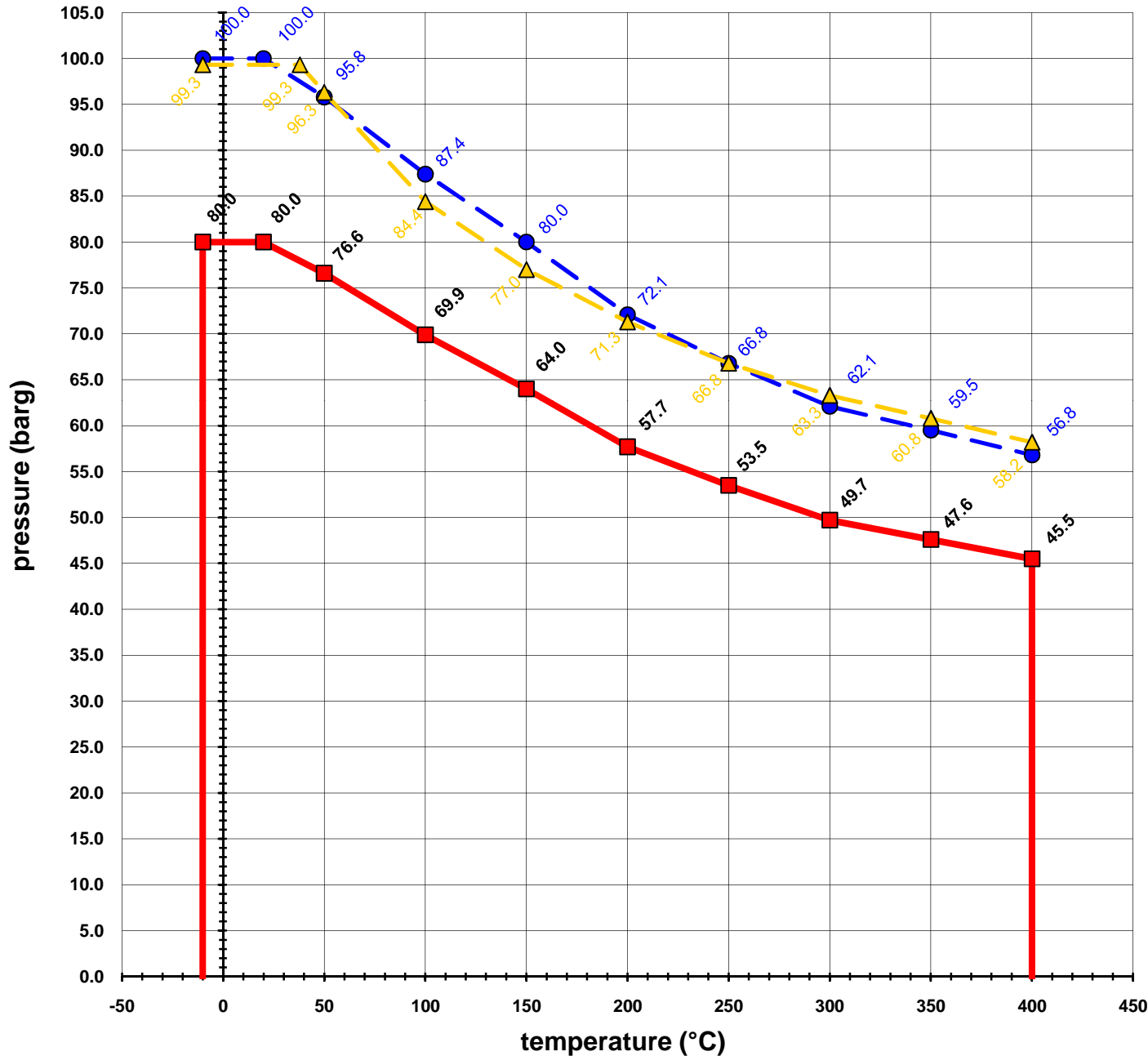
Notes:

- *1) Refer to pressure-temperature rating! Lowest pressure-temperature rating of any connecting flange or fitting will set the limitation!
 Test pressure will be specified according to WEKA specification AW 2.1.2.
- *2) With special reduction flanges.
- *3) Depending on size of connecting flanges.

All indicated dimensions in mm. All dimensions are only valid on VLI in standard execution.

Pressure-temperature-rating for VLI High Pressure - Power 80, type 36800

Max. 80bar(g) @ 20°C, up to max. 400°C for VLI bypass float chamber in SS EN 1.4401, 1.4436 / 1.4404, 1.4435 resp. ANSI 316/316L



■ VLI High-Pressure-Power PN80, all types 36800.
 Note:
 Tolerated max pressure@specified temperature of the VLI is given either by the bypass tube or by the connection flanges
 --- Lower value sets the limitation! ---

● EN 1092-1 PN100 flanges in SS 1.4404/1.4435
 Note:
 EN flanges PN64 and PN100 up to DN40 have identical interface dimensions (acc. to EN1092-1)
 --- Applied flanges are PN100! ---

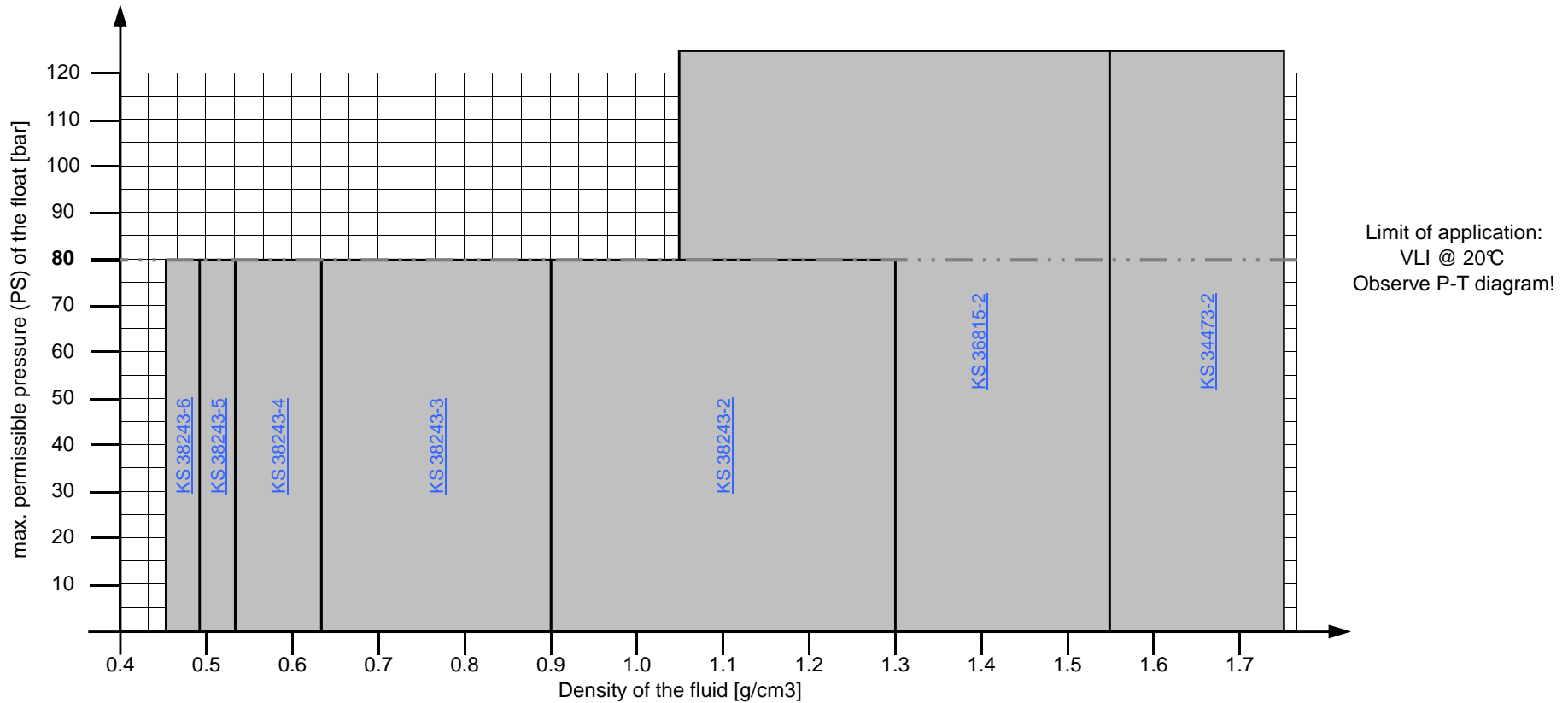
▲ ANSI class600 flanges, material group 2.2.
 Applied flanges are double certified 316/316L (acc. to ANSI/ASME B16.5 and also acc. to ISO 7005-1:1992 PN100)

Other flanges on request!

Float selection diagram

VLI Type 36800, High Pressure - Power 80

These data apply for an operating temperature of $\leq 20^\circ\text{C}$.
For higher operating temperatures, please check the max. permissible float pressure on the respective data sheet.



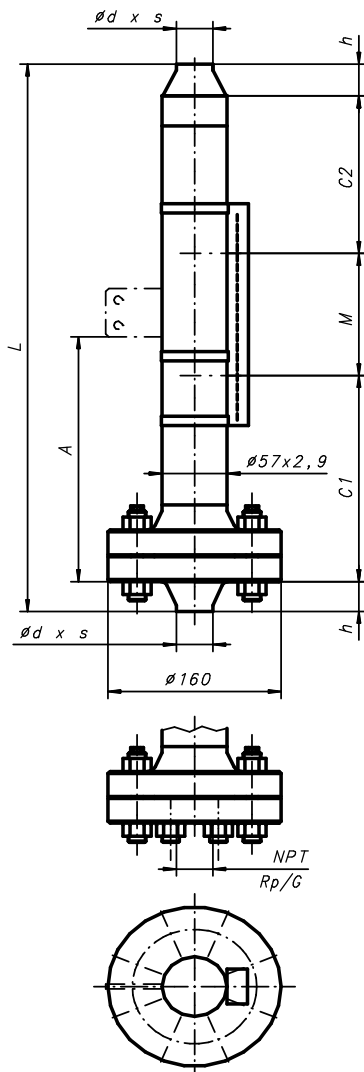
Comments:

KS = ball float Example: 34466-X = number of balls Material = Titan alloy
Interior diameter of the float chamber = 51.2mm
For steam or condensate applications, please check the use of damping springs
Additional charge for densities < 0.55g/cm3 due to extended length of bottom float extension and ball float with more than 4 balls
Additional charge for densities < 0.65g/cm3 and > 1.50g/cm3 due to ball float and possibly extended length of bottom float extension

High Pressure - Power 100

Type: 26411-A

Design meets the requirements of PED 97/23/EC and harmonized standards



Purchase Order Data:

Company: Project:
 Purchase order no.:
 Quantity: Tag no.:

Operating Conditions

Fluid:
 Density: $\geq 0.65\text{g/cm}^3$ g/cm³:
 Viscosity: $\leq 600\text{cSt}$ cSt:
 Operating pressure: max. 100bar(g) @ 20°C *1) bar(g):
 Design pressure: " bar(g):
 Operating temperature: -10°C ... 400°C *1) °C:
 Design temperature: " °C:
 Connecting Distance "L": max. 5800mm (one-piece design) mm:

Design and Materials:

standard execution:
 Float chamber: 316/316L
 Float: Ti-alloy type no.:
 Bolts DIN 2510 L: 21CrMoV57-DIN17240 (double end bolt with antifatigue shaft)
 Hex nut DIN2510 NF: 21CrMoV57-DIN17240
 Option: Bolts and nuts in A2-70 (AISI 304) for operating temp. -80°C ... +300°C
 Damping spring top and bottom, 1.4401 No.: 27399
 Gaskets: fibres compound Aramid/NBR ($\leq 150^\circ\text{C}$) Standard
 pure PTFE non reinforced ($\leq 250^\circ\text{C}$)
 Graphit incl. reinforcing net in ss 316/316L ($\leq 400^\circ\text{C}$)

Process connections:

- butt weld ends acc. to ISO/EN; **21.3 x 2mm**; h = 25mm DN15:
- butt weld ends acc. to ISO/EN; **26.9 x 2mm**; h = 25mm DN20:
- butt weld ends acc. to ISO/EN; **33.7 x 2mm**; h = 30mm DN25:
- butt weld ends acc. to ANSI B.36.10; **21.34 x 2.77mm**; h = 38mm 1/2" (Sch40):
- butt weld ends acc. to ANSI B.36.10; **26.67 x 2.87mm**; h = 41.5mm 3/4" (Sch40):
- butt weld ends acc. to ANSI B.36.10; **33.40 x 3.38mm**; h = 44.5mm 1" (Sch40):
- female thread acc. ISO7-1 resp. ISO 228-1, without plug Rp1/2" resp. **G1/2"**:
- female thread acc. ISO7-1 resp. ISO 228-1, without plug Rp3/4" resp. **G3/4"**:
- female thread acc. ISO7-1 resp. ISO 228-1, without plug Rp1" resp. **G1"**:
- female thread acc. ANSI, without plug **NPT 1/2"**:
- female thread acc. ANSI, without plug **NPT 3/4"**:
- female thread acc. ANSI, without plug **NPT 1"**:

Other Connections

Float extension lower / upper:

	c1:	c2:
Standard	200	150
On request:	c1, c2 shorter or longer, depending on float!	

Indication Rail:

PC, IP65 ($\leq 150^\circ\text{C}$)	Flaps: red-silver	No.: 34837	Standard	<input type="checkbox"/>
PC, IP68, inert gas ($\leq 150^\circ\text{C}$)	Flaps: red-silver	No.: 41008		<input type="checkbox"/>
Al/PC, IP54 ($\leq 250^\circ\text{C}$)	Flaps: red-silver	No.: 34560		<input type="checkbox"/>
Al/glass, IP54 ($\leq 400^\circ\text{C}$)	Flaps: black-silver	No.: 37100		<input type="checkbox"/>
Special	Flaps: <input type="text"/>	No.: <input type="text"/>		<input type="checkbox"/>

Accessories (installation instructions see spec. no. 20010501)

Fixation bracket no. 26936: dimension "A" [mm]:
 Magnetic switch: quantity: type:
 Transmitter: resolution [mm]: **5 / 10** type:
 measuring length M_{el} [mm]:
 Converter: type:
 Further accessories:

Test reports and certificates:

EN10204:2004-3.1 certificate for used materials of the float chamber:

Special executions and notes:

Notes:

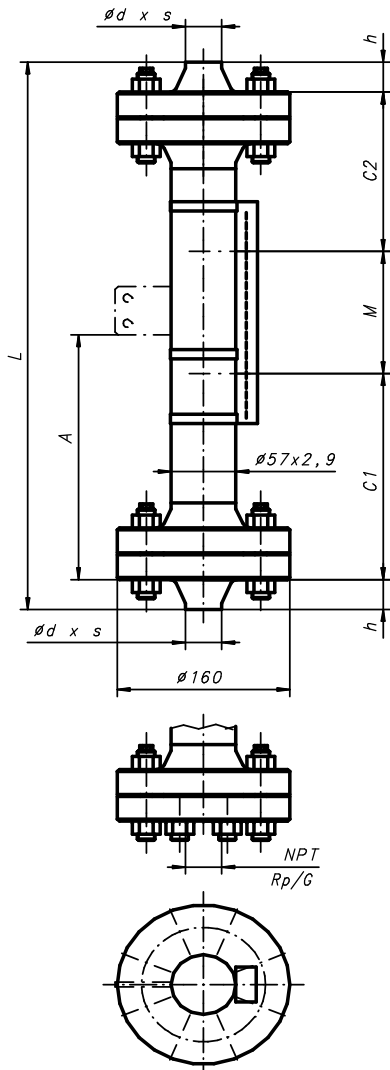
- *1) Refer to pressure-temperature rating! Lowest pressure-temperature rating of any connecting flange or fitting will set the limitation!
 Test pressure will be specified according to WEKA specification AW 2.1.2.

All indicated dimensions in mm. All dimensions are only valid on VLI in standard execution.

High Pressure - Power 100

Type: 26411-B

Design meets the requirements of PED 97/23/EC and harmonized standards



Purchase Order Data:

Company: Project:
 Purchase order no.:
 Quantity: Tag no.:

Operating Conditions

Fluid:
 Density: $\geq 0.65\text{g/cm}^3$ g/cm³:
 Viscosity: $\leq 600\text{cSt}$ cSt:
 Operating pressure: max. 100bar(g) @ 20°C *1) bar(g):
 Design pressure: " bar(g):
 Operating temperature: -10°C ... 400°C *1) °C:
 Design temperature: " °C:
 Connecting Distance "L": max. 5800mm (one-piece design) mm:

Design and Materials:

standard execution:
 Float chamber: 316/316L
 Float: Ti-alloy type no.:
 Bolts DIN 2510 L: 21CrMoV57-DIN17240 (double end bolt with antifatigue shaft)
 Hex nut DIN2510 NF: 21CrMoV57-DIN17240
 Option: Bolts and nuts in A2-70 (AISI 304) for operating temp. -80°C ... +300°C
 Damping spring top and bottom, 1.4401 No.: 27399
 Gaskets: fibres compound Aramid/NBR ($\leq 150^\circ\text{C}$) Standard
 pure PTFE non reinforced ($\leq 250^\circ\text{C}$)
 Graphit incl. reinforcing net in ss 316/316L ($\leq 400^\circ\text{C}$)

Process connections:

- butt weld ends acc. to ISO/EN; **21.3 x 2mm**; h = 25mm DN15:
- butt weld ends acc. to ISO/EN; **26.9 x 2mm**; h = 25mm DN20:
- butt weld ends acc. to ISO/EN; **33.7 x 2mm**; h = 30mm DN25:
- butt weld ends acc. to ANSI B.36.10; **21.34 x 2.77mm**; h = 38mm 1/2" (Sch40):
- butt weld ends acc. to ANSI B.36.10; **26.67 x 2.87mm**; h = 41.5mm 3/4" (Sch40):
- butt weld ends acc. to ANSI B.36.10; **33.40 x 3.38mm**; h = 44.5mm 1" (Sch40):
- female thread acc. ISO7-1 resp. ISO 228-1, without plug Rp1/2" resp. **G1/2"**:
- female thread acc. ISO7-1 resp. ISO 228-1, without plug Rp3/4" resp. **G3/4"**:
- female thread acc. ISO7-1 resp. ISO 228-1, without plug Rp1" resp. **G1"**:
- female thread acc. ANSI, without plug **NPT 1/2"**:
- female thread acc. ANSI, without plug **NPT 3/4"**:
- female thread acc. ANSI, without plug **NPT 1"**:

Other Connections

Float extension lower / upper:

	c1:	c2:
Standard	200	150
On request:	c1, c2 shorter or longer, depending on float!	

Indication Rail:

PC, IP65 ($\leq 150^\circ\text{C}$)	Flaps: red-silver	No.: 34837	Standard <input type="checkbox"/>
PC, IP68, inert gas ($\leq 150^\circ\text{C}$)	Flaps: red-silver	No.: 41008	<input type="checkbox"/>
Al/PC, IP54 ($\leq 250^\circ\text{C}$)	Flaps: red-silver	No.: 34560	<input type="checkbox"/>
Al/glass, IP54 ($\leq 400^\circ\text{C}$)	Flaps: black-silver	No.: 37100	<input type="checkbox"/>
Special	Flaps: <input type="text"/>	No.: <input type="text"/>	<input type="checkbox"/>

Accessories (installation instructions see spec. no. 20010501)

Fixation bracket no. 26936: dimension "A" [mm]:
 Magnetic switch: quantity: type:
 Transmitter: resolution [mm]: **5 / 10** type:
 measuring length M_{el} [mm]:
 Converter: type:
 Further accessories:

Test reports and certificates:

EN10204:2004-3.1 certificate for used materials of the float chamber:

Special executions and notes:

Notes:

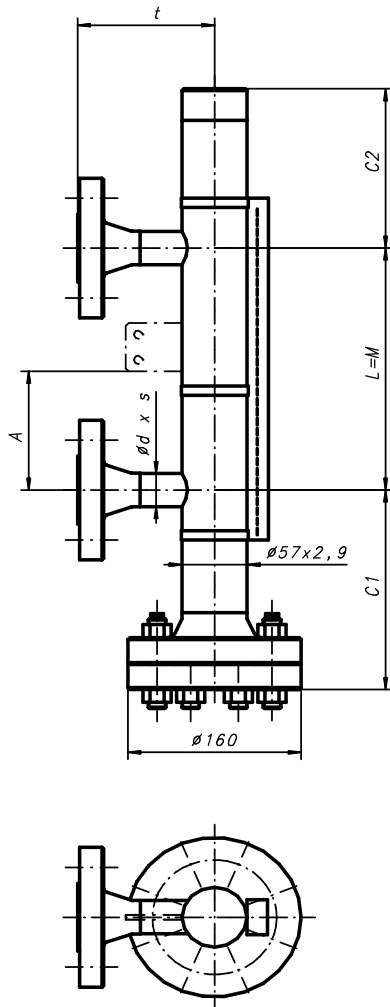
*1) Refer to pressure-temperature rating! Lowest pressure-temperature rating of any connecting flange or fitting will set the limitation!
 Test pressure will be specified according to WEKA specification AW 2.1.2.

All indicated dimensions in mm. All dimensions are only valid on VLI in standard execution.

High Pressure - Power 100

Type: 26411-K

Design meets the requirements of PED 97/23/EC and harmonized standards



Purchase Order Data:

Company: Project:
 Purchase order no.:
 Quantity: Tag no.:

Operating Conditions

Fluid:
 Density: $\geq 0.65\text{g/cm}^3$ g/cm^3 :
 Viscosity: $\leq 600\text{cSt}$ cSt :
 Operating pressure: max. 100bar(g) @ 20°C *1) bar(g) :
 Design pressure: " bar(g) :
 Operating temperature: -10°C ... 400°C *1) $^{\circ}\text{C}$:
 Design temperature: " $^{\circ}\text{C}$:
 Connecting Distance "L": max. 5600mm (one-piece design) mm :

Design and Materials:

standard execution:
 Float chamber: 316/316L
 Float: Ti-alloy type no.:
 Bolts DIN 2510 L: 21CrMoV57-DIN17240 (double end bolt with antifatigue shaft)
 Hex nut DIN2510 NF: 21CrMoV57-DIN17240
 Option: Bolts and nuts in A2-70 (AISI 304) for operating temp. -80°C ... +300°C
 Damping spring top and bottom, 1.4401 No.: 27399
 Gaskets: fibres compound Aramid/NBR ($\leq 150^{\circ}\text{C}$) Standard
 pure PTFE non reinforced ($\leq 250^{\circ}\text{C}$)
 Graphit incl. reinforcing net in ss 316/316L ($\leq 400^{\circ}\text{C}$)

Process connections:

EN-Connecting Flanges acc. EN1092-1 (Standard):
 - EN1092-1/11 B1/DNxx/PN100/316L DN15:
 - wn-flange, RF, Rz=12,5 ... 50µm, turning DN20:
 DN25:

ANSI/class600 (= ISO/PN100) - connecting flanges:

- ANSI/ASME B16.5 / ISO-DIS7005-1.2, type 11/B1 ANSI 1/2" resp. ISO DN15 :
 - wn-flanges, RF SF, Rz=12,5 ... 50µm, turning ANSI 3/4" resp. ISO DN20 :
 ANSI 1" resp. ISO DN25 :

Other Connections

Float extension lower / upper:

	c1:	c2:
Standard	200	150
On request:	c1, c2 shorter or longer, depending on float!	

Standard Flange Connections:

	DIN/EN	ANSI/ISO
Connection pieces, d*s:		
DN15:	21.3*2.65	21.34*2.77
DN20:	(26.9*2.65)	26.67*2.87
DN25:	33.7*3.25	33.40*3.38
>= DN32 *2):	33.7*3.25	33.40*3.38
Dimension t:		
DN15:	150	150
DN20:	(150)	150
DN25:	150	150
>= DN32 *2):	tba *3)	

Indication Rail:

PC, IP65 ($\leq 150^{\circ}\text{C}$) Flaps: red-silver No.: 34837 Standard
 PC, IP68, inert gas ($\leq 150^{\circ}\text{C}$) Flaps: red-silver No.: 41008
 Al/PC, IP54 ($\leq 250^{\circ}\text{C}$) Flaps: red-silver No.: 34560
 Al/glass, IP54 ($\leq 400^{\circ}\text{C}$) Flaps: black-silver No.: 37100
 Special Flaps: No.:

Accessories (installation instructions see spec. no. 20010501)

Fixation bracket no. 26936: dimension "A" [mm]:
 Magnetic switch: quantity: type:
 Transmitter: resolution [mm]: 5 / 10 type:
 measuring length M_{el} [mm]:
 Converter: type:
 Further accessories:

Test reports and certificates:

EN10204:2004-3.1 certificate for used materials of the float chamber:

Special executions and notes:

Notes:

*1) Refer to pressure-temperature rating! Lowest pressure-temperature rating of any connecting flange or fitting will set the limitation!
 Test pressure will be specified according to WEKA specification AW 2.1.2.

*2) With special reduction flanges.

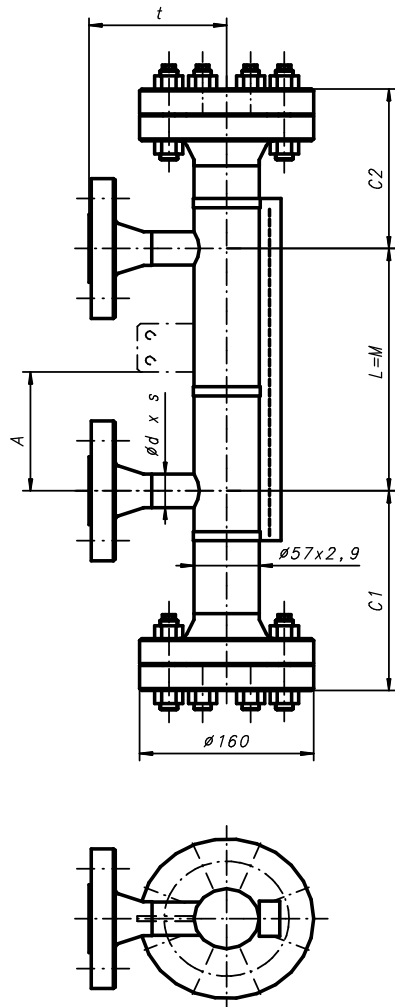
*3) Depending on size of connecting flanges.

All indicated dimensions in mm. All dimensions are only valid on VLI in standard execution.

High Pressure - Power 100

Type: 26411-O

Design meets the requirements of PED 97/23/EC and harmonized standards



Purchase Order Data:

Company: Project:
 Purchase order no.:
 Quantity: Tag no.:

Operating Conditions

Fluid:
 Density: $\geq 0.65 \text{ g/cm}^3$ g/cm^3 :
 Viscosity: $\leq 600 \text{ cSt}$ cSt :
 Operating pressure: max. 100bar(g) @ 20°C *1) bar(g) :
 Design pressure: " bar(g) :
 Operating temperature: -10°C ... 400°C *1) $^{\circ}\text{C}$:
 Design temperature: " $^{\circ}\text{C}$:
 Connecting Distance "L": max. 5600mm (one-piece design) mm :

Design and Materials:

standard execution:
 Float chamber: 316/316L
 Float: Ti-alloy type no.:
 Bolts DIN 2510 L: 21CrMoV57-DIN17240 (double end bolt with antifatigue shaft)
 Hex nut DIN2510 NF: 21CrMoV57-DIN17240
 Option: Bolts and nuts in A2-70 (AISI 304) for operating temp. -80°C ... +300°C
 Damping spring top and bottom, 1.4401 No.: 27399
 Gaskets: fibres compound Aramid/NBR ($\leq 150^{\circ}\text{C}$) Standard
 pure PTFE non reinforced ($\leq 250^{\circ}\text{C}$)
 Graphit incl. reinforcing net in ss 316/316L ($\leq 400^{\circ}\text{C}$)

Process connections:

EN-Connecting Flanges acc. EN1092-1 (Standard):
 - EN1092-1/11 B1/DNxx/PN100/316L DN15:
 - wn-flange, RF, Rz=12,5 ... 50µm, turning DN20:
 DN25:

ANSI/class600 (= ISO/PN100) - connecting flanges:

- ANSI/ASME B16.5 / ISO-DIS7005-1.2, type 11/B1 ANSI 1/2" resp. ISO DN15 :
 - wn-flanges, RF SF, Rz=12,5 ... 50µm, turning ANSI 3/4" resp. ISO DN20 :
 ANSI 1" resp. ISO DN25 :

Other Connections

Float extension lower / upper:

	c1:	c2:
Standard	200	150
On request:	c1, c2 shorter or longer, depending on float!	

Standard Flange Connections:

	DIN/EN	ANSI/ISO
Connection pieces, d*s:		
DN15:	21.3*2.65	21.34*2.77
DN20:	(26.9*2.65)	26.67*2.87
DN25:	33.7*3.25	33.40*3.38
>= DN32 *2):	33.7*3.25	33.40*3.38
Dimension t:		
DN15:	150	150
DN20:	(150)	150
DN25:	150	150
>= DN32 *2):	tba *3)	

Indication Rail:

PC, IP65 ($\leq 150^{\circ}\text{C}$) Flaps: red-silver No.: 34837 Standard
 PC, IP68, inert gas ($\leq 150^{\circ}\text{C}$) Flaps: red-silver No.: 41008
 Al/PC, IP54 ($\leq 250^{\circ}\text{C}$) Flaps: red-silver No.: 34560
 Al/glass, IP54 ($\leq 400^{\circ}\text{C}$) Flaps: black-silver No.: 37100
 Special Flaps: No.:

Accessories (installation instructions see spec. no. 20010501)

Fixation bracket no. 26936: dimension "A" [mm]:
 Magnetic switch: quantity: type:
 Transmitter: resolution [mm]: 5 / 10 type:
 measuring length M_{el} [mm]:
 Converter: type:
 Further accessories:

Test reports and certificates:

EN10204:2004-3.1 certificate for used materials of the float chamber:

Special executions and notes:

Notes:

*1) Refer to pressure-temperature rating! Lowest pressure-temperature rating of any connecting flange or fitting will set the limitation!
 Test pressure will be specified according to WEKA specification AW 2.1.2.

*2) With special reduction flanges.

*3) Depending on size of connecting flanges.

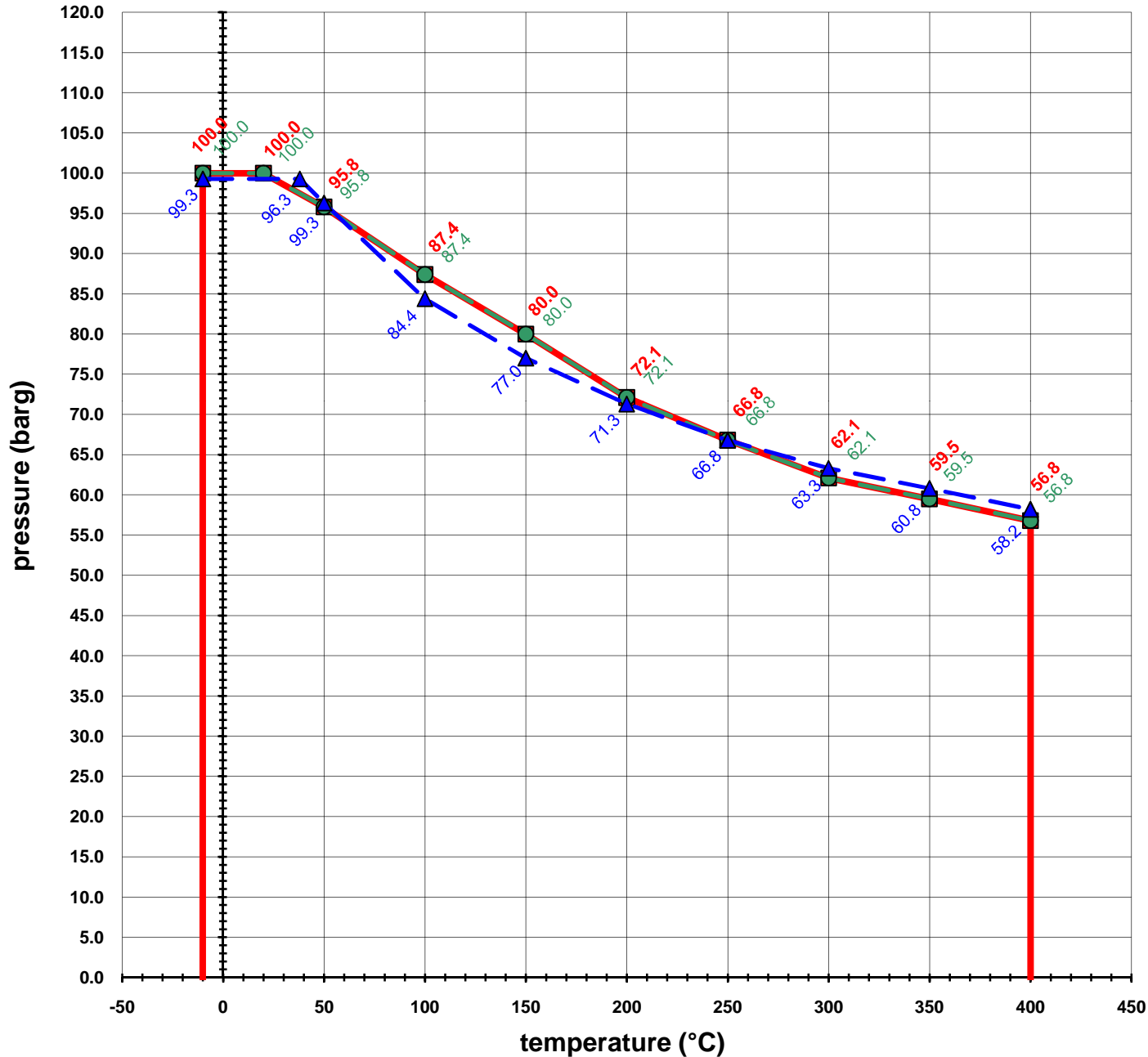
All indicated dimensions in mm. All dimensions are only valid on VLI in standard execution.



www.weka-ag.ch

Pressure-temperature-rating for VLI High Pressure - Power 100, type 26411

Max. 100bar(g) @ 20°C, up to max. 400°C for VLI bypass float chamber in SS EN 1.4401, 1.4436 / 1.4404, 1.4435 resp. ANSI 316/316L



—■— VLI High-Pressure-Power PN100, all types 26411.

Note:

Tolerated max pressure@specified temperature of the VLI is given either by the bypass tube or by the connection flanges
--- Lower value sets the limitation! ---

—●— EN 1092-1 PN100 flanges in SS 1.4404/1.4435

Note:

EN flanges PN63 and PN100 up to DN40 have identical interface dimensions (acc. to EN1092-1)
--- Applied flanges are PN100! ---

Equal graph as VLI High-Pressure-Power PN100

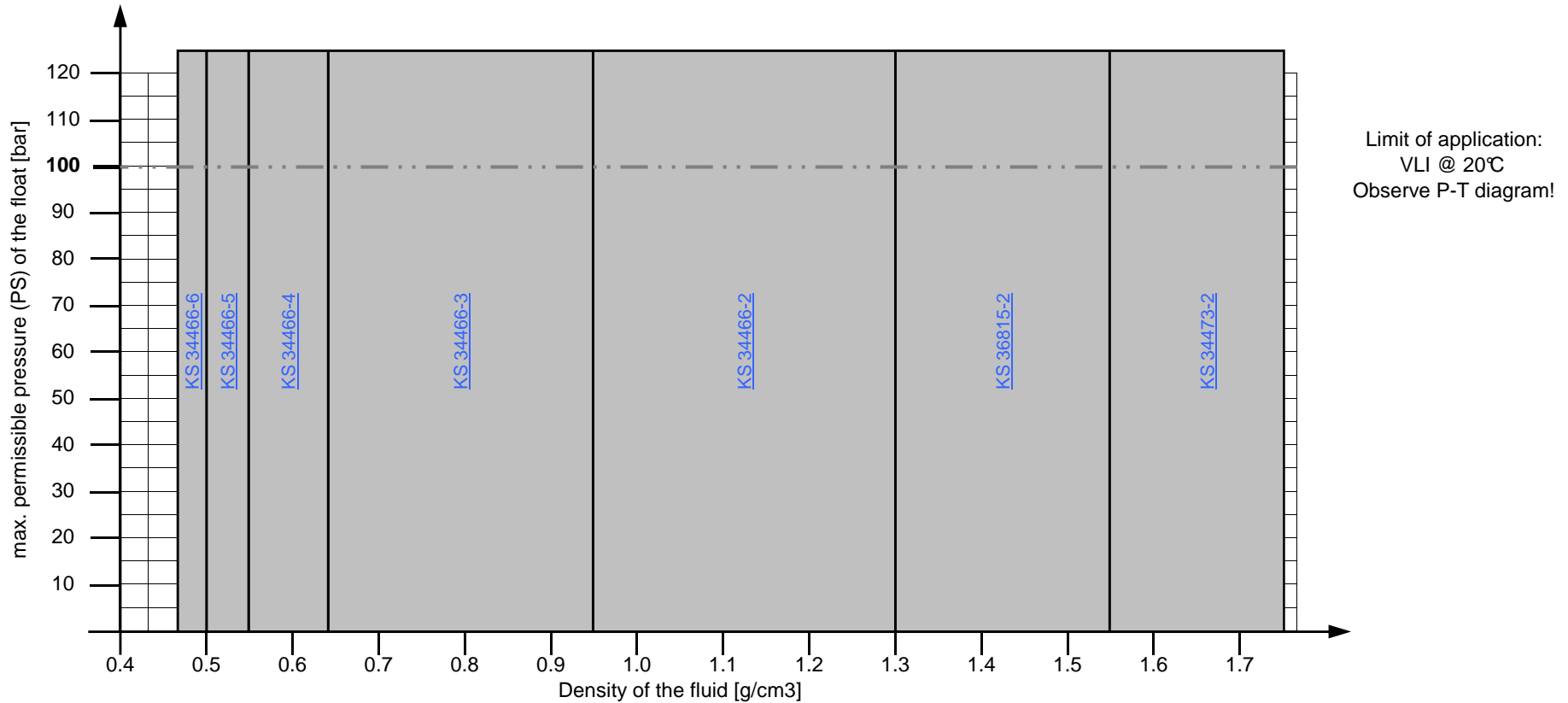
—▲— ANSI class600 flanges, material group 2.2.

Applied flanges are double certified 316/316L (acc. to ANSI/ASME B16.5 and also acc. to ISO 7005-1:1992 PN100)

Other flanges on request!

Float selection diagram VLI Type 26411, High Pressure - Power 100

These data apply for an operating temperature of $\leq 20^\circ\text{C}$.
For higher operating temperatures, please check the max. permissible float pressure on the respective data sheet.



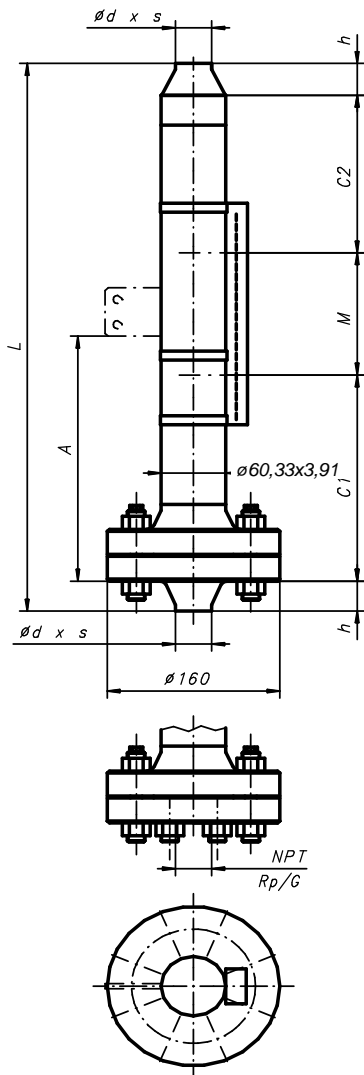
Comments:

KS = ball float Example: 36815-X = number of balls Material = Titan alloy
 Interior diameter of the float chamber = 51.2mm
 For steam or condensate applications, please check the use of damping springs
 Additional charge for densities $< 0.55\text{g/cm}^3$ due to extended length of bottom float extension and ball float with more than 4 balls
 Additional charge for densities $< 0.65\text{g/cm}^3$ and $> 1.50\text{g/cm}^3$ due to ball float and possibly extended length of bottom float extension

High Pressure - Power 150

Type: 25683-A

Design meets the requirements of PED 97/23/EC and harmonized standards



Purchase Order Data:

Company: Project:
 Purchase order no.:
 Quantity: Tag no.:

Operating Conditions

Fluid:
 Density: $\geq 0.65\text{g/cm}^3$ g/cm³:
 Viscosity: $\leq 600\text{cSt}$ cSt:
 Operating pressure: max. 150bar(g) @ 20°C *1) bar(g):
 Design pressure: " bar(g):
 Operating temperature: -10°C ... 400°C *1) °C:
 Design temperature: " °C:
 Connecting Distance "L": max. 5800mm (one-piece design) mm:

Design and Materials:

standard execution:
 Float chamber: 316/316L
 Float: Ti-alloy type no.:
 Bolts DIN 2510 L: 21CrMoV57-DIN17240 (double end bolt with antifatigue shaft)
 Hex nut DIN2510 NF: 21CrMoV57-DIN17240
 Option: Bolts and nuts in A2-70 (AISI 304) for operating temp. -80°C ... +300°C
 Damping spring top and bottom, 1.4401 No.: 27399
 Gaskets: fibres compound Aramid/NBR ($\leq 150^\circ\text{C}$) Standard
 pure PTFE non reinforced ($\leq 250^\circ\text{C}$)
 Graphit incl. reinforcing net in ss 316/316L ($\leq 400^\circ\text{C}$)

Process connections:

- butt weld ends acc. to ISO/EN; **21.3 x 2mm**; h = 25mm DN15:
- butt weld ends acc. to ISO/EN; **26.9 x 2mm**; h = 25mm DN20:
- butt weld ends acc. to ISO/EN; **33.7 x 2mm**; h = 30mm DN25:
- butt weld ends acc. to ANSI B.36.10; **21.34 x 2.77mm**; h = 38mm 1/2" (Sch40):
- butt weld ends acc. to ANSI B.36.10; **26.67 x 2.87mm**; h = 41.5mm 3/4" (Sch40):
- butt weld ends acc. to ANSI B.36.10; **33.40 x 3.38mm**; h = 44.5mm 1" (Sch40):
- female thread acc. ISO7-1 resp. ISO 228-1, without plug Rp1/2" resp. **G1/2"**:
- female thread acc. ISO7-1 resp. ISO 228-1, without plug Rp3/4" resp. **G3/4"**:
- female thread acc. ISO7-1 resp. ISO 228-1, without plug Rp1" resp. **G1"**:
- female thread acc. ANSI, without plug **NPT 1/2"**:
- female thread acc. ANSI, without plug **NPT 3/4"**:
- female thread acc. ANSI, without plug **NPT 1"**:

Other Connections

Float extension lower / upper:

	c1:	c2:
Standard	200	150
On request:	c1, c2 shorter or longer, depending on float!	

Indication Rail:

PC, IP65 ($\leq 150^\circ\text{C}$)	Flaps: red-silver	No.: 34837	Standard <input type="checkbox"/>
PC, IP68, inert gas ($\leq 150^\circ\text{C}$)	Flaps: red-silver	No.: 41008	<input type="checkbox"/>
Al/PC, IP54 ($\leq 250^\circ\text{C}$)	Flaps: red-silver	No.: 34560	<input type="checkbox"/>
Al/glass, IP54 ($\leq 400^\circ\text{C}$)	Flaps: black-silver	No.: 37100	<input type="checkbox"/>
Special	Flaps: <input type="text"/>	No.: <input type="text"/>	<input type="checkbox"/>

Accessories (installation instructions see spec. no. 20010501)

Fixation bracket no. 26936: dimension "A" [mm]:
 Magnetic switch: quantity: type:
 Transmitter: resolution [mm]: **5 / 10** type:
 measuring length M_{el} [mm]:
 Converter: type:
 Further accessories:

Test reports and certificates:

EN10204:2004-3.1 certificate for used materials of the float chamber:

Special executions and notes:

Notes:

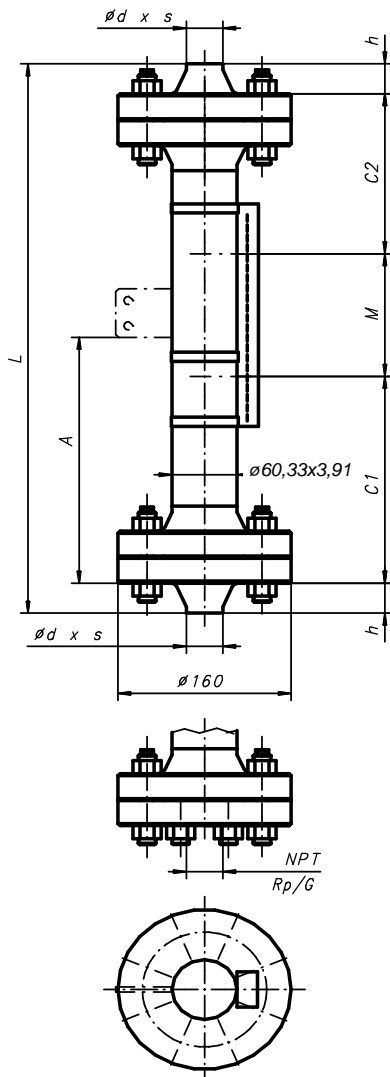
*1) Refer to pressure-temperature rating! Lowest pressure-temperature rating of any connecting flange or fitting will set the limitation!
 Test pressure will be specified according to WEKA specification AW 2.1.2.

All indicated dimensions in mm. All dimensions are only valid on VLI in standard execution.

High Pressure - Power 150

Type: 25683-B

Design meets the requirements of PED 97/23/EC and harmonized standards



Purchase Order Data:

Company: Project:
 Purchase order no.:
 Quantity: Tag no.:

Operating Conditions

Fluid:
 Density: $\geq 0.65\text{g/cm}^3$ g/cm³:
 Viscosity: $\leq 600\text{cSt}$ cSt:
 Operating pressure: max. 150bar(g) @ 20°C *1) bar(g):
 Design pressure: " bar(g):
 Operating temperature: -10°C ... 400°C *1) °C:
 Design temperature: " °C:
 Connecting Distance "L": max. 5800mm (one-piece design) mm:

Design and Materials:

standard execution:
 Float chamber: 316/316L
 Float: Ti-alloy type no.:
 Bolts DIN 2510 L: 21CrMoV57-DIN17240 (double end bolt with antifatigue shaft)
 Hex nut DIN2510 NF: 21CrMoV57-DIN17240
 Option: Bolts and nuts in A2-70 (AISI 304) for operating temp. -80°C ... +300°C
 Damping spring top and bottom, 1.4401 No.: 27399
 Gaskets: fibres compound Aramid/NBR ($\leq 150^\circ\text{C}$) Standard
 pure PTFE non reinforced ($\leq 250^\circ\text{C}$)
 Graphit incl. reinforcing net in ss 316/316L ($\leq 400^\circ\text{C}$)

Process connections:

- butt weld ends acc. to ISO/EN; **21.3 x 2mm**; h = 25mm DN15:
- butt weld ends acc. to ISO/EN; **26.9 x 2mm**; h = 25mm DN20:
- butt weld ends acc. to ISO/EN; **33.7 x 2mm**; h = 30mm DN25:
- butt weld ends acc. to ANSI B.36.10; **21.34 x 2.77mm**; h = 38mm 1/2" (Sch40):
- butt weld ends acc. to ANSI B.36.10; **26.67 x 2.87mm**; h = 41.5mm 3/4" (Sch40):
- butt weld ends acc. to ANSI B.36.10; **33.40 x 3.38mm**; h = 44.5mm 1" (Sch40):
- female thread acc. ISO7-1 resp. ISO 228-1, without plug Rp1/2" resp. **G1/2"**:
- female thread acc. ISO7-1 resp. ISO 228-1, without plug Rp3/4" resp. **G3/4"**:
- female thread acc. ISO7-1 resp. ISO 228-1, without plug Rp1" resp. **G1"**:
- female thread acc. ANSI, without plug **NPT 1/2"**:
- female thread acc. ANSI, without plug **NPT 3/4"**:
- female thread acc. ANSI, without plug **NPT 1"**:

Other Connections

Float extension lower / upper:

	c1:	c2:
Standard	200	150
On request:	c1, c2 shorter or longer, depending on float!	

Indication Rail:

PC, IP65 ($\leq 150^\circ\text{C}$)	Flaps: red-silver	No.: 34837	Standard <input type="checkbox"/>
PC, IP68, inert gas ($\leq 150^\circ\text{C}$)	Flaps: red-silver	No.: 41008	<input type="checkbox"/>
Al/PC, IP54 ($\leq 250^\circ\text{C}$)	Flaps: red-silver	No.: 34560	<input type="checkbox"/>
Al/glass, IP54 ($\leq 400^\circ\text{C}$)	Flaps: black-silver	No.: 37100	<input type="checkbox"/>
Special	Flaps: <input type="text"/>	No.: <input type="text"/>	<input type="checkbox"/>

Accessories (installation instructions see spec. no. 20010501)

Fixation bracket no. 26936: dimension "A" [mm]:
 Magnetic switch: quantity: type:
 Transmitter: resolution [mm]: **5 / 10** type:
 measuring length M_{el} [mm]:
 Converter: type:
 Further accessories:

Test reports and certificates:

EN10204:2004-3.1 certificate for used materials of the float chamber:

Special executions and notes:

Notes:

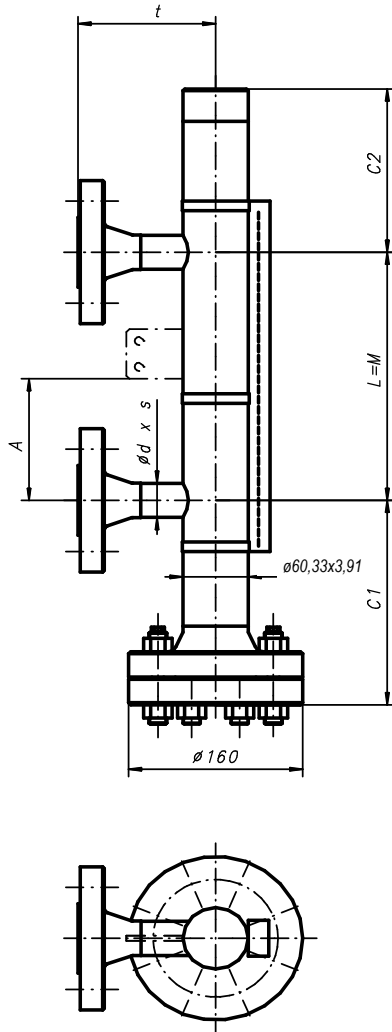
- *1) Refer to pressure-temperature rating! Lowest pressure-temperature rating of any connecting flange or fitting will set the limitation!
 Test pressure will be specified according to WEKA specification AW 2.1.2.

All indicated dimensions in mm. All dimensions are only valid on VLI in standard execution.

High Pressure - Power 150

Type: 25683-K

Design meets the requirements of PED 97/23/EC and harmonized standards



Purchase Order Data:

Company:		Project:	
Purchase order no.:			
Quantity:		Tag no.:	

Operating Conditions

Fluid:			
Density:	≥ 0.65g/cm ³	g/cm ³ :	
Viscosity:	≤ 600cSt	cSt:	
Operating pressure:	max. 150bar(g) @ 20°C *1)	bar(g):	
Design pressure:	"	bar(g):	
Operating temperature:	-10°C ... 400°C *1)	°C:	
Design temperature:	"	°C:	
Connecting Distance "L":	max. 5600mm (one-piece design)	mm:	

Design and Materials:

standard execution:	316/316L		
Float chamber:	Ti-alloy type no.: <input type="text"/>		
Float:	21CrMoV57-DIN17240 (double end bolt with antifatigue shaft)		
Bolts DIN 2510 L:	21CrMoV57-DIN17240		
Hex nut DIN2510 NF:	21CrMoV57-DIN17240		
Option: Bolts and nuts in A2-70 (AISI 304) for operating temp. -80°C ... +300°C	<input type="checkbox"/>		
Damping spring top and bottom, 1.4401	No.:	27399 <input type="checkbox"/>	
Gaskets:	fibres compound Aramid/NBR (≤ 150°C)		Standard <input type="checkbox"/>
	pure PTFE non reinforced (≤ 250°C)		<input type="checkbox"/>
	Graphit incl. reinforcing net in ss 316/316L (≤ 400°C)		<input type="checkbox"/>

Process connections:

EN-Connecting Flanges acc. EN1092-1 (Standard):			
- EN1092-1/11 B1/DNxx/PN160/316L	DN15: <input type="checkbox"/>		
- wn-flange, RF, Rz=12,5 ... 50µm, turning	DN25: <input type="checkbox"/>		

ANSI/class1500 (= ISO/PN260) - connecting flanges:

- ANSI/ASME B16.5 / ISO-DIS7005-1.2, type 11/B1	ANSI 1/2" resp. ISO DN15 :	<input type="checkbox"/>
- wn-flanges, RF SF, Rz=12,5 ... 50µm, turning	ANSI 3/4" resp. ISO DN20 :	<input type="checkbox"/>
	ANSI 1" resp. ISO DN25 :	<input type="checkbox"/>

Other Connections

Float extension lower / upper:

	c1:	c2:
Standard	200	150
On request:	c1, c2 shorter or longer, depending on float!	

Standard Flange Connections:

	DIN/EN	ANSI/ISO
Connection pieces, d*s:		
DN15:	21.3*2.65	21.34*2.77
DN20:	(26.9*2.65)	26.67*2.87
DN25:	33.7*3.25	33.40*3.38
>= DN32 *2):	33.7*3.25	33.40*3.38
Dimension t:		
DN15:	150	150
DN20:	(150)	150
DN25:	150	150
>= DN32 *2):	tba *3)	

Indication Rail:

PC, IP65 (≤ 150°C)	Flaps: red-silver	No.:	34837	Standard	<input type="checkbox"/>
PC, IP68, inert gas (≤ 150°C)	Flaps: red-silver	No.:	41008		<input type="checkbox"/>
Al/PC, IP54 (≤ 250°C)	Flaps: red-silver	No.:	34560		<input type="checkbox"/>
Al/glass, IP54 (≤ 400°C)	Flaps: black-silver	No.:	37100		<input type="checkbox"/>
Special	Flaps: <input type="text"/>	No.:	<input type="text"/>		<input type="checkbox"/>

Accessories (installation instructions see spec. no. 20010501)

Fixation bracket no. 26936:	dimension "A" [mm]:	<input type="text"/>
Magnetic switch:	quantity:	<input type="text"/>
Transmitter:	resolution [mm]:	5 / 10
	measuring length M _{el} [mm]:	<input type="text"/>
Converter:	type:	<input type="text"/>
Further accessories:	<input type="text"/>	

Test reports and certificates:

EN10204:2004-3.1 certificate for used materials of the float chamber:	<input type="checkbox"/>
---	--------------------------

Special executions and notes:

Notes:

*1) Refer to pressure-temperature rating! Lowest pressure-temperature rating of any connecting flange or fitting will set the limitation!
Test pressure will be specified according to WEKA specification AW 2.1.2.

*2) With special reduction flanges.

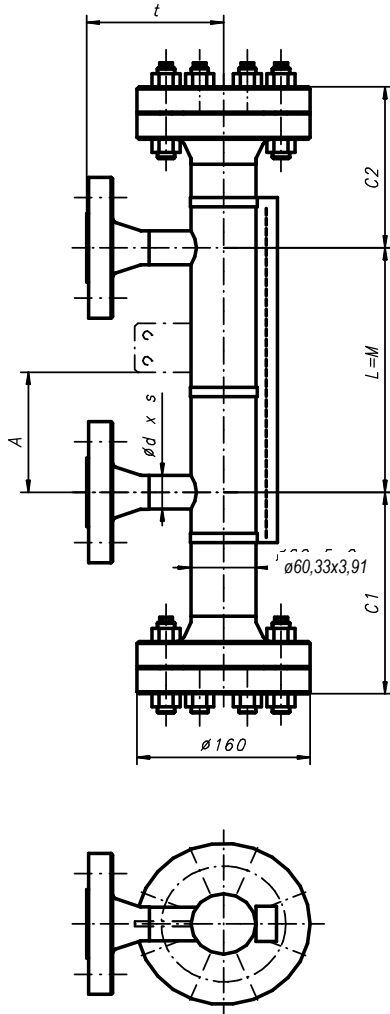
*3) Depending on size of connecting flanges.

All indicated dimensions in mm. All dimensions are only valid on VLI in standard execution.

High Pressure - Power 150

Type: 25683-O

Design meets the requirements of PED 97/23/EC and harmonized standards



Purchase Order Data:

Company:		Project:	
Purchase order no.:			
Quantity:		Tag no.:	

Operating Conditions

Fluid:			
Density:	≥ 0.65g/cm ³	g/cm ³ :	
Viscosity:	≤ 600cSt	cSt:	
Operating pressure:	max. 150bar(g) @ 20°C *1)	bar(g):	
Design pressure:	"	bar(g):	
Operating temperature:	-10°C ... 400°C *1)	°C:	
Design temperature:	"	°C:	
Connecting Distance "L":	max. 5600mm (one-piece design)	mm:	

Design and Materials:

standard execution:			
Float chamber:	316/316L		
Float:	Ti-alloy	type no.:	
Bolts DIN 2510 L:	21CrMoV57-DIN17240 (double end bolt with antifatigue shaft)		
Hex nut DIN2510 NF:	21CrMoV57-DIN17240		
Option: Bolts and nuts in A2-70 (AISI 304) for operating temp. -80°C ... +300°C			<input type="checkbox"/>
Damping spring top and bottom, 1.4401	No.: 27399		<input type="checkbox"/>
Gaskets:	fibres compound Aramid/NBR (≤ 150°C)	Standard	<input type="checkbox"/>
	pure PTFE non reinforced (≤ 250°C)		<input type="checkbox"/>
	Graphit incl. reinforcing net in ss 316/316L (≤ 400°C)		<input type="checkbox"/>

Process connections:

EN-Connecting Flanges acc. EN1092-1 (Standard):	
- EN1092-1/11 B1/DNxx/PN160/316L	DN15: <input type="checkbox"/>
- wn-flange, RF, Rz=12,5 ... 50µm, turning	DN25: <input type="checkbox"/>

ANSI/class1500 (= ISO/PN260) - connecting flanges:

- ANSI/ASME B16.5 / ISO-DIS7005-1.2, type 11/B1	ANSI 1/2" resp. ISO DN15 : <input type="checkbox"/>
- wn-flanges, RF SF, Rz=12,5 ... 50µm, turning	ANSI 3/4" resp. ISO DN20 : <input type="checkbox"/>
	ANSI 1" resp. ISO DN25 : <input type="checkbox"/>

Other Connections

--

Float extension lower / upper:

	c1:	c2:
Standard	200	150
On request:	c1, c2 shorter or longer, depending on float!	

Standard Flange Connections:

	DIN/EN	ANSI/ISO
Connection pieces, d*s:		
DN15:	21.3*2.65	21.34*2.77
DN20:	(26.9*2.65)	26.67*2.87
DN25:	33.7*3.25	33.40*3.38
>= DN32 *2):	33.7*3.25	33.40*3.38
Dimension t:		
DN15:	150	150
DN20:	(150)	150
DN25:	150	150
>= DN32 *2):	tba *3)	

Indication Rail:

PC, IP65 (≤ 150°C)	Flaps: red-silver	No.: 34837	Standard	<input type="checkbox"/>
PC, IP68, inert gas (≤ 150°C)	Flaps: red-silver	No.: 41008		<input type="checkbox"/>
Al/PC, IP54 (≤ 250°C)	Flaps: red-silver	No.: 34560		<input type="checkbox"/>
Al/glass, IP54 (≤ 400°C)	Flaps: black-silver	No.: 37100		<input type="checkbox"/>
Special	Flaps: <input type="text"/>	No.: <input type="text"/>		<input type="checkbox"/>

Accessories (installation instructions see spec. no. 20010501)

Fixation bracket no. 26936:	dimension "A" [mm]:	<input type="text"/>
Magnetic switch:	quantity:	<input type="text"/>
	type:	<input type="text"/>
Transmitter:	resolution [mm]:	5 / 10
	type:	<input type="text"/>
	measuring length M _{el} [mm]:	<input type="text"/>
Converter:	type:	<input type="text"/>
Further accessories:	<input type="text"/>	

Test reports and certificates:

EN10204:2004-3.1 certificate for used materials of the float chamber:	<input type="checkbox"/>
---	--------------------------

Special executions and notes:

<input type="text"/>

Notes:

*1) Refer to pressure-temperature rating! Lowest pressure-temperature rating of any connecting flange or fitting will set the limitation!
Test pressure will be specified according to WEKA specification AW 2.1.2.

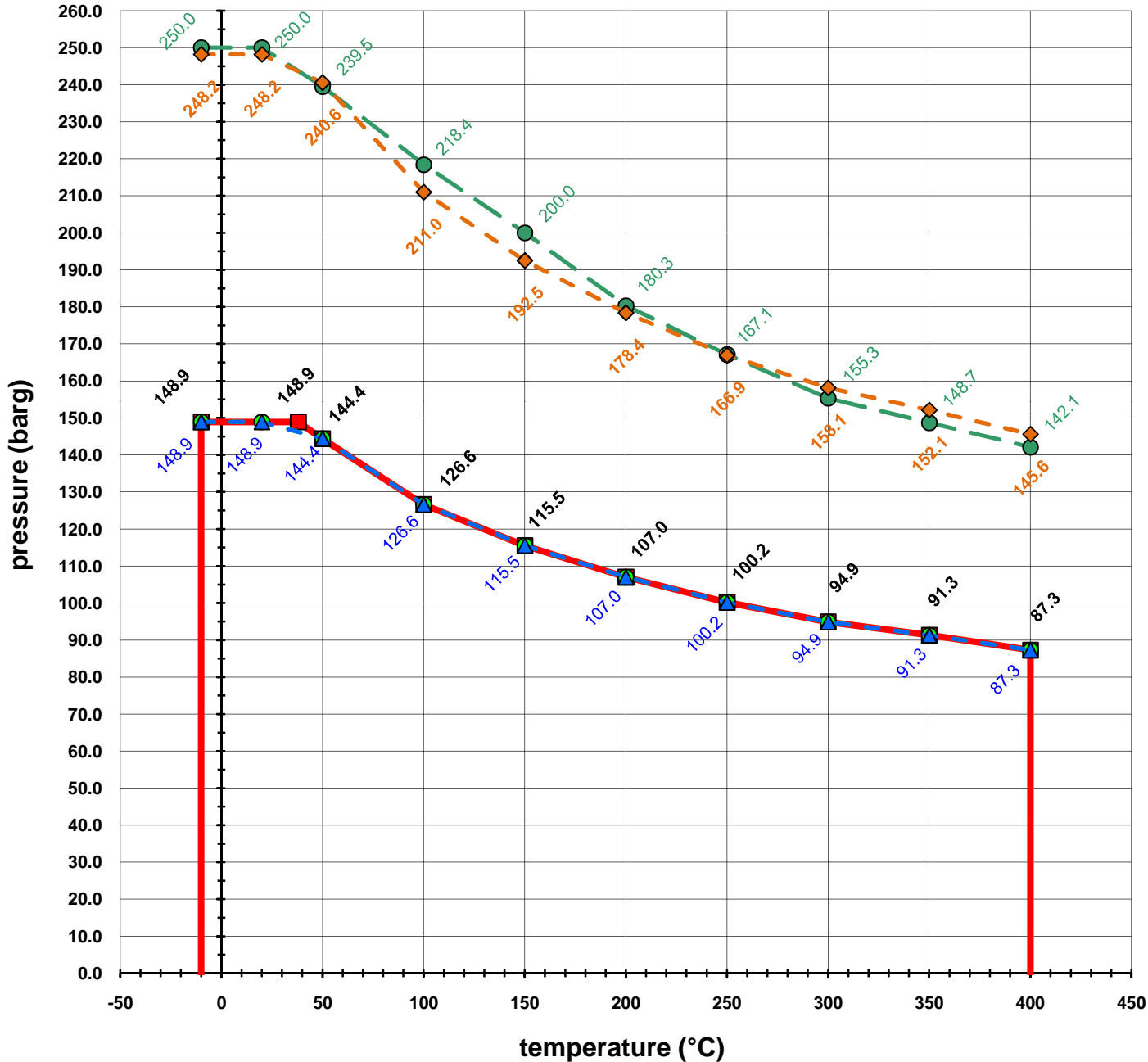
*2) With special reduction flanges.

*3) Depending on size of connecting flanges.

All indicated dimensions in mm. All dimensions are only valid on VLI in standard execution.

Pressure-temperature-rating for VLI High Pressure - Power 150, type 25683

Max. 150bar(g) @ 20°C, up to max. 400°C for VLI bypass float chamber in SS EN 1.4401, 1.4436 / 1.4404, 1.4435 resp. ANSI 316/316L



- VLI High-Pressure-Power PN150, all types 25683
 Note:
 Tolerated max pressure@specified temperature of the VLI is given either by the bypass tube or by the connection flanges
 --- Lower value sets the limitation! ---

- EN 1092-1 PN160 flanges in SS 1.4404/1.4435 (acc. to EN1092-1:2008)

- EN 1092-1 PN250 flanges in SS 1.4404/1.4435 (acc. to EN1092-1:2008)

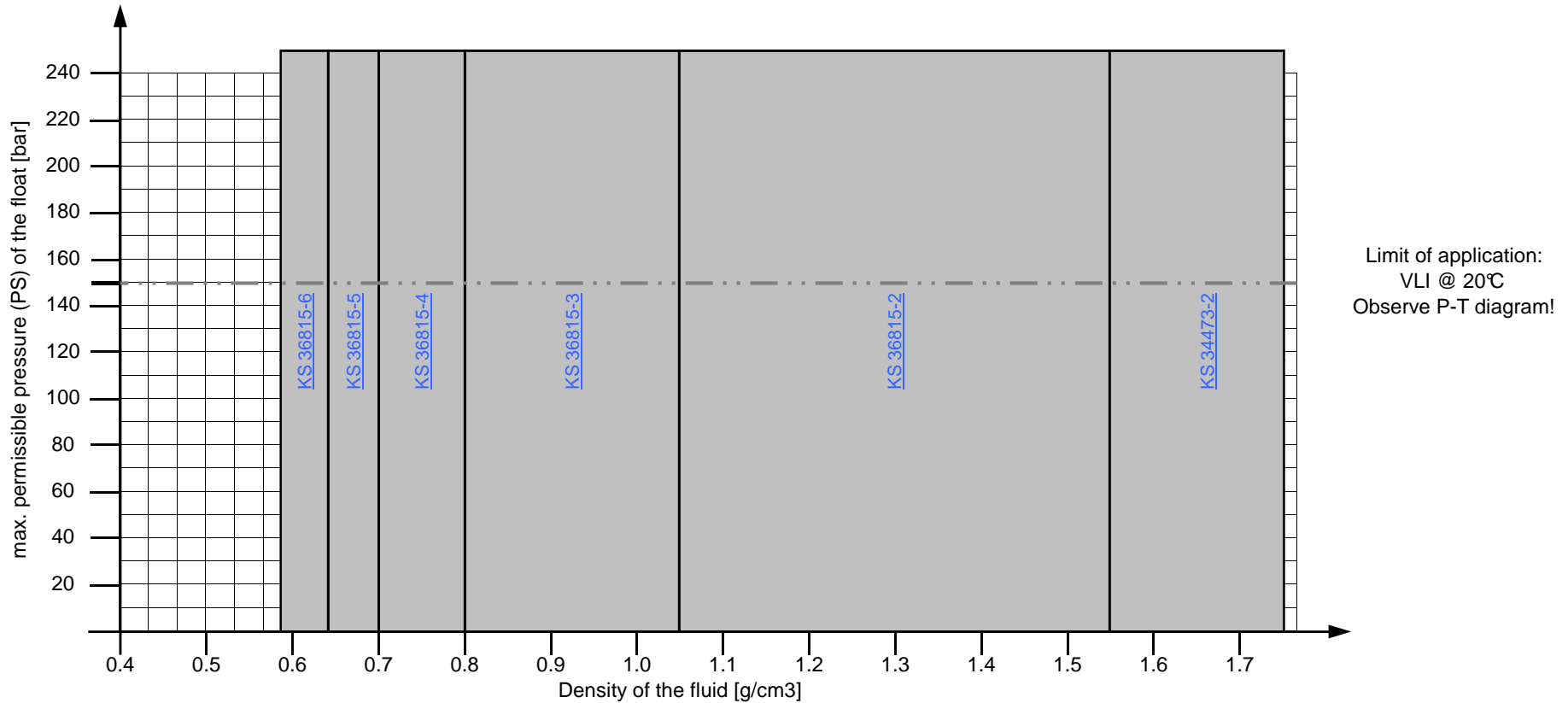
- ▲ ANSI class900 flanges, material group 2.2. Applied flanges are double certified 316/316L (acc. to ANSI/ASME B16.5 and also acc. to ISO 7005-1:1992 PN150)
 Note:
 Equal graph as VLI High-Pressure-Power PN150

- ◆ ANSI class1500 flanges, material group 2.2. Applied flanges are double certified 316/316L (acc. to ANSI/ASME B16.5 and also acc. to ISO 7005-1:1992 PN260)

Other flanges on request!

Float selection diagram VLI Type 25683, High Pressure - Power 150

These data apply for an operating temperature of $\leq 20^\circ\text{C}$.
For higher operating temperatures, please check the max. permissible float pressure on the respective data sheet.



Comments:

KS = ball float

Example: 36815-X = number of balls

Material = Titan alloy

Interior diameter of the float chamber = 50mm

For steam or condensate applications, please check the use of damping springs

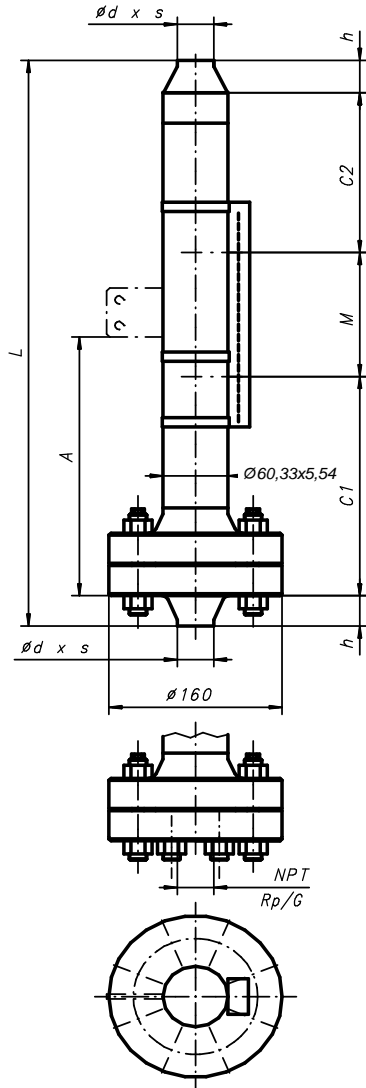
Additional charge for densities $< 0.55\text{g/cm}^3$ due to extended length of bottom float extension and ball float with more than 4 balls

Additional charge for densities $< 0.65\text{g/cm}^3$ and $> 1.50\text{g/cm}^3$ due to ball float and possibly extended length of bottom float extension

High Pressure - Power 200

Type: 32806-A

Design meets the requirements of PED 97/23/EC and harmonized standards



Purchase Order Data:

Company: Project:
 Purchase order no.:
 Quantity: Tag no.:

Operating Conditions

Fluid:
 Density: $\geq 0.65\text{g/cm}^3$ g/cm^3
 Viscosity: $\leq 600\text{cSt}$ cSt
 Operating pressure: max. 200bar(g) @ 20°C *1) bar(g)
 Design pressure: " bar(g)
 Operating temperature: -10°C ... 400°C *1) °C
 Design temperature: " °C
 Connecting Distance "L": max. 5800mm (one-piece design) mm

Design and Materials:

standard execution:
 Float chamber: 316/316L
 Float: Ti-alloy type no.:
 Bolts DIN 2510 L: 21CrMoV57-DIN17240 (double end bolt with antifatigue shaft)
 Hex nut DIN2510 NF: 21CrMoV57-DIN17240
 Option: Bolts and nuts in A2-70 (AISI 304) for operating temp. -80°C ... +300°C
 Damping spring top and bottom, 1.4401 No.: 27399
 Gaskets: fibres compound Aramid/NBR ($\leq 150^\circ\text{C}$) Standard
 pure PTFE non reinforced ($\leq 250^\circ\text{C}$)
 Graphit incl. reinforcing net in ss 316/316L ($\leq 400^\circ\text{C}$)

Process connections:

- butt weld ends acc. to ISO/EN; **21.3 x 2mm**; h = 25mm DN15:
- butt weld ends acc. to ISO/EN; **26.9 x 2mm**; h = 25mm DN20:
- butt weld ends acc. to ISO/EN; **33.7 x 2mm**; h = 30mm DN25:
- butt weld ends acc. to ANSI B.36.10; **21.34 x 2.77mm**; h = 38mm 1/2" (Sch40):
- butt weld ends acc. to ANSI B.36.10; **26.67 x 2.87mm**; h = 41.5mm 3/4" (Sch40):
- butt weld ends acc. to ANSI B.36.10; **33.40 x 3.38mm**; h = 44.5mm 1" (Sch40):
- female thread acc. ISO7-1 resp. ISO 228-1, without plug Rp1/2" resp. **G1/2"**:
- female thread acc. ISO7-1 resp. ISO 228-1, without plug Rp3/4" resp. **G3/4"**:
- female thread acc. ISO7-1 resp. ISO 228-1, without plug Rp1" resp. **G1"**:
- female thread acc. ANSI, without plug **NPT 1/2"**:
- female thread acc. ANSI, without plug **NPT 3/4"**:
- female thread acc. ANSI, without plug **NPT 1"**:

Other Connections

Float extension lower / upper:

	c1:	c2:
Standard	205	155
On request:	c1, c2 shorter or longer, depending on float!	

Indication Rail:

PC, IP65 ($\leq 150^\circ\text{C}$)	Flaps: red-silver	No.: 34837	Standard	<input type="checkbox"/>
PC, IP68, inert gas ($\leq 150^\circ\text{C}$)	Flaps: red-silver	No.: 41008		<input type="checkbox"/>
Al/PC, IP54 ($\leq 250^\circ\text{C}$)	Flaps: red-silver	No.: 34560		<input type="checkbox"/>
Al/glass, IP54 ($\leq 400^\circ\text{C}$)	Flaps: black-silver	No.: 37100		<input type="checkbox"/>
Special	Flaps: <input type="text"/>	No.: <input type="text"/>		<input type="checkbox"/>

Accessories (installation instructions see spec. no. 20010501)

Fixation bracket no. 26936: dimension "A" [mm]:
 Magnetic switch: quantity: type:
 Transmitter: resolution [mm]: **5 / 10** type:
 measuring length M_{el} [mm]:
 Converter: type:
 Further accessories:

Test reports and certificates:

EN10204:2004-3.1 certificate for used materials of the float chamber:

Special executions and notes:

Notes:

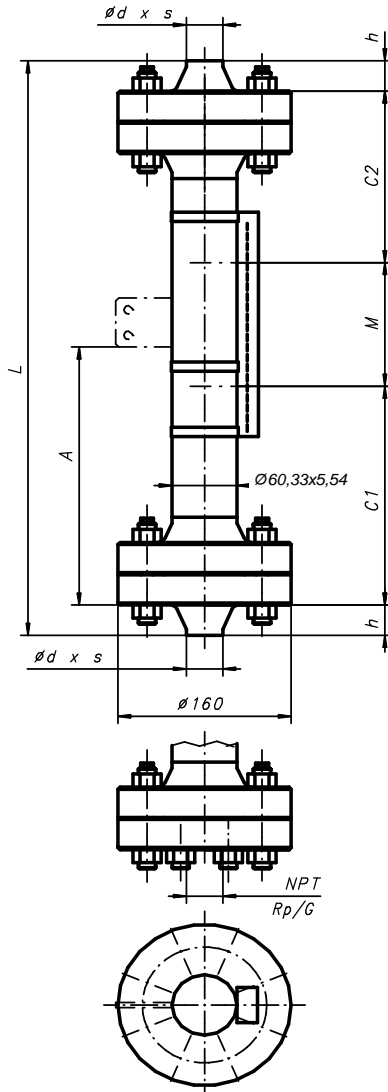
- *1) Refer to pressure-temperature rating! Lowest pressure-temperature rating of any connecting flange or fitting will set the limitation!
 Test pressure will be specified according to WEKA specification AW 2.1.2.

All indicated dimensions in mm. All dimensions are only valid on VLI in standard execution.

High Pressure - Power 200

Type: 32806-B

Design meets the requirements of PED 97/23/EC and harmonized standards



Purchase Order Data:

Company:		Project:	
Purchase order no.:			
Quantity:		Tag no.:	

Operating Conditions

Fluid:			
Density:	≥ 0.65g/cm ³	g/cm ³ :	
Viscosity:	≤ 600cSt	cSt:	
Operating pressure:	max. 200bar(g) @ 20°C *1)	bar(g):	
Design pressure:	"	bar(g):	
Operating temperature:	-10°C ... 400°C *1)	°C:	
Design temperature:	"	°C:	
Connecting Distance "L":	max. 5800mm (one-piece design)	mm:	

Design and Materials:

standard execution:	316/316L		
Float chamber:	316/316L		
Float:	Ti-alloy	type no.:	
Bolts DIN 2510 L:	21CrMoV57-DIN17240 (double end bolt with antifatigue shaft)		
Hex nut DIN2510 NF:	21CrMoV57-DIN17240		
Option: Bolts and nuts in A2-70 (AISI 304) for operating temp. -80°C ... +300°C			<input type="checkbox"/>
Damping spring top and bottom, 1.4401	No.:	27399	<input type="checkbox"/>
Gaskets:	fibres compound Aramid/NBR (≤ 150°C)		<input type="checkbox"/> Standard
	pure PTFE non reinforced (≤ 250°C)		<input type="checkbox"/>
	Graphit incl. reinforcing net in ss 316/316L (≤ 400°C)		<input type="checkbox"/>

Process connections:

- butt weld ends acc. to ISO/EN; 21.3 x 2mm; h = 25mm	DN15:	<input type="checkbox"/>
- butt weld ends acc. to ISO/EN; 26.9 x 2mm; h = 25mm	DN20:	<input type="checkbox"/>
- butt weld ends acc. to ISO/EN; 33.7 x 2mm; h = 30mm	DN25:	<input type="checkbox"/>
- butt weld ends acc. to ANSI B.36.10; 21.34 x 2.77mm; h = 38mm	1/2" (Sch40):	<input type="checkbox"/>
- butt weld ends acc. to ANSI B.36.10; 26.67 x 2.87mm; h = 41.5mm	3/4" (Sch40):	<input type="checkbox"/>
- butt weld ends acc. to ANSI B.36.10; 33.40 x 3.38mm; h = 44.5mm	1" (Sch40):	<input type="checkbox"/>
- female thread acc. ISO7-1 resp. ISO 228-1, without plug	Rp1/2" resp. G1/2":	<input type="checkbox"/>
- female thread acc. ISO7-1 resp. ISO 228-1, without plug	Rp3/4" resp. G3/4":	<input type="checkbox"/>
- female thread acc. ISO7-1 resp. ISO 228-1, without plug	Rp1" resp. G1":	<input type="checkbox"/>
- female thread acc. ANSI, without plug	NPT 1/2":	<input type="checkbox"/>
- female thread acc. ANSI, without plug	NPT 3/4":	<input type="checkbox"/>
- female thread acc. ANSI, without plug	NPT 1":	<input type="checkbox"/>

Other Connections

--	--

Float extension lower / upper:

	c1:	c2:
Standard	205	155
On request:	c1, c2 shorter or longer, depending on float!	

Indication Rail:

PC, IP65 (≤ 150°C)	Flaps: red-silver	No.:	34837	Standard	<input type="checkbox"/>
PC, IP68, inert gas (≤ 150°C)	Flaps: red-silver	No.:	41008		<input type="checkbox"/>
Al/PC, IP54 (≤ 250°C)	Flaps: red-silver	No.:	34560		<input type="checkbox"/>
Al/glass, IP54 (≤ 400°C)	Flaps: black-silver	No.:	37100		<input type="checkbox"/>
Special	Flaps:	No.:			<input type="checkbox"/>

Accessories (installation instructions see spec. no. 20010501)

Fixation bracket no. 26936:	dimension "A" [mm]:	
Magnetic switch:	quantity:	type:
Transmitter:	resolution [mm]:	type:
	measuring length M _{el} [mm]:	
Converter:	type:	
Further accessories:		

Test reports and certificates:

EN10204:2004-3.1 certificate for used materials of the float chamber:	<input type="checkbox"/>
---	--------------------------

Special executions and notes:

--

Notes:

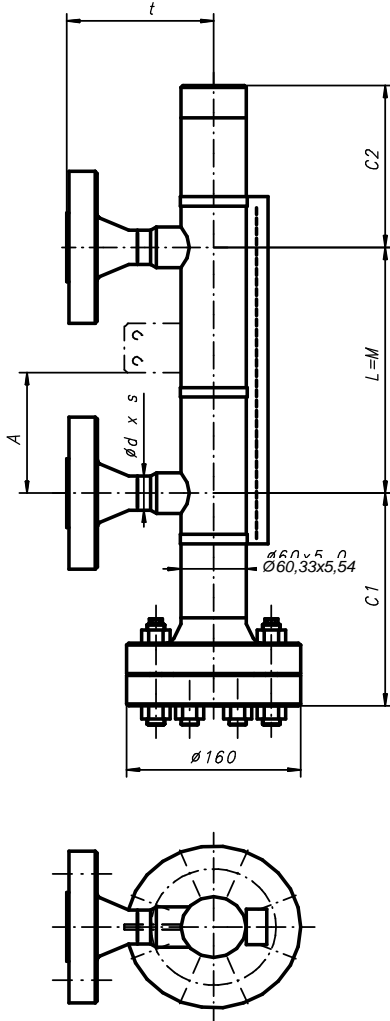
*1) Refer to pressure-temperature rating! Lowest pressure-temperature rating of any connecting flange or fitting will set the limitation!
Test pressure will be specified according to WEKA specification AW 2.1.2.

All indicated dimensions in mm. All dimensions are only valid on VLI in standard execution.

High Pressure - Power 200

Type: 32806-K

Design meets the requirements of PED 97/23/EC and harmonized standards



Purchase Order Data:

Company:		Project:	
Purchase order no.:			
Quantity:		Tag no.:	

Operating Conditions

Fluid:			
Density:	$\geq 0.65 \text{ g/cm}^3$	g/cm ³ :	
Viscosity:	$\leq 600 \text{ cSt}$	cSt:	
Operating pressure:	max. 200bar(g) @ 20°C *1)	bar(g):	
Design pressure:	"	bar(g):	
Operating temperature:	-10°C ... 400°C *1)	°C:	
Design temperature:	"	°C:	
Connecting Distance "L":	max. 5600mm (one-piece design)	mm:	

Design and Materials:

standard execution:	316/316L		
Float chamber:	316/316L		
Float:	Ti-alloy	type no.:	
Bolts DIN 2510 L:	21CrMoV57-DIN17240 (double end bolt with antifatigue shaft)		
Hex nut DIN2510 NF:	21CrMoV57-DIN17240		
Option: Bolts and nuts in A2-70 (AISI 304) for operating temp. -80°C ... +300°C			<input type="checkbox"/>
Damping spring top and bottom, 1.4401	No.:	27399	<input type="checkbox"/>
Gaskets:	fibres compound Aramid/NBR ($\leq 150^\circ\text{C}$)		<input type="checkbox"/> Standard
	pure PTFE non reinforced ($\leq 250^\circ\text{C}$)		<input type="checkbox"/>
	Graphit incl. reinforcing net in ss 316/316L ($\leq 400^\circ\text{C}$)		<input type="checkbox"/>

Process connections:

EN-Connecting Flanges acc. EN1092-1 (Standard):	
- EN1092-1/11 B1/DNxx/PN250/316L	DN15: <input type="checkbox"/>
- wn-flange, RF, Rz=12,5 ... 50µm, turning	DN25: <input type="checkbox"/>

ANSI/class1500 (= ISO/PN260) - connecting flanges:

- ANSI/ASME B16.5 / ISO-DIS7005-1.2, type 11/B1	ANSI 1/2" resp. ISO DN15 : <input type="checkbox"/>
- wn-flanges, RF SF, Rz=12,5 ... 50µm, turning	ANSI 3/4" resp. ISO DN20 : <input type="checkbox"/>
	ANSI 1" resp. ISO DN25 : <input type="checkbox"/>

Other Connections

--

Float extension lower / upper:

	c1:	c2:
Standard	205	155
On request:	c1, c2 shorter or longer, depending on float!	

Standard Flange Connections:

	DIN/EN	ANSI/ISO
Connection pieces, d*s:		
DN15:	21.3*2.65	21.34*3.73
DN20:	(26.9*2.65)	26.67*3.91
DN25:	33.7*3.25	33.40*4.55
>= DN32 *2):	33.7*3.25	33.40*4.55
Dimension t:		
DN15:	150	150
DN20:	(150)	150
DN25:	150	150
>= DN32 *2):	tba *3)	

Indication Rail:

PC, IP65 ($\leq 150^\circ\text{C}$)	Flaps: red-silver	No.:	34837	Standard	<input type="checkbox"/>
PC, IP68, inert gas ($\leq 150^\circ\text{C}$)	Flaps: red-silver	No.:	41008		<input type="checkbox"/>
Al/PC, IP54 ($\leq 250^\circ\text{C}$)	Flaps: red-silver	No.:	34560		<input type="checkbox"/>
Al/glass, IP54 ($\leq 400^\circ\text{C}$)	Flaps: black-silver	No.:	37100		<input type="checkbox"/>
Special	Flaps: <input type="text"/>	No.:	<input type="text"/>		<input type="checkbox"/>

Accessories (installation instructions see spec. no. 20010501)

Fixation bracket no. 26936:	dimension "A" [mm]:	<input type="text"/>
Magnetic switch:	quantity:	<input type="text"/>
Transmitter:	resolution [mm]:	5 / 10
	measuring length M _{el} [mm]:	<input type="text"/>
Converter:	type:	<input type="text"/>
Further accessories:	<input type="text"/>	

Test reports and certificates:

EN10204:2004-3.1 certificate for used materials of the float chamber:	<input type="checkbox"/>
---	--------------------------

Special executions and notes:

--

Notes:

*1) Refer to pressure-temperature rating! Lowest pressure-temperature rating of any connecting flange or fitting will set the limitation!

Test pressure will be specified according to WEKA specification AW 2.1.2.

*2) With special reduction flanges.

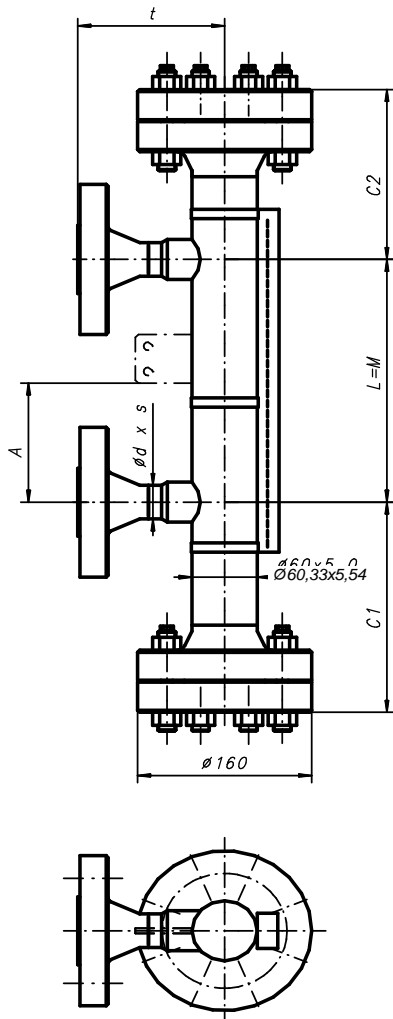
*3) Depending on size of connecting flanges.

All indicated dimensions in mm. All dimensions are only valid on VLI in standard execution.

High Pressure - Power 200

Type: 32806-O

Design meets the requirements of PED 97/23/EC and harmonized standards



Purchase Order Data:

Company: Project:
 Purchase order no.:
 Quantity: Tag no.:

Operating Conditions

Fluid:
 Density: $\geq 0.65 \text{ g/cm}^3$ g/cm^3 :
 Viscosity: $\leq 600 \text{ cSt}$ cSt :
 Operating pressure: max. 200bar(g) @ 20°C *1) bar(g) :
 Design pressure: " bar(g) :
 Operating temperature: -10°C ... 400°C *1) $^{\circ}\text{C}$:
 Design temperature: " $^{\circ}\text{C}$:
 Connecting Distance "L": max. 5600mm (one-piece design) mm :

Design and Materials:

standard execution:
 Float chamber: 316/316L
 Float: Ti-alloy type no.:
 Bolts DIN 2510 L: 21CrMoV57-DIN17240 (double end bolt with antifatigue shaft)
 Hex nut DIN2510 NF: 21CrMoV57-DIN17240
 Option: Bolts and nuts in A2-70 (AISI 304) for operating temp. -80°C ... +300°C
 Damping spring top and bottom, 1.4401 No.: 27399
 Gaskets: fibres compound Aramid/NBR ($\leq 150^{\circ}\text{C}$) Standard
 pure PTFE non reinforced ($\leq 250^{\circ}\text{C}$)
 Graphit incl. reinforcing net in ss 316/316L ($\leq 400^{\circ}\text{C}$)

Process connections:

EN-Connecting Flanges acc. EN1092-1 (Standard):
 - EN1092-1/11 B1/DNxx/PN250/316L DN15:
 - wn-flange, RF, Rz=12,5 ... 50µm, turning DN25:
ANSI/class1500 (= ISO/PN260) - connecting flanges:
 - ANSI/ASME B16.5 / ISO-DIS7005-1.2, type 11/B1 ANSI 1/2" resp. ISO DN15 :
 - wn-flanges, RF SF, Rz=12,5 ... 50µm, turning ANSI 3/4" resp. ISO DN20 :
 ANSI 1" resp. ISO DN25 :

Other Connections

Float extension lower / upper:

	c1:	c2:
Standard	205	155
On request:	c1, c2 shorter or longer, depending on float!	

Standard Flange Connections:

	DIN/EN	ANSI/ISO
Connection pieces, d*s:		
DN15:	21.3*2.65	21.34*3.73
DN20:	(26.9*2.65)	26.67*3.91
DN25:	33.7*3.25	33.40*4.55
>= DN32 *2):	33.7*3.25	33.40*4.55
Dimension t:		
DN15:	150	150
DN20:	(150)	150
DN25:	150	150
>= DN32 *2):	tba *3)	

Indication Rail:

PC, IP65 ($\leq 150^{\circ}\text{C}$)	Flaps: red-silver	No.: 34837	Standard	<input type="checkbox"/>
PC, IP68, inert gas ($\leq 150^{\circ}\text{C}$)	Flaps: red-silver	No.: 41008		<input type="checkbox"/>
Al/PC, IP54 ($\leq 250^{\circ}\text{C}$)	Flaps: red-silver	No.: 34560		<input type="checkbox"/>
Al/glass, IP54 ($\leq 400^{\circ}\text{C}$)	Flaps: black-silver	No.: 37100		<input type="checkbox"/>
Special	Flaps: <input type="text"/>	No.: <input type="text"/>		<input type="checkbox"/>

Accessories (installation instructions see spec. no. 20010501)

Fixation bracket no. 26936: dimension "A" [mm]:
 Magnetic switch: quantity: type:
 Transmitter: resolution [mm]: 5 / 10 type:
 measuring length M_{el} [mm]:
 Converter: type:
 Further accessories:

Test reports and certificates:

EN10204:2004-3.1 certificate for used materials of the float chamber:

Special executions and notes:

Notes:

*1) Refer to pressure-temperature rating! Lowest pressure-temperature rating of any connecting flange or fitting will set the limitation!
 Test pressure will be specified according to WEKA specification AW 2.1.2.

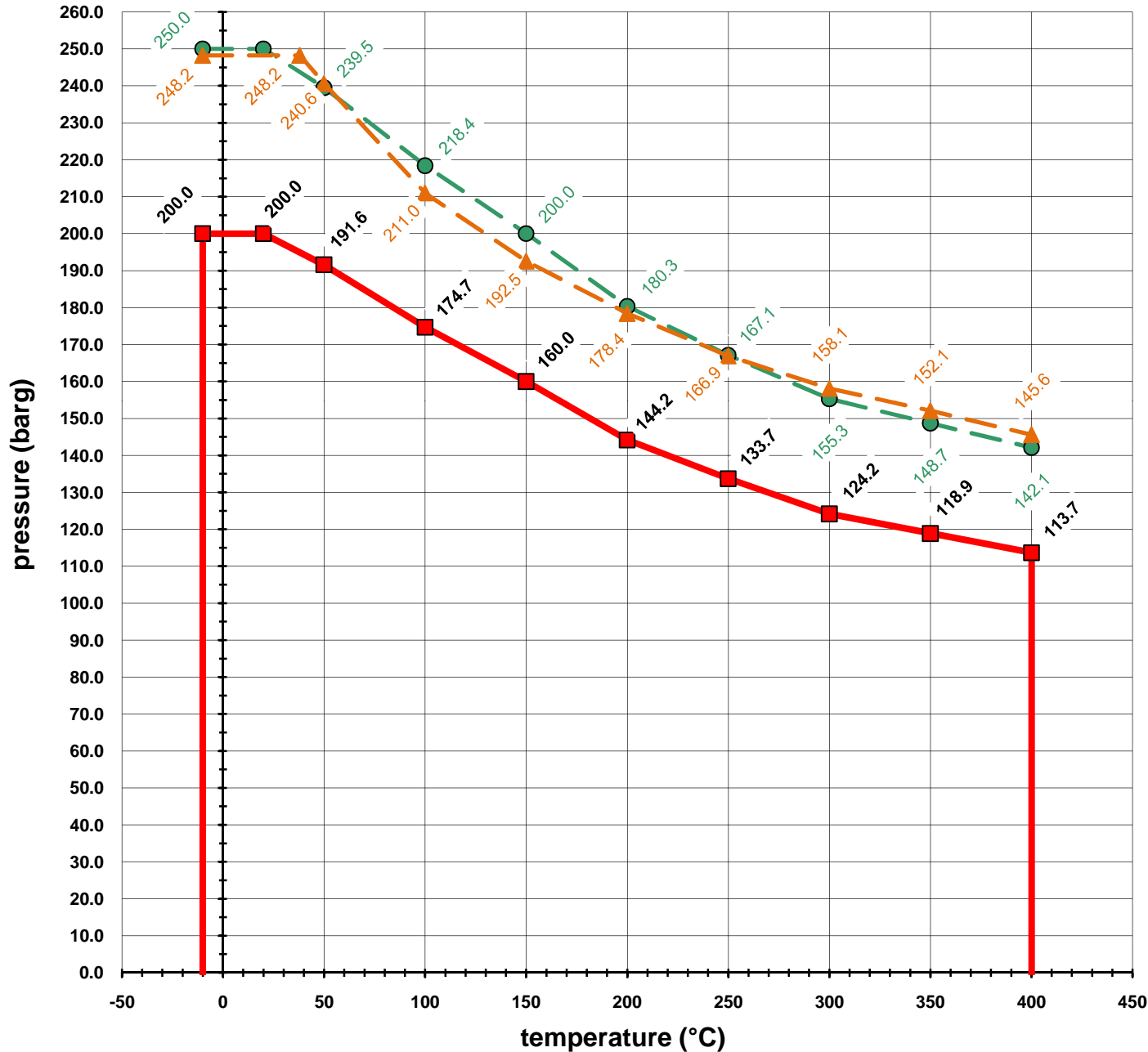
*2) With special reduction flanges.

*3) Depending on size of connecting flanges.

All indicated dimensions in mm. All dimensions are only valid on VLI in standard execution.

Pressure-temperature-rating for VLI High Pressure - Power 200, type 32806

Max. 200bar(g) @ 20°C, up to max. 400°C for VLI bypass float chamber in SS EN 1.4401, 1.4436 / 1.4404, 1.4435 resp. ANSI 316/316L



■ VLI High-Pressure-Power PN200, all types 32806.
 Note:
 Tolerated max pressure@specified temperature of the VLI is given either by the bypass tube or by the connection flanges
 --- Lower value sets the limitation! ---

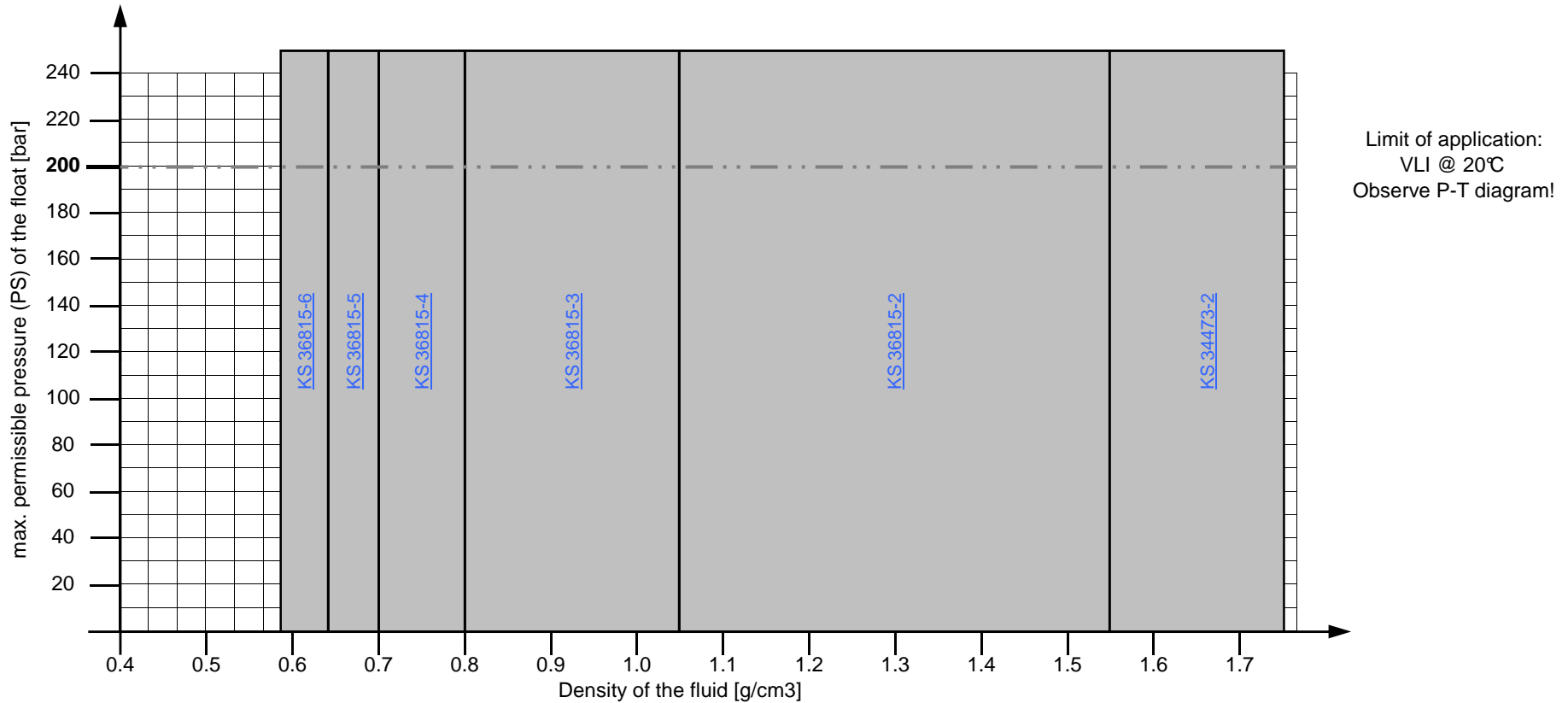
● EN 1092-1 PN250 flanges in SS 1.4404/1.4435 (acc. to EN1092-1:2008)

▲ ANSI class 1500 flanges, material group 2.2. Applied flanges are double certified 316/316L (acc. to ANSI/ASME B16.5 and also acc. to ISO 7005-1:1992 PN260)

Other flanges on request!

Float selection diagram VLI Type 32806, High Pressure - Power 200

These data apply for an operating temperature of $\leq 20^\circ\text{C}$.
For higher operating temperatures, please check the max. permissible float pressure on the respective data sheet.



Comments:

KS = ball float

Example: 36815-X = number of balls

Material = Titan alloy

Interior diameter of the float chamber = 50mm

For steam or condensate applications, please check the use of damping springs

Additional charge for densities $< 0.55\text{g/cm}^3$ due to extended length of bottom float extension and ball float with more than 4 balls

Additional charge for densities $< 0.65\text{g/cm}^3$ and $> 1.50\text{g/cm}^3$ due to ball float and possibly extended length of bottom float extension

High pressure VLI >200bar

WEKA has also manufactured magnetic level indicators (VLI) in the pressure classes > 200bar for many years. During this time, we have accumulated the specific and extensive expertise which is necessary for the design and manufacturing of high-pressure magnetic level indicators. This knowledge and skill is demonstrated by the several hundred devices which are in effective use every day, in a wide variety of countries and under very different service conditions.

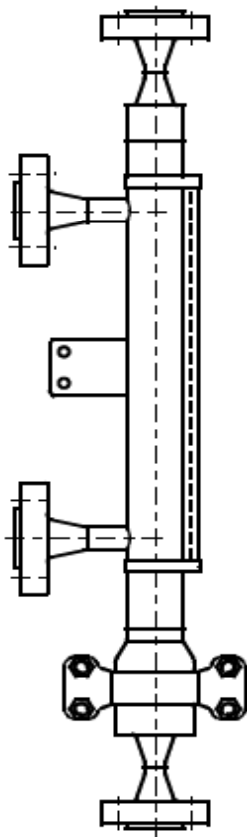
General standardisation for high pressure applications is exceptionally difficult due to the great variety of demands on high-pressure Visual Level Indicators.

Demands could include:

- Excessive temperature and pressure conditions.
- Special mounting onto vessel or tank could be complex with fittings, flanges or specially designed high-pressure coupling clamps.
- Local rules for pressure vessels and special regulations may influence the type of design and manufacturing.
- Extreme environmental conditions, e.g. on offshore rigs or oil production platforms, for hydraulic forging presses, large steam boilers, etc.
- Exotic materials for chamber and float due to high corrosive and dangerous liquids.

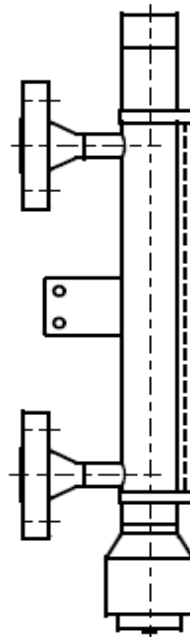
For preparation of an accurate offer explicit details and data must be provided as well as all relevant information described above.

Some applications may be designed according to the sketches below:



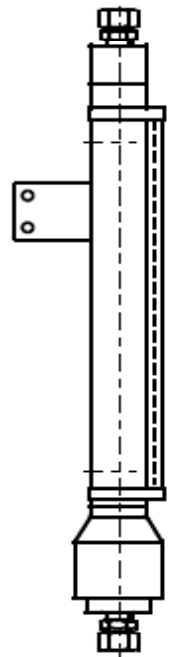
Design with clamp service connection

- for high temperature applications, e.g. steam
- metal sealing
- low weight in comparison to flanged connections
- reduced requirements of bolting as pressure bearing parts
- radial bolting allows 360° orientation of clamp
- quick and easy assembly and disassembly



Weka design with threaded service connection

- for low temperature applications, e.g. hydraulic or hydrostatic
- O-ring sealing
- low weight in comparison to flanged connections
- no bolting required
- slim design
- quick and easy assembly and disassembly



Free form data sheet for VLI >200bar

Design meets the requirements of PED 97/23/EC and harmonized standards

Sketch:

Side view

Top view

Purchase Order Data:

Company:	<input type="text"/>	Project:	<input type="text"/>
Purchase order no.:	<input type="text"/>		
Quantity:	<input type="text"/>	Tag no.:	<input type="text"/>

Operating Conditions

Fluid:	<input type="text"/>		
Density:	≥ 0.6g/cm ³	g/cm ³ :	<input type="text"/>
Viscosity:	≤ 600cSt	cSt:	<input type="text"/>
Operating pressure:		bar(g):	<input type="text"/>
Design pressure:		bar(g):	<input type="text"/>
Operating temperature:	≤ 400°C	°C:	<input type="text"/>
Design temperature:	≤ 400°C	°C:	<input type="text"/>
Connecting distance "L":		mm:	<input type="text"/>
Measuring length "M":		mm:	<input type="text"/>
Lower float extension "C1":		mm:	<input type="text"/>
Upper float extension "C2":		mm:	<input type="text"/>

Design and Materials:

Float chamber:	<input type="text"/>
Float:	<input type="text"/>
Bolting:	<input type="text"/>
Damping spring top and bottom, 1.4401	<input type="text"/>

Gaskets:	fibres compound Aramid/NBR (≤ 150°C)	Standard	<input type="checkbox"/>
	pure PTFE non reinforced (≤ 250°C)		<input type="checkbox"/>
	Graphit incl. reinforcing net in ss 316/316L (≤ 400°C)		<input type="checkbox"/>

Process connections:

Indication Rail:

PC, IP65 (≤ 150°C)	Flaps: red-silver	No.:	34837	Standard	<input type="checkbox"/>
PC, IP68, inert gas (≤ 150°C)	Flaps: red-silver	No.:	41008		<input type="checkbox"/>
Al/PC, IP54 (≤ 250°C)	Flaps: red-silver	No.:	34560		<input type="checkbox"/>
Al/glass, IP54 (≤ 400°C)	Flaps: black-silver	No.:	37100		<input type="checkbox"/>
Special	Flaps: <input type="text"/>	No.:	<input type="text"/>		<input type="checkbox"/>

Accessories (installation instructions see spec. no. 20010501)

Fixation bracket no. 26936:	dimension "A" [mm]:	<input type="text"/>
Magnetic switch:	quantity:	<input type="text"/>
Transmitter:	resolution [mm]:	5 / 10
	measuring length M _{el} [mm]:	<input type="text"/>
Converter:	type:	<input type="text"/>
Further accessories:	<input type="text"/>	

Test reports and certificates:

EN10204:2004-3.1 certificate for used materials of the float chamber:	<input type="checkbox"/>
---	--------------------------

Special executions and notes:

Notes:

Refer to pressure-temperature rating! Lowest pressure-temperature rating of any connecting flange or fitting will set the limitation!
 Test pressure will be specified according to WEKA specification AW 2.1.2.

All indicated dimensions in mm. All dimensions are only valid on VLI in standard execution.