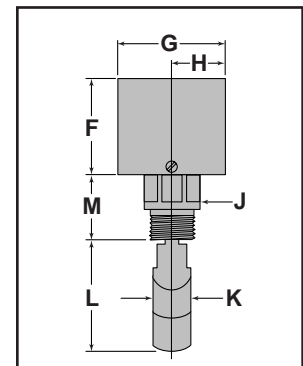
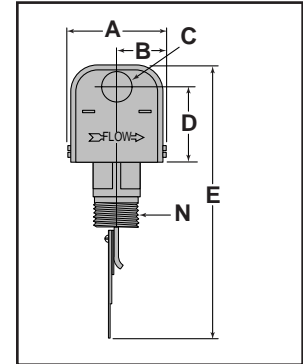


Flow Switches – Liquid

Series FS4-3 General Purpose Liquid Flow Switches

- Universal design serves the widest variety of applications
- For starting or stopping electrically operated equipment such as signal lights, alarms, motors, automatic burners, metering devices and others
- Replacement for Johnson Controls flow switch Model F61KB-11
- 1" (25mm) NPT
- Two electrical knock-outs allows connection from either end
- Sensitivity adjusting screw makes flow adjustment easy
- Single pole, double throw snap switch
- Hardened stainless steel bearings minimize friction
- Sealed Monel bellows
- Four Monel paddles included-1", 2", 3" & 6" (25, 50, 80, & 150mm) NPT
- Optional features
 - Time delay (5 or 20 seconds)
 - Two SPDT switches to make or break two separate circuits
 - Reinforced paddles
 - Materials of construction suitable for corrosive liquids
 - Sprinkler service (UL & ULC listed)-Model FS4-3F
 - BSPT threads
- Minimum temperature (fluid or ambient) 32°F (0°C)
- Maximum temperature 300°F (149°C)
- Maximum pressure 150 psi (10.5 kg/cm²)



Electrical Ratings

Voltage	Motor Switch Rating (Amperes)		Pilot Duty
	Full Load	Locked Rotor	
120 VAC	7.4	44.4	125 VA at 120 or 240 VAC 50 or 60 cycles
240 VAC	3.7	22.2	

Dimensions, in. (mm)

A	B	C	D	E	F	G
3 (76)	1½ (38)	7⁄8 (22)	27⁄32 (56)	87⁄16 (211)	215⁄16 (75)	33⁄8 (86)

H	J	K	L	M	N NPT
111⁄16 (43)	17⁄16 (37)	11⁄8 (29)	37⁄16 (87)	21⁄16 (52)	1 (25)

Flow Switches – Liquid (continued)

Series FS4-3 (continued) General Purpose Liquid Flow Switches

Flow Rates

Pipe Size NPT in. (mm)	Settings	Mode of Operation		Max. Flow Rate (GPM) w/o Paddle Damage
		Flow gpm (lpm)	No Flow gpm (lpm)	
1 (25)	Factory or Minimum	6 (22.7)	3.6 (13.6)	27
	Maximum	10.2 (38.6)	9.2 (34.8)	
1¼ (32)	Factory or Minimum	9.8 (37.1)	5.6 (21.2)	47
	Maximum	16.8 (63.6)	15 (56.8)	
1½ (40)	Factory or Minimum	12.7 (48.1)	7 (26.5)	63
	Maximum	23 (87.1)	19.5 (73.8)	
2 (50)	Factory or Minimum	18.8 (71.2)	9.4 (35.6)	105
	Maximum	32.8 (124.1)	24 (90.8)	
2½ (65)	Factory or Minimum	24.3 (92)	11.6 (43.9)	149
	Maximum	42.4 (160.5)	37.5 (141.9)	
3 (80)	Factory or Minimum	30 (113.6)	12 (45.4)	230
	Maximum	52.1 (197.2)	46.1 (174.5)	
4 (100)	Factory or Minimum	39.7 (150.3)	19.8 (74.9)	397
	Maximum	73.5 (278.2)	64.2 (242)	
5 (125)	Factory or Minimum	58.7 (222.2)	29.3 (110.9)	654
	Maximum	115 (435.3)	92 (348.2)	
6 (150)	Factory or Minimum	79.2 (300)	39.6 (150)	900
	Maximum	166 (628.3)	123 (465.6)	

Values are ± 10%

Ordering Information

Model Number	Part Number	Description	Weight lbs. (kg)
FS4-3	114400	Liquid flow switch	2.3 (1.0)
FS4-3D	114550	FS4-3 w/2 SPDT switches	3.3 (1.5)
FS4-3F	114625	FS4-3 for sprinkler service	2.3 (1.0)
FS4-3J	114610	FS4-3 w/BSPT threads	2.0 (0.9)
FS4-3S	114641	FS4-3 w/SS/monel construction	2.3 (1.0)
FS4-3DS	114642	FS4-3 w/SS/monel & w SPDT switches	3.3 (1.5)
FS4-3RP	114650	FS4-3 w/reinforced paddle	2.3 (1.0)
FS4-3-5R	114405	FS4-3 w/5 second delay on break	2.3 (1.5)
FS4-3-20	114425	FS4-3 w/20 second delay on make	2.3 (1.5)

NOTE: DO NOT USE LIQUID FLOW SWITCHES ON SYSTEMS WITH FLOW GREATER THAN 10 FEET (3M) PER SECOND.

For Model FS4-3F & FS4-3DF

NPT Pipe Size In. (mm)	Paddle to use Length	TEE Size
1" (25)	1 ¹¹ / ₃₂ " as furnished	1" x 1" x 1" NPT Tee
1¼" (32)	Trim 1½" pipe size paddle with template furnished	1¼" x 1¼" x 1" NPT Tee (Paddle must be bowed for insertion into 1¼" tee)
1½" (40)	2 1/16" as furnished	1½" x 1½" x 1" NPT Tee (Paddle must be bowed for insertion into 1½" tee)

NOTE: ONLY LISTED PIPE SIZES MEET UL REQUIREMENTS FOR FIRE SPRINKLER SYSTEMS.