

Neo-Dyn® Series 110P Pressure Switch/Internal Adjustment

Sensitive Nega-Rate® Belleville spring adjustable pressure switch for low pressure applications.

Operating Pressure Data

Adjustable Range Number	Adjustable Set Point Range		Deadband (approximate)	Maximum Recommended System Pressure	Proof Pressure
	Increasing	Decreasing			
2	10" H ₂ O to 100" H ₂ O	7" H ₂ O to 97" H ₂ O	3" H ₂ O	300	500
4	3 to 15	2.75 to 14.75	.25	300	500

All values given in psig.

Standard Specifications

Electrical

Snap action electrical switch recognized by Underwriters' Laboratories, Inc. and CSA International

Electrical Connection

1/2 NPT female conduit connection with terminal block

Pressure Connection

Wetted Material 1

1/4 NPT Female

Wetted Material 4

1/2 NPT Female

Temperature Range*

Ambient: -40°F to +180°F
(-40°C to +82°C)

Media: -40°F to +300°F
(-40°C to +149°C)

*Temperature limits change with O-Ring selection

Adjustment

Concealed wrench flat adjustment with range scale

Shipping Weight

Approximately 3 pounds



Order Miscellaneous Option "D"



Weather Proof
(NEMA 4 and 13)

Ordering Sequence — Select desired option for each category

OPTIONS

Wetted Material

- 1 Aluminum port, Teflon coated polyimide diaphragm and Buna-N O-Ring
- 4 316 stainless steel port, Teflon coated polyimide diaphragm and Buna-N O-Ring

Adjustable Range

- 2 7" H₂O dec. to 100" H₂O inc. (17 millibar dec. to 249 millibar inc.)
- 4 2.75 psig dec. to 15 psig inc. (0.2 bar dec. to 1.0 bar inc.)

Electrical Form

- C 15 amp at 125 or 250 VAC; 1/8 hp at 125 VAC; 1/4 hp at 250 VAC; .5 amp resistive, .04 amp inductive at 125 VDC
- CC 11 amp, 1/4 hp at 125 or 250 VAC; 5 amp resistive, 3 amp inductive at 28 VDC; .5 amp resistive at 125 VDC
- Z 15 amp at 125 or 250 VAC; 1/4 hp at 125 VAC; 1/2 hp at 250 VAC; 1 amp resistive, .5 amp inductive at 125 VDC

Enclosure

- 3 Meets or exceeds the requirements of NEMA Type 3, 3R, 3S, 4, 4X and 13

Miscellaneous

- A Epoxy paint exterior — extra protection for severe environments
- B Viton O-Ring
- C EPR O-Ring
- D SIL approval and marking, per IEC61508 (includes FMEA report)
- F Fire fuse — for fire-tested equipment (Wetted Material 4 only; not available with G)
- G 1/2 NPT male port (Wetted Material 4 only)
- L Neon indicator light — 115 VAC
- M Gold electrical contacts for extremely low current applications
- P 5-Pin Brad Harrison connector (Reduce AC electrical rating to 8 amps)— (Not for CC3 Electrical)
- S Stainless steel diaphragm (Wetted Material 4 only)
- W Stainless steel screws — exterior (Standard with Wetted Material 4)
- X UL and CSA Approved and CE Mark (Not available with L or P option)

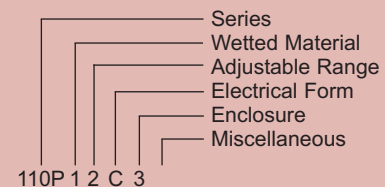
Special (Consult representative or factory)

- Non-catalog adjustable range and/or set point, deadband and proof pressure
- Chemical seals installed

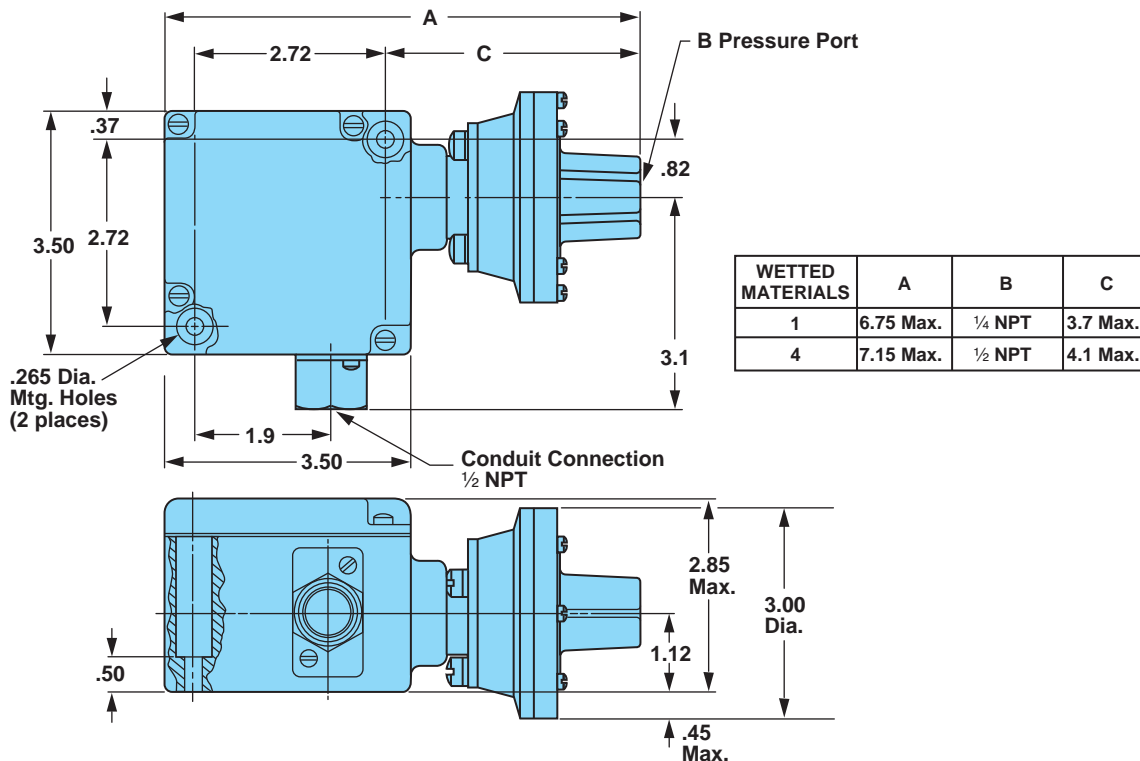
Ordering Procedure

- When factory presetting is desired, stipulate set point, increasing or decreasing
- Insert available option number or letter designation as required

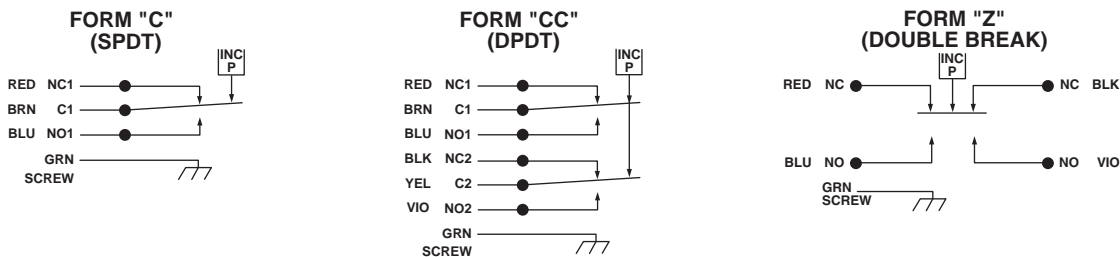
Example



Envelope Dimensions



Electrical Form



Basic Principles of Design

