

## UCL-210 Continuous Ultrasonic Sensor

- Accurate measurement to 12 feet
- Low-cost and compact solution for OEM and process applications
- PVDF transducer and NEMA 4 enclosure

The two-wire UCL-210 Series level transmitters are mounted through the top wall of small or bulk tanks and provide non-contact measurement up to 12 feet. These general purpose devices are ideal for measuring intermediate bulk containers, day tanks, process vessels, plating lines and waste sumps.

Our non-contact technology makes these transmitters an excellent choice for applications with ultra-pure, dirty, coating, scaling or corrosive type liquids. Media examples include ink, ultra-pure water, brine solutions, acids and wastewater.

### Specifications

Accuracy	±0.25% of span
Resolution	0.125"
Output	4-20mA, 2-wire
Loop Resistance	600 ohms @ 36 VDC
Pulse Rate	3/sec. (201010); 2/sec. (201011)
Beam Width	8-degree conical
Failure Mode	22mA
Supply Voltage	12 to 36 VDC
Pressure	30 psi @ 77°F
Temperature	-40°F to +140°F (-40°C to +60°C)
Temperature Compensation	Automatic over entire range
Enclosure Rating	NEMA 4X (IP 65)
Enclosure Material	Polypropylene
Transducer Material	PVDF
Conduit Connection	0.5" NPT
CE Compliance	EN 50082-2 immunity EN 55011 emissions

### Beam Dimensions

See diagram at right.

Part Number	201011											
	201010											
Range (ft)	1	2	3	4	5	6	7	8	9	10	11	12
Radius (in)	1.2	2.1	2.9	3.7	4.9	5.4	6.2	7.1	7.9	8.8	9.6	10.4
Radius (cm)	3.1	5.2	7.3	9.5	11.6	13.7	15.9	18.0	20.1	22.3	24.4	26.5

### How to Order

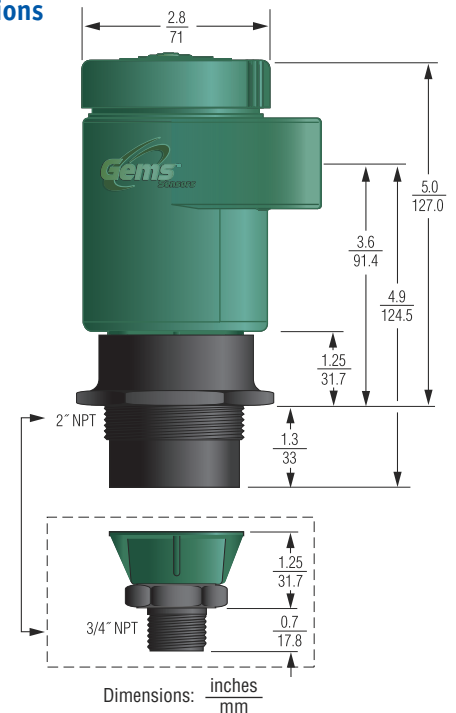
Specify by part number based on measurement range.

Range	Frequency	Dead Band	Mounting	Part Number
3.6' to 6'	83 kHz	3.6"	0.75" NPT	<b>201010</b> ⚡
6" to 12'	50 kHz	6"	2" NPT	<b>201011</b> ⚡

⚡ = Stock item



### Dimensions



### Beam Dimensions

