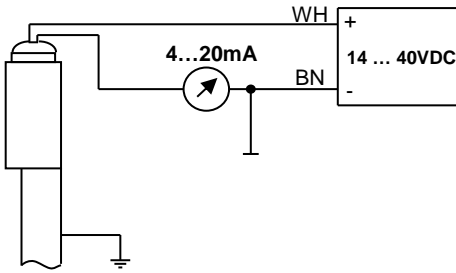


External electrical connections



Description

Transmitter, 4...20mA current output for use with WEKA Visual Level Indicators media temperature ≤ 150°C

The transmitter is mounted outside of the float chamber opposite to the indication rail (see datasheet 20010501). The magnet inside the float activates the reed switches in the transmitter, depending on the level of liquid in the float chamber, thereby changing the effective value of a resistance network. The resulting voltage output is converted by an internal electronic circuit to a 4...20mA signal. If the liquid level rises above the measuring range of the transmitter (30 mm) the output signal jumps to 115% (ca. 22,5mA) and remains on that limit.

Product code:

31967-010-10 10mm resolution
31967-010-05 5mm resolution
M el. = Measuring length in mm

[For details see page 2](#)

Dimensions

Internal circuit

Resolution

31967-010-10 10mm
31967-010-05 5mm

Transmitter housing tube dia.

Ø 14 / 10 Ø 17 / 14

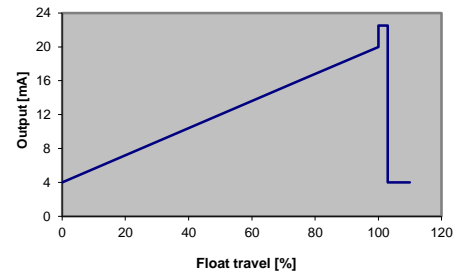
Measuring length "M el."

200mm (min.) to 4000mm (max.)

Longer M el. available with types 34067, 34167, and 34267 (more piece design)

Signal output

4...20mA current loop



Loop supply voltage

14 ... 40VDC

Operating temperature

Media temperature -50°C ... +150°C
Ambient temperature (Ta) -20°C ... +50°C

Enclosure

IP68 - 10bar (EN60529)

Materials

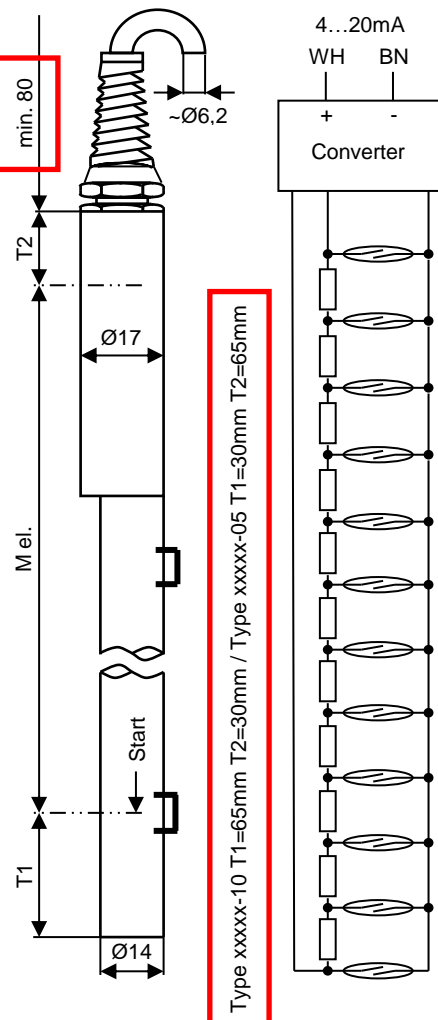
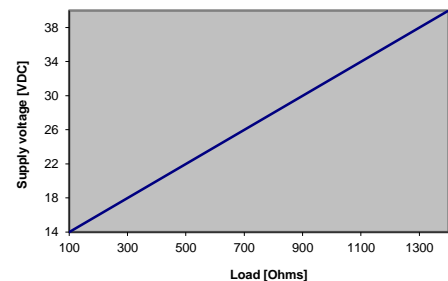
Housing tube
Cable gland
- Seal
Cable (Standard 5m)

Stainless steel 316 / 316L
PA: with bend protection, grey
Perbunan (NBR)
PVC: grey, 2 x 0.75mm², Ø ~ 6.2mm, shielded, largely resistant to oils/petroleum products
Polyester: silver, black printing

Type label

Output load

max. 100Ω at 14VDC
max. 1.4KΩ at 40VDC



Fixation

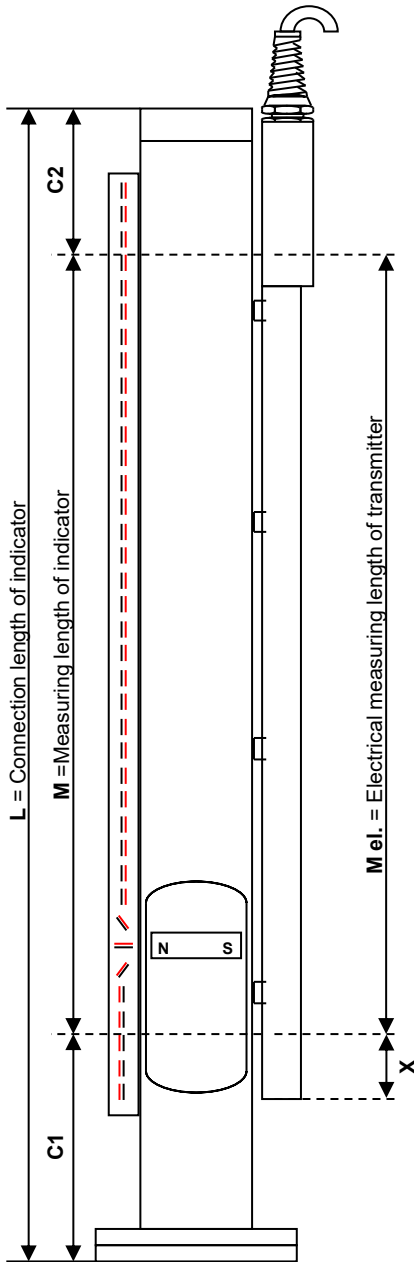
When ordering level indicators with transmitters, hose clamps are included.
When ordering transmitters as spare parts, hose clamps are never included and must be ordered separately.
In case of ordering hose clamps pipe size must be indicated:

For pipe diameter	30...40mm	Part no.	80648
For pipe diameter	40...57mm and 57...80mm	Part no.	84043

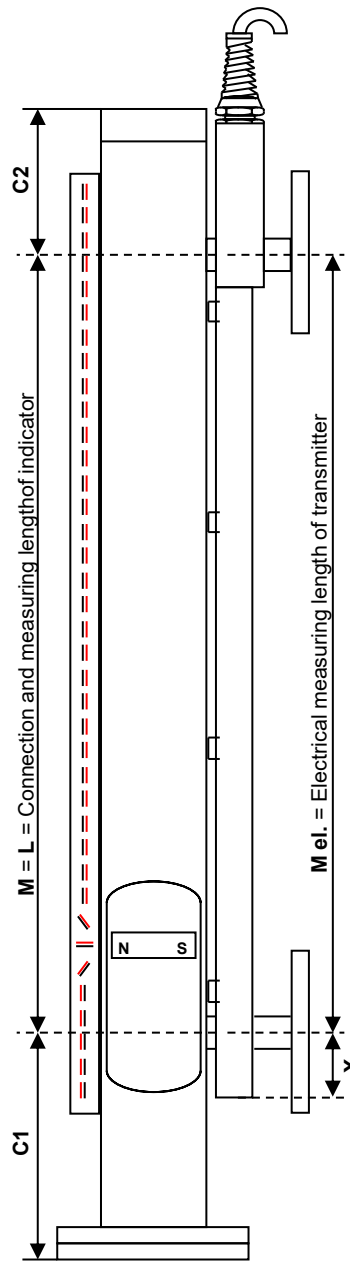
Note

Please read the instructions in our datasheet 20010501 before performing installation.

Level Indicator A-version



Level Indicator K-version



Terminology:

- L = Length between process connections
- M = Measuring length (indication length) of level indicator
- M el. = Measuring length of transmitter
- C1 = Bottom float extension
- C2 = Top float extension
- X = Initiating point of transmitter
 - 10 mm resolution -> X = 65 mm
 - 5 mm resolution -> X = 30 mm
 - 29710-R-xx version -> see datasheet

Visual level indicators version -A and -K are recommended for most applications.

Visual level indicators version -B and -O may require special dimensions and should be confirmed by WEKA before ordering.

Transmitter length:

Type -K and -O magnetic level indicators:
 M el. = M = L or M el. = according to customer order (<M)

Type -A and -B magnetic level indicators:
 M el. = M or M el. = according to customer order (<M)

Note:

When M el. < M, then a bi-stable reed switch is necessary.
 For transmitters type 29710-R-x-010-xx M el. must be > M.