

DIPTAPE Visual Level Indicators – Manually Operated

These manually-operated indicators are compact and completely self-contained. They need no electricity to provide continuous indication of liquid level in storage tanks and vessels. DIPTAPE Indicators are ideal for quick, periodic readouts that are accurate to 1/16 inch or 1 mm; especially in remote areas where power is unavailable, or undesirable. Only the float and stem contact the liquid, so the readout tape is always clean and readable.

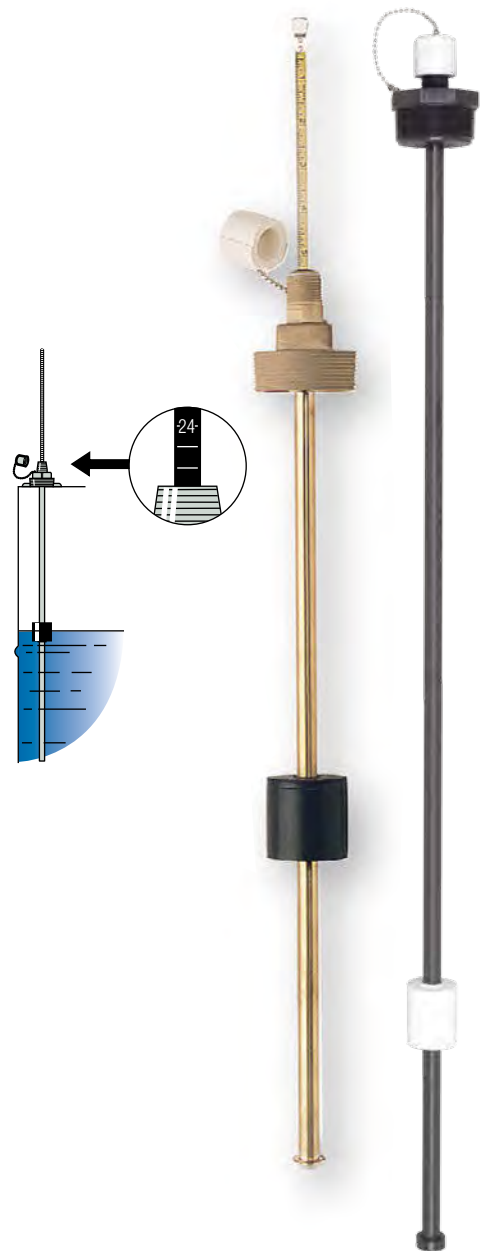
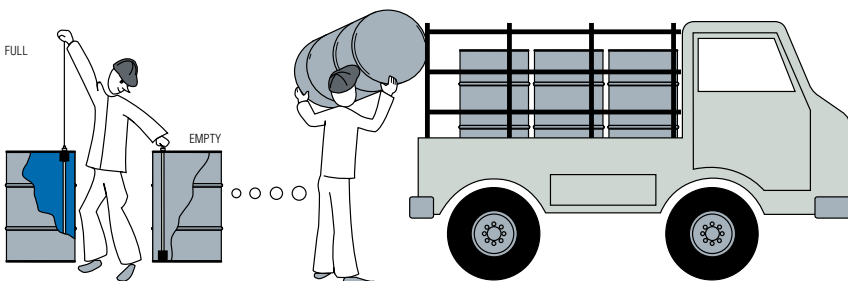
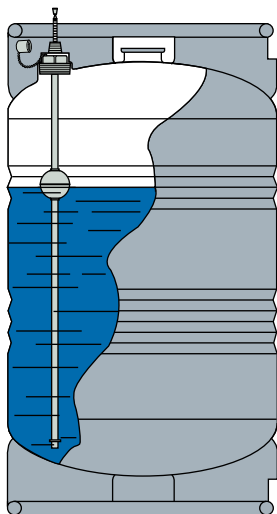
Custom-configurable DIPTAPE Indicators described on the following pages are available in a broad range of materials and mounting types in lengths to six feet (1.8 m). For lengths six to ten feet, consult factory.

General Operating Principle

A magnet-equipped float moves with liquid level along the unit stem, inside the storage vessel. Level readout is obtained by simply removing the protective cap atop the unit and lifting the calibrated indicator (within the unit) until magnetic interlock with the float is felt. The indicator is held at this point and level is read where the calibration aligns with the top of the mounting. The indicator is then lowered back inside the unit for storage and is protected by the screw type cap when not in use.

Typical Application

Refillable, portable chemical tanks are monitored and exchanged when empty. DIPTAPE Indicators maintain a “closed” system on tanks or drums containing environmentally hazardous liquids and vapors. Plus, their rugged construction stands up to the rigors of transportation.



LEVEL INDICATORS – VISUAL

Contents	Page Start
All-PVC Versions	D-20
Engineered Plastic Versions	D-21
Alloy Versions	D-22

DIPTAPE™ Indicators – Alloy Versions

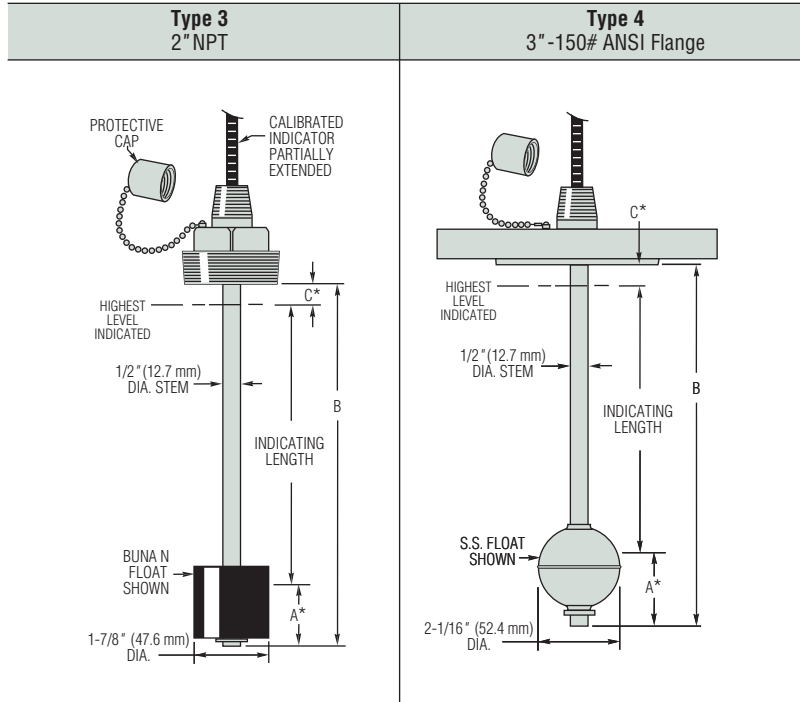
- ▶ Temperatures to 300°F (148°C)
- ▶ Pressures to 750 PSI (52 bar)

Rugged brass or stainless steel units are ideal for use in water and oils. Select these units for best temperature and pressure capabilities.

1. Mounting Types

“B” Dimension
(Length Overall):
Indicating Length + A + C

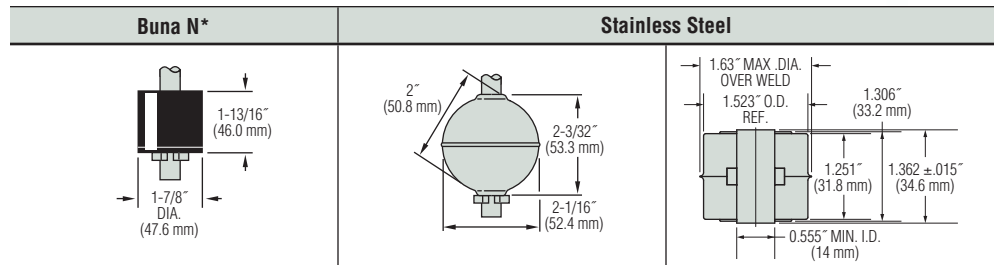
Note: Dimensions “C” and “A”
are dependent on float selected.
See Float Types below.



Stem and Mounting Material	Brass or 316 Stainless Steel	316 Stainless Steel Stem with Carbon Steel or 316 Stainless Steel Flange
Indicating Length**	6" to 72" (15.2 cm to 182.9 cm)	
Std. Indication Markings	1/16" or 1 mm increments	

* Dimensions listed below, under “Float Types.”
** For longer lengths, please contact factory.

2. Float Types



Float Part Number	73710	73709	138935
Min. Liquid Specific Gravity	0.45	0.67	0.67
Operating Temperatures	Oil: -40°F to +230°F (-40°C to +110°C) Water: to 180°F (+82.2°C)	-40°F to +300°F (-40°C to +148.8°C)	-40°F to +220°F (-40°C to +104°C)
Operating Pressure, Max.	300 psi (21 bar) max. @ 77°F (25°C)	750 psi (52 bar) Mounting Type 3 150 psi (10 bar) Mounting Type 4	150 psi (10 bar)
“A” Dimension (From Mounting Types)	1-1/4" (31.7 mm)	1-3/8" (34.9 mm)	1" (25.4 mm)
“C” Dimension (From Mounting Types)	11/16" (17.5 mm)	3/4" (19.05 mm)	9/16" (14.3 mm)

*Other Wetted Material: Hysol.

ORDER IT!
Ordering is Easy! See Page D-23.
Easy online ordering too!

<p align="center">FAX IT! 860-747-4244</p> <p>Photocopy This Form Use one form for each product type you are selecting. <small>This form may also be completed online at gemssensors.com for RFQ.</small></p>	This is a <input type="checkbox"/> Request for a Quote <input type="checkbox"/> Order P.O.# _____	Name _____ Company _____
	Quantity Needed _____ Date Required ___/___/___	Street _____ City _____ State ____ Zip _____
Shipping Method: _____ Partials Accepted: <input type="checkbox"/> Yes <input type="checkbox"/> No	Phone (_____) _____ Fax (_____) _____	

DIPTAPE Level Indicators

Application Environment Conditions

This information is essential to the accurate and proper operation of your DipTape Level Indicators. Please complete fully and accurately.

- | | |
|--|--------------------------------|
| 1. Liquid Media: _____ | 5. Viscosity: _____ SSU |
| 2. Pressure: Minimum _____ psig Maximum _____ psig | 6. Tank Material: _____ |
| 3. Temperature: Minimum _____ °F Maximum _____ °F | 7. Tank Depth: _____ |
| 4. Specific Gravity: Minimum _____ Maximum _____ | |

1. Mounting Type:

- | | |
|---------------------------------|---------------------------------|
| <input type="checkbox"/> Type B | <input type="checkbox"/> Type C |
| <input type="checkbox"/> Type 3 | <input type="checkbox"/> Type 4 |

2. Material:

- | | | |
|--------------------------------|--|--|
| <input type="checkbox"/> PVC | <input type="checkbox"/> PVDF | <input type="checkbox"/> Polypropylene |
| <input type="checkbox"/> Brass | <input type="checkbox"/> 316 Stainless Steel | |
- Flange – Alloy Version:
- 316 Stainless Steel Carbon Steel

3. Float Types:

- | | | |
|---------------------------------|--|--|
| <input type="checkbox"/> PVC | <input type="checkbox"/> PVDF | <input type="checkbox"/> Polypropylene |
| <input type="checkbox"/> Buna N | <input type="checkbox"/> 316 Stainless Steel | |

4. Stem Length (Length Overall) "B"

Dimension B = _____ inches
 centimeters
 Max. indicating length 72".
 Other lengths, consult factory.

Please contact Gems for any configuration or special requirements not covered on this form. **800-378-1600**

Quote: \$ _____ Date Quoted: ___/___/___

