

020-0783 & -0799 have 1/2" NPT conduit thread for fitting of terminal heads or electrical conduit. Locally fitted heads available in: 316SS, Alum., PP.

FLOW SWITCHES

FS-200E 2.0 - 30 (l/min) with pre-adjusted set points
 FS-200E-A 3.0 - 57 (l/min) adjustable set points

SHUTTLE TYPE

The FS-200E flow switch offers accurate flow detection with 1% repeatability and European G1" port size. The durable construction delivers long life repeatability in either water or oil. The design of large flow paths keep pressure drop low, thus are ideal for detection of flow in high volume lubrication, cooling or process applications. The FS-200E Adjustable versions offer the same accuracy with the additional feature of external adjustment.

Specifications

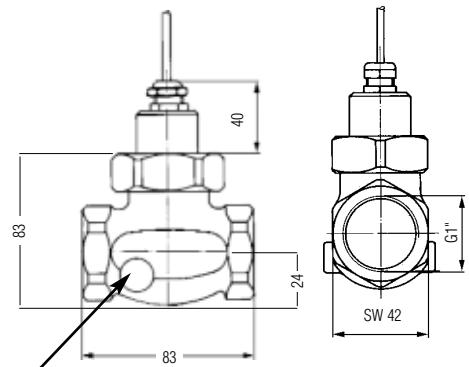
(all data related to water at +20°C)

Max. flow	85 l/min
Max. operating pressure	27 bar
Proof pressure	45 bar
Temperature range	- 20 °C to +80 °C (cable, plug connector) - 20 °C to +150 °C (terminal box)
Set points	see order number
Switching function (related to increasing flow)	SPDT
Factory calibration position	horizontal, electrical connection up
Mounting orientation	any position
Repeatability	± 1%
Adjustment accuracy	±10%
Hysteresis	max. 15%
Mounting	G1"
Electrical connections	- cable: PVC, 3 x 0.34 mm ² (length: approx. 1 m) - plug connector per DIN 43650 - terminal box
Enclosure	- IP65
Electrical data contact rating	20 VA, 0.5 A, 250 V~
Weight	approx. 1.2 kg



Adjustment vane on FS-200E-A

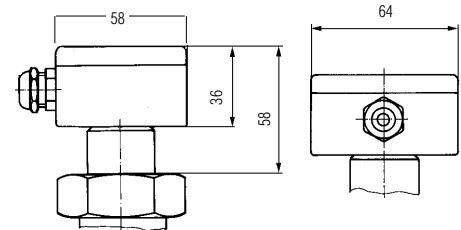
Dimensions (in mm)



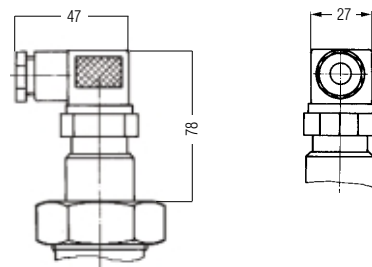
Adjustment vane on FS-200E-A

- Housing: Bronze
- Disc: Stainless Steel
- Spring: Stainless Steel
- O-Ring: Viton®
- Magnet: PTFE/Ceramic

Terminal Box



Plug Connector



2.0 lpm 020-0783 with 1/2" NPTM conduit connection
7.5 lpm 020-0799 with 1/2" NPTM conduit connection

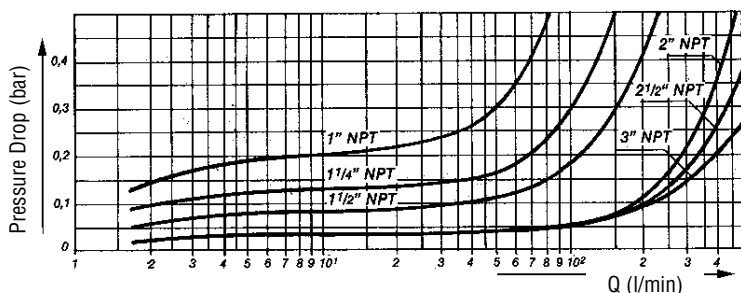
Set points (l/min)	Cable	Terminal box	Plug connector
2.0	020-2393	020-2401	020-3481
4.0	020-2394	020-2402	020-3482
7.5	020-2395	020-2403	020-3483
11.5	020-2396	020-2404	020-3484
15.0	020-2397	020-2405	020-3485
19.0	020-2398	020-2406	020-3486
22.5	020-2399	020-2407	020-3487
30.0	020-2400	020-2408	020-3488

Order numbers for FS-200E-A

Set points (l/min)	Cable	Terminal box	Plug connector
3.0 ... 22.5	020-2413	020-2416	020-3489
7.5 ... 30.0	020-2415	020-2418	020-3491
19.0 ... 57.0	020-2414	020-2417	020-3490

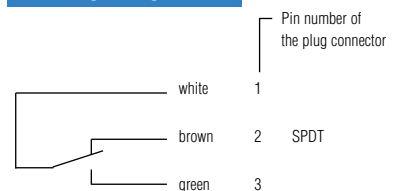
Pressure Drop Diagram

(at min. set point adjustment)



Standard Products in **bold**

Wiring Diagram



FLOW SWITCHES

www.gems-sensors.co.uk

**Junction box alternatives
 for
 flow and level switch units**



Small size housings for max 32V, IP65 rating, ¼ and ½" connections internal terminal strip Dims: 60mm dia x 80 mm high		
Aluminium Small 32V IP65	JB-ALS-32V-65-1 (1/4") JB-ALS-32V-65-2 (1/2") Painted aluminium case M16 NPB cable gland supplied	
Stainless Small 32V IP65	JB-SSS-32V-65-2 Full 316SS case M16 SS cable gland supplied	
Medium size housings for max 32V, IP65 rating, 1/2" connection internal terminal strip on SS bracket Dims: 70mm dia x 75 mm high		
Aluminium Medium 32V IP65	JB-ALM-32V-65-2 Painted aluminium case M20 cable entry (no gland)	
Stainless Medium 32V IP65	JB-SSM-32V-65-2 Full 316SS case Order M20 SS cable gland separately	
Large size housings for max 250V, IP65 rating, 1/2" connection Painted earth terminals both inside and outside housing. Cover locking screw internal terminal strip on SS bracket Dims: 82mm dia x 94 mm high		
Aluminium Large 240V IP65	JB-ALL-240V-65-2 Painted aluminium case M20 cable entry (no gland)	
Stainless Large 240V IP65	JB-SSL-240V-65-2 Full 316SS case Order M20 SS cable gland separately	

**Junction box alternatives
for
flow and level switch units**



FS-200 with JB-ALL-240V-65-2



FS-550 with JB-SSL-240V-65-2
and SS cable gland



Typical internals of wired large 240V
junction box



Typical Gems level sensors with
junction box fitted