



Control Components Pty Ltd

ABN 24 080 175 293

PO Box 212

Caringbah NSW 1495

Sydney Australia

ph: +61 (0)2 9542 8977

fx: +61 (0)2 9542 7978

www.controlcomponents.com.au

HELP@controlcomponents.com.au



Magnetic level indicators made in Australia under licence to Weka AG of Switzerland.

Simply click on the indicator type (blue numbers) to go to the specific data sheet. (Acrobat only)

Indicator Model	Drawing Number	Description	Material
23013	13.02A	Top of Tank - ball float	316SS
25270	13.03A	Top of Tank - guided float	316SS



Magnetic Level Indicator

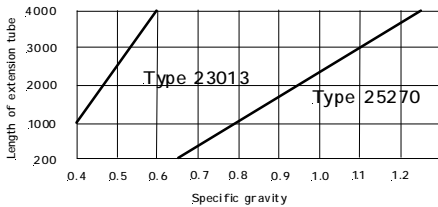
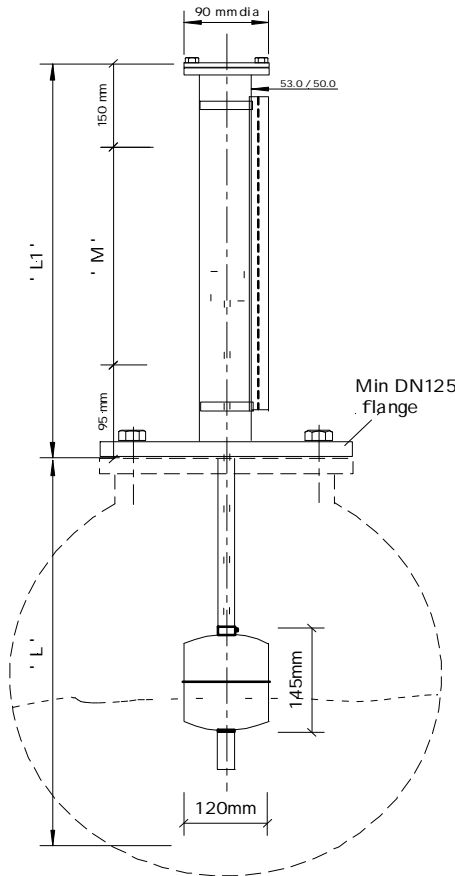
23013

Top of tank indicator

Data Sheet: 13.02A

Technical Data

Operating Conditions



Media max 150cst
Density min 0.6 g/cm³

Pressure / Temperature
 Operating pressure max 16 bar (1600kPa)
 Design pressure
 Operating temperature max 250°C
 Design temperature max 250°C

	bar
	bar
	°C
	°C

Indicating Rail
 Makrolon Red (std), Yellow, Blue (150°C max)
 Aluminium Red (250°C max)
 Polyolefin cover Heat shrink protection (135°C max)

Materials
 Float chamber 316 / 316L
 Float 316L (model number)

--

Dimensions
 Dimension 'L' M + minimum 152mm
 Dimension 'L1' M + 245mm
 Length of extension tube L - 46mm
 Visual Indication M

	mm
	mm
	mm
	mm

Connections
Type 23013:
 Flange standard: DIN2527 (std), ANSI (B16.5), BS
 Flange size: NB 125 (std), 150, 200 mm
 Class / rating: Class150, D/E
 Flange facing: Flat

	mm
	mm
	mm

Optional (at extra cost)
 Vent: 1/2" (std), BSP or NPT, M or F
 Vent valve: SS ball BSP or NPT (female)

	M / F

Accessories

Magnetic switches: Qty:
 Transmitter: Control range mm:

Model:	<input type="text"/>
Model:	<input type="text"/>

Special Requirements

Material Certificate
 Non-Destructive Testing: Dye Penetrant / X-Ray
 Instrument tags (20x40mm of 316SS)
 Armaflex insulation 19mm thick; -40 to 85 deg C
 Protection tubing (Polyolefin cover for indication rails)
 Measuring Scale

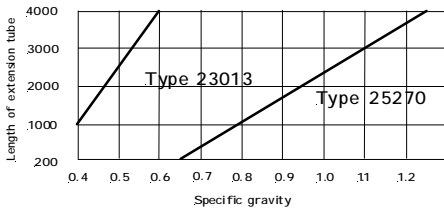
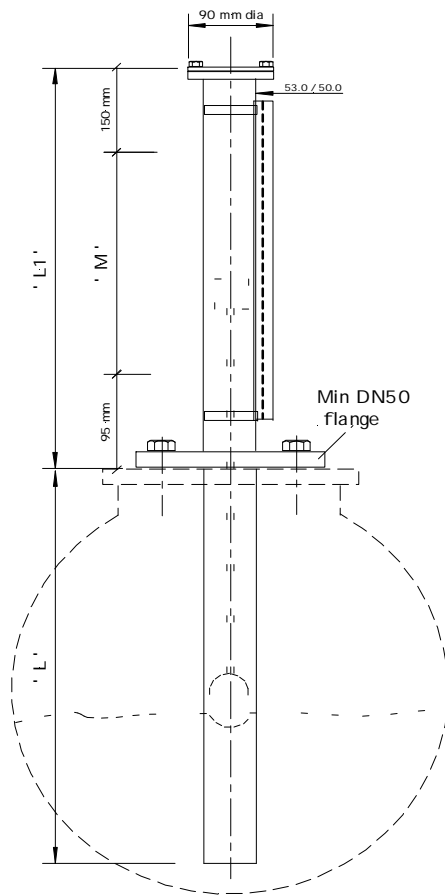
Notes

--

Factory use only:	
CCPL	Rev
Quote:	
Quantity:	
Customer:	
Customer PO & Date:	
Serial Number:	
Mnfr Date:	
CCPL Invoice:	

Made under licence by:
Control Components Pty Ltd
 Ph: +61 (0)2 9542 8977 Fx: +61 (0)2 9542 7978
HELP@controlcomponents.com.au





Technical Data

Media	max 150cst
Density	min 0.6 g/cm ³
Pressure / Temperature	
Operating pressure	max 16 bar (1600kPa)
Design pressure	
Operating temperature	max 250°C
Design temperature	max 250°C

Indicating Rail

Makrolon	Red (std), Yellow, Blue (150°C max)
Aluminium	Red (250°C max)
Polyolefin cover	Heat shrink protection (135°C max)

Materials

Float chamber	316 / 316L
Float	316L (model number)
Gasket	

Dimensions

Dimension 'L'	M + minimum 200mm
Dimension 'L1'	M + 245mm
Length of extension tube	L - 140mm
Visual Indication	M

Connections

Flange standard:	DIN2527 (std), ANSI (B16.5), BS
Flange size:	NB 50 (std) mm
Class / rating:	Class150, D/E
Flange facing:	Flat

Optional (at extra cost)

Vent:	1/2" (std), BSP or NPT, M or F
Vent valve:	SS ball BSP or NPT (female)

Operating Conditions

	bar
	bar
	°C
	°C

	mm
	mm
	mm
	mm

Type 25270 - Top of Tank mounting.

	mm

	mm

	M / F

Factory use only:	
CCPL	Rev
Quote:	
Quantity:	
Customer:	
Customer PO & Date:	
Serial Number:	
Mnfr	
Date:	
CCPL	
Invoice:	

Accessories

Magnetic switches:	Qty:		Model:	
Transmitter:	Control range mm:		Model:	

Special Requirements

Material Certificate	
Non-Destructive Testing:	Dye Penetrant / X-Ray
Instrument tags	(20x40mm of 316SS)
Armaflex insulation	19mm thick; -40 to 85 deg C
Measuring Scale	
Support brackets	

Notes

Made under licence by:

Control Components Pty Ltd

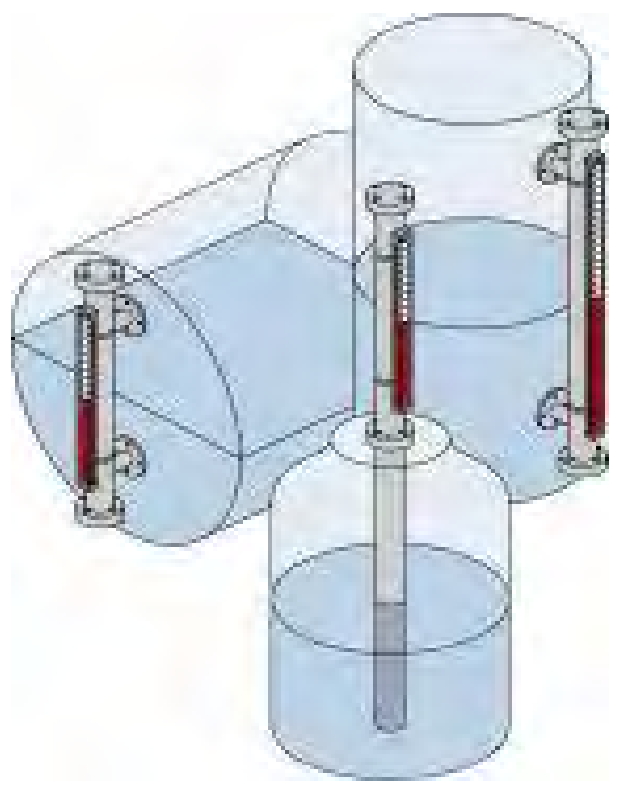
Ph: +61 (0)2 9542 8977 Fx: +61 (0)2 9542 7978

HELP@controlcomponents.com.au





3400 and 34300 flanged side mount units



Typical tank styles and indicator mounting

25270B

25270A



Typical top of tank models



Weka 25270 Top of Tank model
on external chamber.



