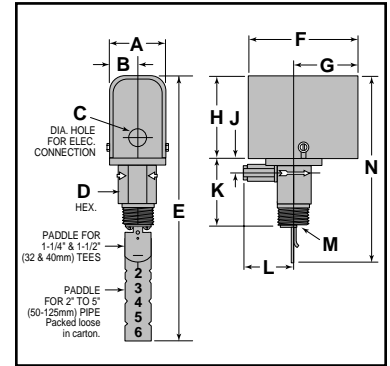


## Flow Switches – Liquid (continued)

### Series FS7-4A Industrial Liquid Flow Switches

- For pneumatic control applications
- 1¼" (32mm) NPT
- ⅛" (4mm) NPT air line tapping
- Brass with sealed tube construction
- Air valve
- Sensitivity adjusting screw makes flow adjustment easy
- Paddles can be trimmed to suit application needs
- Minimum temperature (fluid or ambient) -32°F (0°C)
- Maximum temperature 300°F (149°C)
- Maximum air valve pressure 50 psi (3.5 kg/cm<sup>2</sup>)
- Maximum operating pressure 300 psi (7 kg/cm<sup>2</sup>)



### Dimensions, in. (mm)

A	B	C	D	E	F	G
2 <sup>7</sup> / <sub>8</sub> (73)	1 <sup>7</sup> / <sub>16</sub> (37)	<sup>7</sup> / <sub>8</sub> (22)	1 <sup>3</sup> / <sub>4</sub> (45)	13 <sup>9</sup> / <sub>16</sub> (349)	5 <sup>13</sup> / <sub>16</sub> (148)	3 <sup>3</sup> / <sub>8</sub> (86)
H	J	K	L	M	N	
4 <sup>1</sup> / <sub>8</sub> (105)	1 <sup>5</sup> / <sub>16</sub> (24)	3 <sup>7</sup> / <sub>16</sub> (87)	2 <sup>5</sup> / <sub>8</sub> (67)	1 <sup>1</sup> / <sub>4</sub> (32) NPT	9 <sup>1</sup> / <sub>2</sub> (241)	

## Flow Rates

Pipe Size NPT in. (mm)	Settings	Mode of Operation		Max. Flow Rate gpm (lpm) w/o Paddle Damage
		Flow gpm (lpm)	No Flow gpm (lpm)	
1¼ (32)	Factory or Minimum	4.8 (18.2)	3 (11.4)	47 (177.9)
	Maximum	7.7 (29.1)	5.9 (22.3)	
1½ (40)	Factory or Minimum	6.3 (23.8)	3.6 (13.6)	63 (238.5)
	Maximum	10 (37.9)	7 (26.5)	
2 (50)	Factory or Minimum	9.9 (37.5)	5.9 (22.3)	105 (397.4)
	Maximum	15.8 (59.8)	11 (41.6)	
2½ (65)	Factory or Minimum	15.3 (57.9)	9.5 (36)	149 (564)
	Maximum	23.7 (89.7)	17 (64.3)	
3 (80)	Factory or Minimum	24.4 (92.4)	15.4 (58.3)	230 (870.6)
	Maximum	35.5 (134.4)	29.2 (110.5)	
4 (100)	Factory or Minimum	33.3 (126)	21.1 (79.9)	397 (1502.7)
	Maximum	61.4 (232.4)	37.7 (142.7)	
5 (125)	Factory or Minimum	44.4 (168.1)	31 (117.3)	654 (2475.4)
	Maximum	84 (317.9)	51 (193)	
6 (150)	Factory or Minimum	56.3 (213.1)	48.7 (184.3)	900 (3406.5)
	Maximum	114.8 (434.5)	71 (270.6)	
8 (200)*	Factory or Minimum	104 (393.6)	89 (336.9)	1,500 (5677.5)
	Maximum	210 (794.9)	131 (495.8)	
10 (250)*	Factory or Minimum	184 (696.4)	157 (594.2)	2,500 (9462.5)
	Maximum	369 (1397)	231 (874.3)	
12 (300)*	Factory or Minimum	289 (1094)	247 (934.9)	3,500 (13,247.5)
	Maximum	582 (2203)	363 (1374)	
14 (355)*	Factory or Minimum	387 (1465)	323 (1223)	4,000 (15,140)
	Maximum	753 (2850)	495 (1874)	
16 (405)*	Factory or Minimum	513 (1942)	428 (1620)	5,000 (18,925)
	Maximum	998 (3777)	656 (2483)	

Values are ± 10%

\* Equipped with a 6" (152mm) paddle

## Ordering Information

Model Number	Part Number	Description	Weight lbs. (kg)
FS7-4A	119710	Industrial flow switch w/air valve	5.5 (2.5)

**NOTE: DO NOT USE LIQUID FLOW SWITCHES ON SYSTEMS WITH FLOW GREATER THAN 10 FEET (3M) PER SECOND.**