

# Low Water Cut-Offs – Float Type For Steam Boilers

## Series 150S



### Low Water Cut-Off/Pump Controllers

- For commercial and industrial low or high pressure boiler applications
- For boilers of any steaming capacity
- Monel bellows provides corrosion resistance
- Snap action switches for high temperature service
  - 1 Single pole, single throw switch for pump control
  - 1 Single pole, double throw switch for low water cut-off and alarm actuation
- Optional features
  - Manual reset
  - 2 Single pole, single throw switches
  - 2 Single pole, double throw switches
  - Float block
  - BSPT threads
- Maximum pressure 150 psi (10.5 kg/cm<sup>2</sup>)

## Model 150S-MD

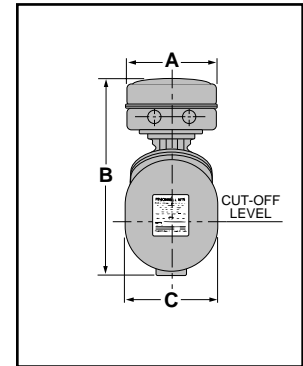
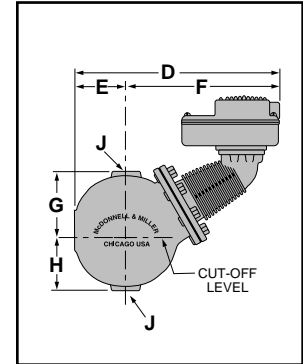
### Maximum differential operation

- Prevents nuisance burner shutdowns in **low pressure** applications
- Maximum operating pressure 50 psi (3.5 kg/cm<sup>2</sup>)



Series 150S

with MERCURY FREE Snap-Action Switches



## Electrical Ratings

Voltage	Pump Circuit Rating (Amperes)		Pilot Duty
	Full Load	Locked Rotor	
120 VAC	7.4	44.4	345 VA at 120 or 240 VAC
240 VAC	3.7	22.2	

Alarm Circuit Rating (Amperes)	
Voltage	Amps
120 VAC	1
240 VAC	1/2

## Ordering Information

Model Number	Part Number	Description	Weight lbs. (kg)
150S	171702	Combination low water cut-off/pump controller	24.7 (11.2)
150S-B	171903	150S w/float block	24.7 (11.2)
150S-B-M	172104	150S-B w/manual reset	24.7 (11.2)
150S-J	172601	150S w/BSPT threads	24.7 (11.2)
<b>150S-MD</b>	<b>171802</b>	<b>150S w/maximum differential</b>	<b>24.7 (11.2)</b>
150S-M	172702	150S w/manual reset	24.7 (11.2)
<b>150S-M-MD</b>	<b>172802</b>	<b>150S-M w/maximum differential</b>	<b>24.7 (11.2)</b>
150S-J-M	172901	150S-M w/BSPT threads	24.7 (11.2)
158S	178402	150S w/2 SPDT switches	26.3 (11.9)
158S-M	178502	158S w/manual reset	27.3 (12.4)
159S	178802	150S w/2 SPST switches	26.0 (11.8)

## Dimensions, in. (mm)

A	B	C	D
5 <sup>7</sup> / <sub>8</sub> (149)	12 <sup>17</sup> / <sub>16</sub> (316)	6 (152)	13 <sup>1</sup> / <sub>4</sub> (337)

E	F	G	H	J
3 <sup>5</sup> / <sub>16</sub> (84)	9 <sup>15</sup> / <sub>16</sub> (252)	4 <sup>1</sup> / <sub>8</sub> (105)	3 <sup>7</sup> / <sub>16</sub> (87)	1 (25) NPT