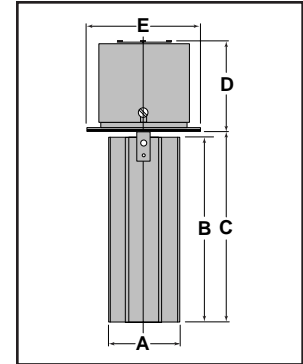


## Flow Switches – Air

### Series AF3 Air Flow Switches



- For general purpose low velocity applications where the most economical flow switch is desired
- Paddle fits 8" (203mm) minimum duct size
- Two electrical knock-outs allow connection from either end
- Brass, steel and aluminum construction
- Single pole, double throw snap switch
- Sensitivity adjusting screw makes flow adjustment easy
- Can be equipped with a time delay relay
- Optional feature
  - Two SPDT snap switches
- Minimum ambient temperature 32°F (0°C)
- Maximum temperature 275°F (135°C)



### Electrical Ratings

Voltage	Motor Switch Rating (Amperes)		Pilot Duty
	Full Load	Locked Rotor	
120 VAC	7.4	44.4	125 VA at 120 or 240 VAC 50 or 60 cycles
240 VAC	3.7	22.2	

### Dimensions, in. (mm)

A	B	C	D	E
2 <sup>3</sup> / <sub>4</sub> (70)	7 <sup>1</sup> / <sub>8</sub> (181)	7 <sup>11</sup> / <sub>32</sub> (186.5)	3 <sup>7</sup> / <sub>16</sub> (87)	4 <sup>3</sup> / <sub>8</sub> (111)

## Flow Switches – Air (continued)

### Series AF3 (continued) Air Flow Switches

**Flow Rates** – feet per minute (meters per minute) using standard paddle

#### Horizontal Duct (Recommended Installation)

Model Number	Settings	Mode of Operation	
		Flow fpm (mpm)	No Flow fpm (mpm)
AF3	Factory or Minimum	235 (72)	175 (53)
	Maximum	1445 (440)	1365 (416)
AF3-D	Factory or Minimum	295 (90)	220 (67)
	Maximum	1445 (440)	1000 (305)

Based on Standard Air 0.075 pounds per Cubic Foot (1.205 kg/m<sup>3</sup>)  
Values are ± 10%

#### Vertical Duct (Upward Flow)

Model Number	Settings	Mode of Operation	
		Flow fpm (mpm)	No Flow fpm (mpm)
AF3	Factory or Minimum	450 (137)	430 (131)
	Maximum	1470 (448)	1395 (425)
AF3-D	Factory or Minimum	560 (171)	540 (165)
	Maximum	1470 (448)	1030 (314)

Based on Standard Air 0.075 pounds per Cubic Foot (1.205 kg/m<sup>3</sup>)  
Values are ± 10%  
Consult factory for downward flow

### Ordering Information

Model Number	Part Number	Description	Weight lbs. (kg)
AF3	123200	Low velocity air flow switch	1.7 (.77)
AF3-D	123450	AF3 w/2 SPDT switches	2.0 (.9)