

# PS-K Series – Economical Industrial Pressure Switch

PRESSURE SWITCHES

- ▶ 20 Amp Switching Capabilities
- ▶ Wear Disc Design for Longer Life
- ▶ 9000 PSI (600 bar) Proof Pressure

Gems PS-K Series pressure switches incorporate a wear disc and cushioning ring that provide resistance to pressure surges. The industrial enclosure houses a 20 Amp switch featuring a dead band adjustment. The switches use a piston/diaphragm design, which combines the high proof pressure of piston technology with the sensitivity of diaphragm designs. The switches can be field or factory adjusted.

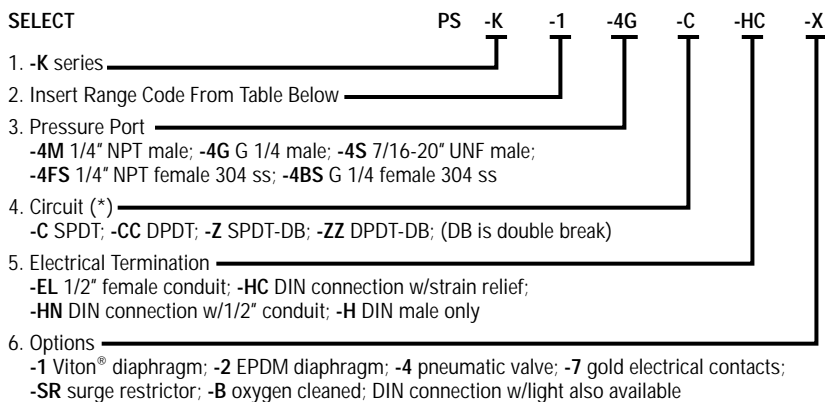
### Specifications:

Ambient Temperature	-40°F to +176°F (-40°C to +80°C)
Switch	20 Amp SPDT@120/240 VAC and 12/24 VDC (>2 million cycles @ 1000 psi)
Approvals	Microswitch is UL and CSA Recognized
Repeatability	2% of Highest Set Point @ 70°F (20°C)
Wetted Parts	Buna-N (Optional EPDM or Viton®)
Diaphragm Fitting	Zinc-Plated Steel or 316 SS
Housing	IP65 (Nema 4) Reinforced Plastic and Zinc-Plated Steel
Pressure Port	G or NPT 1/4" Male or Female (Optional 7/16"-20 UNF male male)
Electrical Termination	DIN 43650A or 1/2" NPTF Conduit
Weight, Approximate	1 lb. (0.45 kg)

\*Optional

### How To Order

Use the **Bold** characters from the chart below to construct a product code.



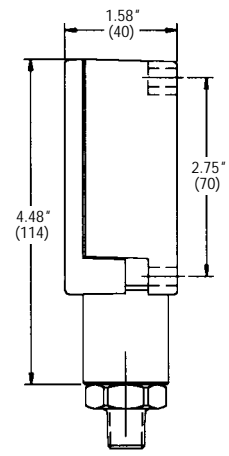
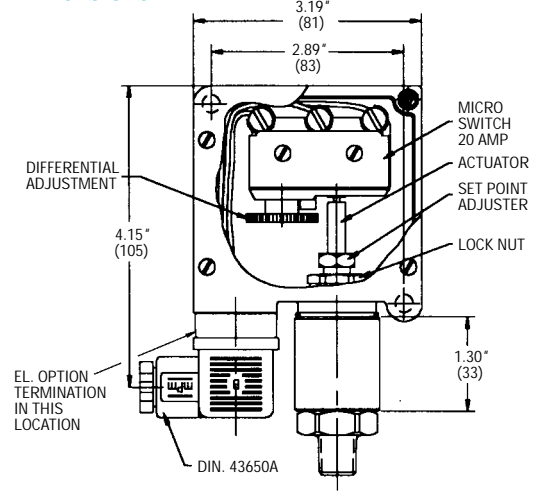
Note: (+) for factory-set units indicate setting and units followed by -R for rising or -F for falling

**Example:** PS-K-50psi-R-4M-C-EL (50psi, Rising, SPDT-1/2" female conduit)  
(\*) adjustable differential on -C SPDT option, other options have fixed differentials

Pressure Range Code	Pressure Range		Adjustable Deadband		Proof Pressure	
	PSI	Bar	PSI	Bar	PSI	Bar
-5	5-25	0,35-1,7	3-6	0,17-0,43	500	35
-1A	15-75	1-5	8-19	0,5-1,25	9000	600
-1	50-150	3,5-10	15-37	1-2,5	9000	600
-2	150-650	10-45	65-160	4,5-11	9000	600
-3	500-1750	35-120	175-430	12-30	9000	600
-4A	1000-3500	70-240	300-875	24-60	9000	600
-4	2500-6000	170-420	600-1500	42-105	9000	600



### Dimensions



### Wiring

DIN	
Common	#1
N.C.	#2
N.O.	#3