

# PS-D Series – General Purpose Differential Pressure Switch

- ▶ Compact Range
- ▶ Can Be Mounted in Tight Spaces
- ▶ Rugged Housing

The PS-D Series' compact design enables them to be mounted in tight spaces. The switches use a piston/diaphragm design which incorporates the high proof pressure of piston technology with the sensitivity of diaphragm design. The PS-D series switches may be field or factory adjusted via a hex head screw inside the low port, protecting them against unauthorized tampering.

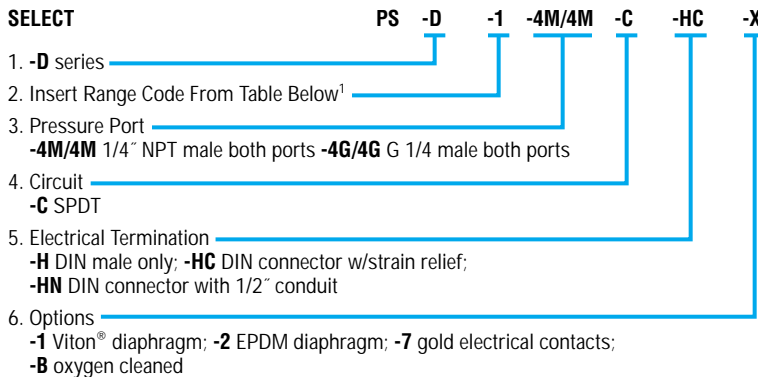
## Specifications

<b>Process Temperature</b>	
<b>Buna-N</b>	-4°F to +176°F (-20°C to +80°C)
<b>EPDM*</b>	-40°F to +176°F (-40°C to +80°C)
<b>Viton®*</b>	+32°F to +176°F (+0°C to +80°C)
<b>Ambient Temperature</b>	-40°F to +176°F (-40°C to +80°C)
<b>Switch</b>	5 Amp SPDT@120/240 VAC and 12/24 VDC (>1 million cycles)
<b>Approvals</b>	Microswitch is UL and CSA recognized
<b>Repeatability</b>	2% of highest set point @ 68°F (20°C)
<b>Wetted Parts</b>	
<b>Diaphragm</b>	Buna-N (optional EPDM or Viton®)
<b>Fitting</b>	Zinc-plated steel (low port: additional wetted parts: Stainless Steel spring and adjustment screw)
<b>Electrical Termination</b>	DIN 43650A (optional DIN with LED, 1/2" conduit, cable clamp)
<b>Enclosure</b>	IP65 (Nema 4) Aluminum (AL 2024) Anodized black
<b>Pressure Port</b>	G 1/4 or 1/4" NPT male
<b>Weight, Approximate:</b>	.75 lbs. (0.35 kg)

\*Optional

## How To Order

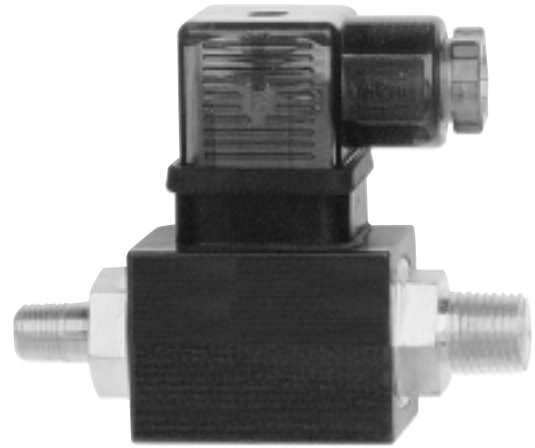
Use the **Bold** characters from the chart below to construct a product code.



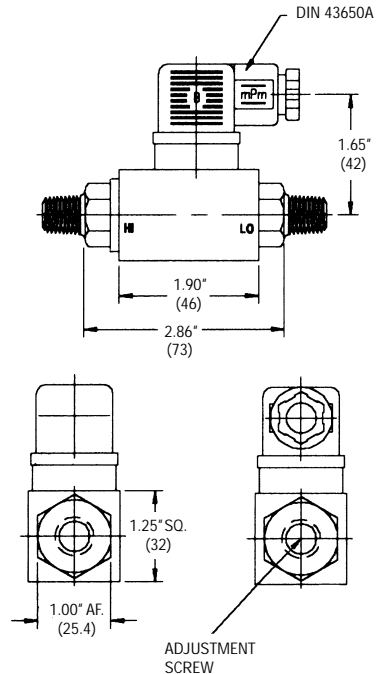
Note:

1. For factory set units indicate setting and units.

**Example:** PS-D-10psid-4M/4M-C-HC (10 psi, 1/4" NPT).



## Dimensions



Pressure Range Code	Adjustable Range Max.	Dead Band Max.	Static Pressure Max.	Proof Pressure	Part Number	
					G 1/4" Male	1/4" NPT Male
-1	10-25 psi 0.7-1.7 bar	50% of set point	500 psi 35 bar	500 psi 35 bar	<b>176669</b>	<b>176671</b>
-2	20-45 psi 1.3-3.0 bar	50% of set point	500 psi 35 bar	500 psi 35 bar	<b>176670</b>	<b>176672</b>