

ELS-300 Series Switches With Customized Lengths to 15 Inches

ORDER IT!
Ordering is Easy! See Instructions Below.

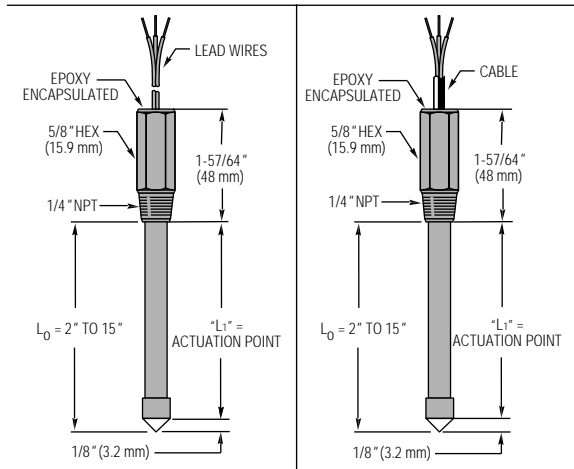
Stretch out and take a dip with these configurable electro-optic switches. They provide the ability to detect liquid levels within 15 inches of the top or bottom on a tank.

Specifications

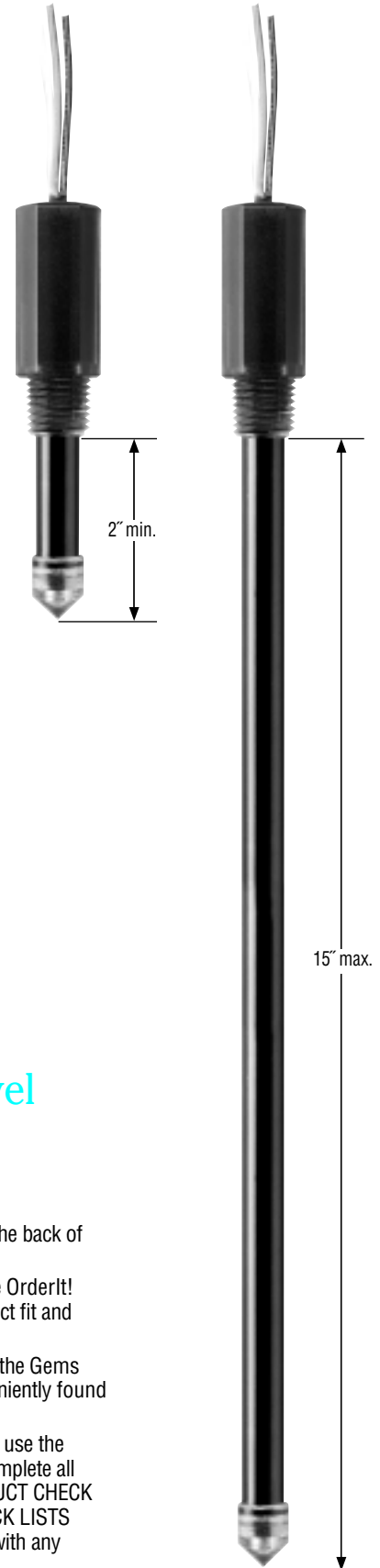
Materials	Polysulfone
Housing and Prism	
Operating Pressure	0 to 150 PSI, Maximum
Operating Temperature*	0°F to 176°F (-17.8°C to +80°C)
Input Power	5 VDC or 10-28 VDC
Current Consumption	18 mA, Approximately
Output	TTL/CMOS Compatible. Open Collector Output May Sink 40 mA Up to 30 VDC.
Repeatability	±1 mm
EMI Susceptibility	Meets (MIL-STD-461B Part 2 Modified) Specification of 10 V/M for Frequency Range 30 to 1000 MHz (Except 609 MHz = 9 V/M and 679 MHz = 7.5 V/M).

* These switches are not for use in freezing liquids.

ELS-300 Version



Electrical Termination	Lead Wires, 22 AWG, PVC Jacketed, 12" to 14" Extended	Cable, 22 AWG, PVC Jacketed, 12" to 14" Extended
-------------------------------	---	--



Specifying and Ordering ELS-300 Electro-Optic Level Switches

Our OrderIt! Forms make it quick and easy.

1. To specify this product, start by photocopying the appropriate OrderIt! PRODUCT CHECK LIST located at the back of this catalog on Page Z-7.
2. Next, using the product information supplied in this section, check off the boxes and fill in the blanks of the OrderIt! Check List to specify your desired product configuration. Accurate answers to each question will assure correct fit and function of your custom built product. Note: Use a separate Check List for each unique configuration.
3. To obtain a priced quotation, fax your completed OrderIt! Check List to Gems at 860-747-4244 or fax it to the Gems Sales Office or Sales Partner nearest you. All of our office locations, along with their fax numbers, are conveniently found on the Web at www.gemssensors.com. Or, if you choose, mail it to us...we'll do the rest!
4. To order your CUSTOM product, either place your order over the phone with one of our representatives, or use the OrderIt! method. Just photocopy the OrderIt! ORDER SHEET found at the back of this catalog. Accurately complete all of the purchasing information that we'll need to process your order and fax it along with your OrderIt! PRODUCT CHECK LISTS. When using the fax or mail method, the ORDER SHEET must be accompanied by the PRODUCT CHECK LISTS to expedite your order. These forms will provide us with the shipping and billing information we need, along with any prices or delivery dates quoted.