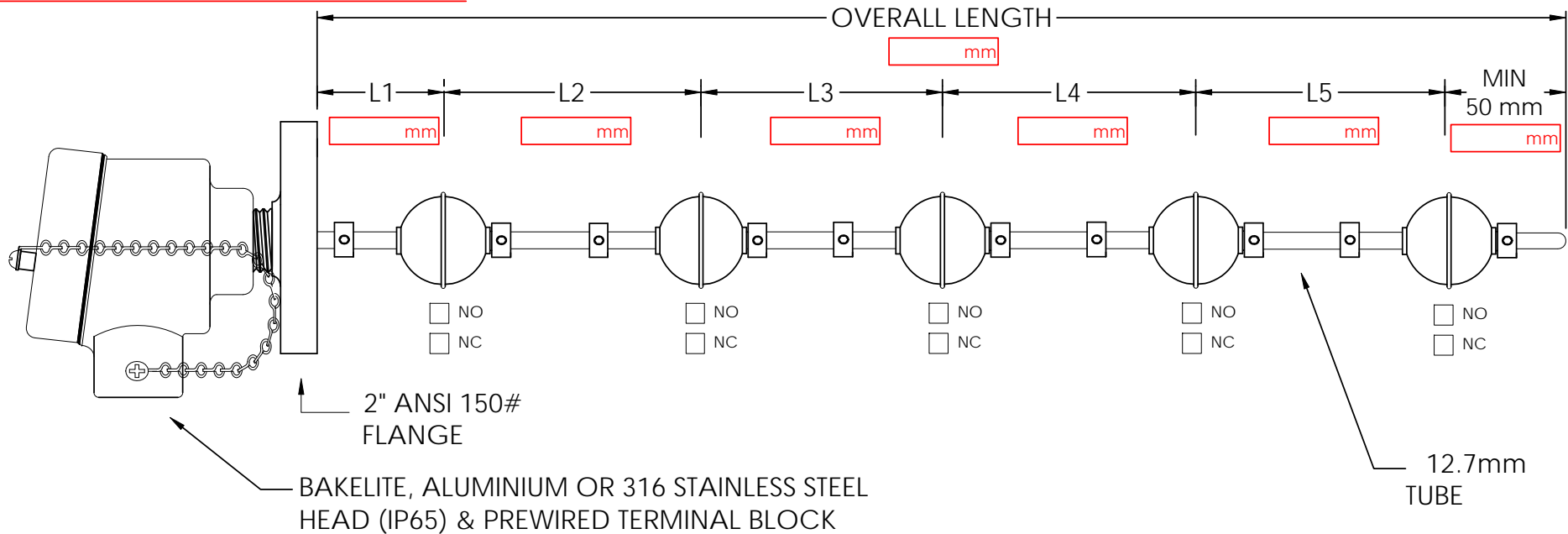


**NOTE: MINIMUM DISTANCE BETWEEN FLOATS IS 75mm**



- STANDARD** - NO or NC CONTACT RATED @ 32V AC/DC @ 500mA RESISTIVE LOAD
- STANDARD** - INDIVIDUALLY WIRED CONTACTS (UP TO 3 FLOATS) or COMMON WIRED 4-5
- OPTION** - NO or NC CONTACT RATED @ 250V AC/DC @ 500mA RESISTIVE LOAD
- OPTION** - INDIVIDUALLY WIRED CONTACTS FOR 4-5 FLOATS
- OPTION** - 240V RATED - ALUMINIUM or STAINLESS STEEL HEAD (IP65) WITH 240V WIRING
- OPTION** - TEMPERATURE SWITCH
- OPTION** - CHANGE-OVER CONTACT RATED @ 250mA RESISTIVE LOAD

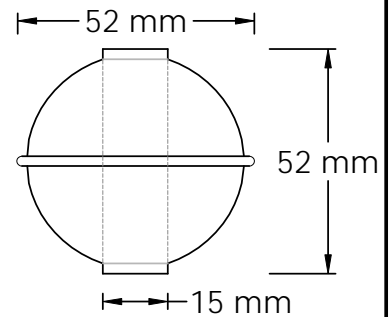
**SPECIFICATIONS:**

- 316L STAINLESS STEEL CONSTRUCTION
- Ø 52mm STAINLESS STEEL FLOATS
- SPECIFIC GRAVITY 0.55 (min.)
- TEMPERATURE RATING: 120°C (max.)
- PRESSURE RATING: 29.4 bar (max.)

**OPTIONAL CAPABILITIES:**

- UP TO 5 FLOATS PER ASSEMBLY (max. 1800mm)
- NO or NC CONTACTS RATED @ 250V AC/DC @ 500mA RESISTIVE LOAD
- WIRING VARIATIONS
- CHANGE-OVER CONTACTS RATED @ 250mA RESISTIVE LOAD
- SPECIAL THREADS, FLANGES & LENGTHS AVAILABLE

**FLOAT DIMENSIONS:**



Serial No:	Qty:
Work Order:	
Ref:	
Customer:	
Cust. PO:	
CCPL Invoice No:	State:

**CONTROL COMPONENTS PTY LTD**

**CONDITIONS:**  
 THIS DRAWING IS OUR EXCLUSIVE PROPERTY & MUST NOT BE COPIED OR HANDED TO ANY OTHER PARTIES WITHOUT WRITTEN PERMISSION. IT SHALL BE RETURNED UPON REQUEST.

UNIT 19, 15-23 KUMULLA ROAD  
 MIRANDA NSW 2228

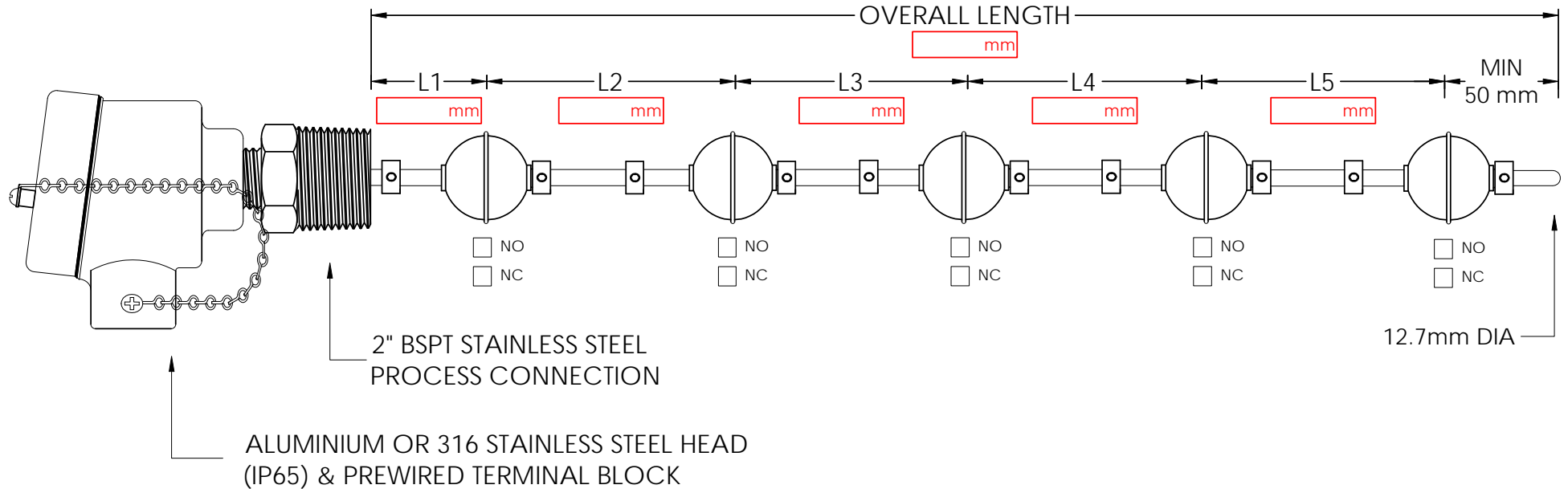
PHONE: 02 9542 8977  
 FAX: 02 9542 7978  
 EMAIL: HELP@CONTROLCOMPONENTS.COM.AU



**TITLE:** 1→5 station level switch with large floats

REGISTRY	SCANNED	SIZE: A4	DATE: 31-08-12	REV. 6.0
		SCALE: NTS	DRAWN BY: BGM	CCL-X-JB-xxx-2D/2A

**NOTE: MINIMUM DISTANCE BETWEEN FLOATS IS 75mm**



- STANDARD** - NO or NC CONTACT RATED @ 32V AC/DC @ 500mA RESISTIVE LOAD
- STANDARD** - INDIVIDUALLY WIRED CONTACTS (UP TO 3 FLOATS) or COMMON WIRED 4-5
- OPTION** - NO or NC CONTACT RATED @ 250V AC/DC @ 500mA RESISTIVE LOAD
- OPTION** - INDIVIDUALLY WIRED CONTACTS FOR 4-5 FLOATS
- OPTION** - 240V RATED - ALUMINIUM or STAINLESS STEEL HEAD (IP65) WITH 240V WIRING
- OPTION** - TEMPERATURE SWITCH
- OPTION** - CHANGE-OVER CONTACT RATED @ 250mA RESISTIVE LOAD

**SPECIFICATIONS:**

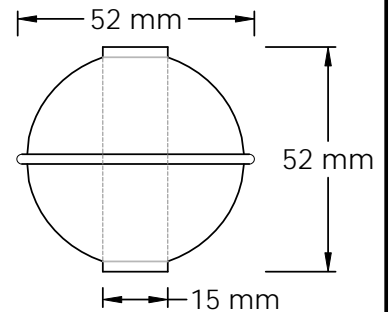
- 316L STAINLESS STEEL CONSTRUCTION
- Ø 52mm STAINLESS STEEL FLOATS
- SPECIFIC GRAVITY 0.55 (min.)
- TEMPERATURE RATING: 120°C (max.)
- PRESSURE RATING: 29.4 bar (max.)

**OPTIONAL CAPABILITIES:**

- UP TO 5 FLOATS PER ASSEMBLY (max. 1800mm)
- NO or NC CONTACTS RATED @ 250V AC/DC @ 500mA RESISTIVE LOAD
- WIRING VARIATIONS
- CHANGE-OVER CONTACTS RATED @ 250mA RESISTIVE LOAD
- SPECIAL THREADS, FLANGES & LENGTHS AVAILABLE

Serial No:	Qty:
Work Order:	
Ref:	
Customer:	
Cust. PO:	
CCPL Invoice No:	State:

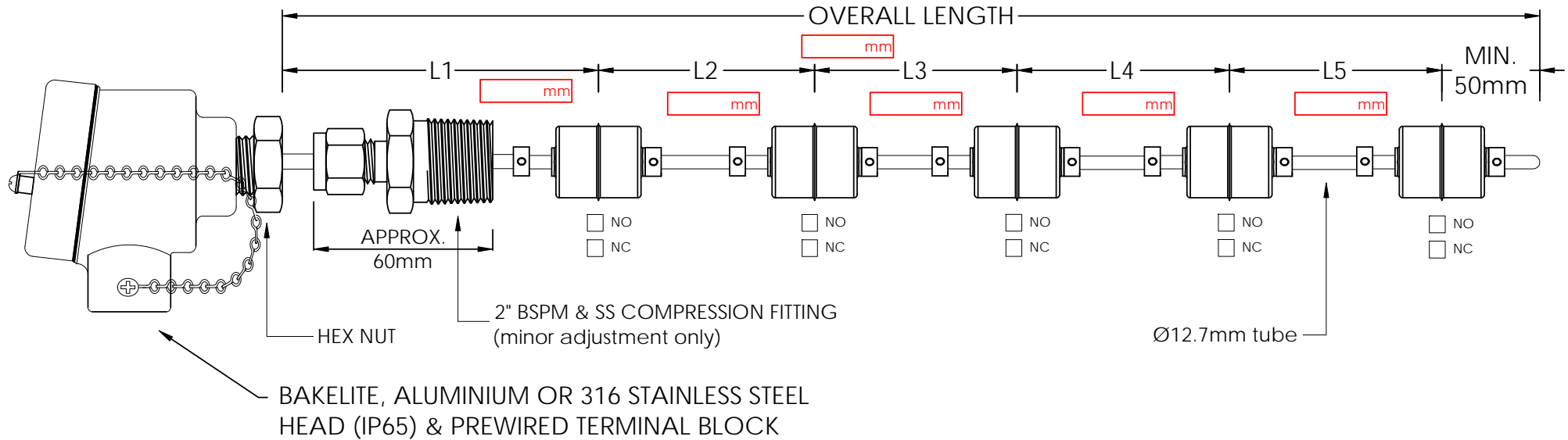
**FLOAT DIMENSIONS:**



<b>CONTROL COMPONENTS PTY LTD</b>		
<p><b>CONDITIONS:</b> THIS DRAWING IS OUR EXCLUSIVE PROPERTY &amp; MUST NOT BE COPIED OR HANDED TO ANY OTHER PARTIES WITHOUT WRITTEN PERMISSION. IT SHALL BE RETURNED UPON REQUEST.</p>	UNIT 19, 15-23 KUMULLA ROAD MIRANDA NSW 2228  PHONE: 02 9542 8977 FAX: 02 9542 7978 EMAIL: HELP@CONTROLCOMPONENTS.COM.AU	
	TITLE: 1→5 station level switch with large floats	
REGISTRY	SCANNED	SCALE: NTS
		DATE: 31-08-12
		REV. 6.0
		DRAWN BY: BGM
		CCL-X-JB-xxx-2T



**NOTE: MINIMUM DISTANCE BETWEEN FLOATS IS 78mm**



- STANDARD** - NO or NC CONTACT RATED @ 32V AC/DC @ 500mA RESISTIVE LOAD
- STANDARD** - INDIVIDUALLY WIRED CONTACTS (UP TO 3 FLOATS) or COMMON WIRED 4-5
- OPTION** - NO or NC CONTACT RATED @ 250V AC/DC @ 500mA RESISTIVE LOAD
- OPTION** - INDIVIDUALLY WIRED CONTACTS FOR 4-5 FLOATS
- OPTION** - 240V RATED - ALUMINIUM or STAINLESS STEEL HEAD (IP65) WITH 240V WIRING
- OPTION** - TEMPERATURE SWITCH
- OPTION** - CHANGE-OVER CONTACT RATED @ 250mA RESISTIVE LOAD

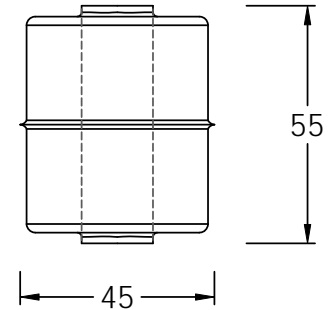
**SPECIFICATIONS:**

- 316L STAINLESS STEEL CONSTRUCTION
- Ø 45mm STAINLESS STEEL FLOATS
- SPECIFIC GRAVITY 0.65 (min.)
- TEMPERATURE RATING: 120°C (max.)
- PRESSURE RATING: 11.7 bar (max.)

**OPTIONAL CAPABILITIES:**

- UP TO 5 FLOATS PER ASSEMBLY (max. 1800mm)
- NO or NC CONTACTS RATED @ 250V AC/DC @ 500mA RESISTIVE LOAD
- WIRING VARIATIONS
- CHANGE-OVER CONTACTS RATED @ 250mA RESISTIVE LOAD
- SPECIAL THREADS, FLANGES & LENGTHS AVAILABLE

**Float DIMENSIONS:**



Serial No:	Qty:
Work Order:	
Ref:	
Customer:	
Cust. PO:	
CCPL Invoice No:	State:

**CONTROL COMPONENTS PTY LTD**

**CONDITIONS:**  
 THIS DRAWING IS OUR EXCLUSIVE PROPERTY & MUST NOT BE COPIED OR HANDED TO ANY OTHER PARTIES WITHOUT WRITTEN PERMISSION. IT SHALL BE RETURNED UPON REQUEST.

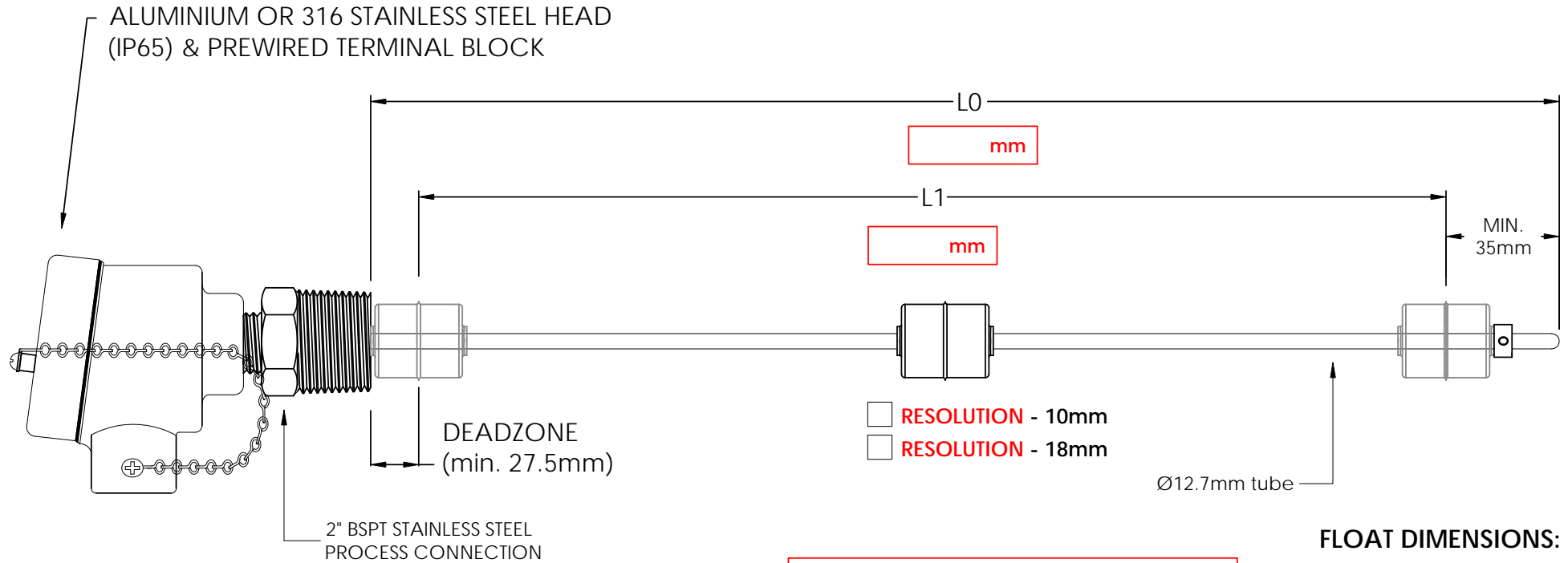
UNIT 19, 15-23 KUMULLA ROAD  
 MIRANDA NSW 2228

PHONE: 02 9542 8977  
 FAX: 02 9542 7978  
 EMAIL: HELP@CONTROLCOMPONENTS.COM.AU



**TITLE:** 1→5 station level switch with large cylindrical floats

REGISTRY	SCANNED	SIZE: A4	DATE: 31-08-12	REV: 6.0
		SCALE: NTS	DRAWN BY: BGM	CCL2-X-JB-xxx-2CF



- OPTION** - LENGTHS > 2500mm ON REQUEST
- OPTION** - HIRSHMAN (DIN) PLUG & SOCKET
- OPTION** - TEMPERATURE SWITCH

### SPECIFICATIONS:

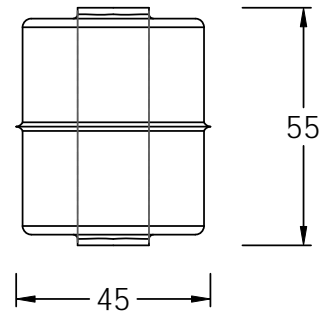
- 316L STAINLESS STEEL CONSTRUCTION
- SPECIFIC GRAVITY 0.65 (min.)
- TEMPERATURE RATING: 120°C (max.)
- PRESSURE RATING: 11.7 bar (max.)
- Ø45mm 316 STAINLESS STEEL FLOAT
- SUPPLY POWER 8-35 VDC (2 wire)

### OPTIONAL CAPABILITIES:

- MAX. 2000mm LENGTH (with 10mm resolution) or 2500mm (with 18mm resolution)
- SPECIAL THREADS, FLANGE & LENGTHS AVAILABLE

Serial No:	Qty:
Work Order:	
Ref:	
Customer:	
Cust. PO:	
CCPL Invoice No:	State:

### FLOAT DIMENSIONS:



- RESOLUTION** - 10mm
- RESOLUTION** - 18mm

Ø12.7mm tube

### CONTROL COMPONENTS PTY LTD

**CONDITIONS:**  
 THIS DRAWING IS OUR EXCLUSIVE PROPERTY & MUST NOT BE COPIED OR HANDED TO ANY OTHER PARTIES WITHOUT WRITTEN PERMISSION. IT SHALL BE RETURNED UPON REQUEST.

UNIT 19, 15-23 KUMULLA ROAD  
 MIRANDA NSW 2228

PHONE: 02 9542 8977  
 FAX: 02 9542 7978  
 EMAIL: HELP@CONTROLCOMPONENTS.COM.AU



TITLE: FLOAT-TYPE LEVEL TRANSMITTER WITH ANALOGUE OUTPUT.

REGISTRY	SCANNED	SCALE: NTS	DATE: 31-08-12	REV. 6.0
		DRAWN BY: BGM	CCT-MAXx-JB-xxx-2T	

**Junction box alternatives  
 for  
 flow and level switch units**



Small size housings for max 32V, IP65 rating, ¼ and ½" connections internal terminal strip Dims: 60mm dia x 80 mm high		
Aluminium Small 32V IP65	<b>JB-ALS-32V-65-1</b> (1/4") <b>JB-ALS-32V-65-2</b> (1/2") Painted aluminium case M16 NPB cable gland supplied	
Stainless Small 32V IP65	<b>JB-SSS-32V-65-2</b> Full 316SS case M16 SS cable gland supplied	
Medium size housings for max 32V, IP65 rating, 1/2" connection internal terminal strip on SS bracket Dims: 70mm dia x 75 mm high		
Aluminium Medium 32V IP65	<b>JB-ALM-32V-65-2</b> Painted aluminium case M20 cable entry (no gland)	
Stainless Medium 32V IP65	<b>JB-SSM-32V-65-2</b> Full 316SS case M20 SS cable gland supplied	
Large size housings for max 250V, IP65 rating, 1/2" connection Painted earth terminals both inside and outside housing. Cover locking screw internal terminal strip on SS bracket Dims: 82mm dia x 94 mm high		
Aluminium Large 240V IP65	<b>JB-ALL-240V-65-2</b> Painted aluminium case M20 cable entry (no gland)	
Stainless Large 240V IP65	<b>JB-SSL-240V-65-2</b> Full 316SS case M20 SS cable gland supplied	



FS-200 with JB-ALL-240V-65-2



FS-550 with JB-SSL-240V-65-2



Typical Gems flow switch fitted with large 240V junction box



Typical Gems level sensors with junction box fitted