

pHX/ReX

pH- and ORP Sensors



- **Easy to use**
The bracket and the slide rail makes it easy to fit the sensor
- **Low maintenance**
Field replaceable electrode
Flushes automatically
- **Wide measuring range**
0-14 pH or +/- 2000 mV
- **Quick and easy calibration**
pH sensor: Calibrate with two different buffer solutions
pH 4.00, 7.00 or 10.00

pH- and ORP sensors pHX and ReX

intended for applications in waste water treatment plants, industrial process sewers etc.,. The sensors are based on digital electronic with RS485 communication to the central unit **BB2**. In addition there is an automatic flushing system. Two sensors in the X-series can be connected to a single **BB2** box, which provides two 4-20 mA outputs. Two relay outputs are used for high/low alarms and flushing of the electrode.

Technical specifications

Material

Housing	316SS (2343)
Top	PVC

Weight 1.8 kg (4 lbs)

Process connection Immersion
Immersion depth max 30 cm (12")

Connection cable 10 m (33 ft) polyurethan
High impedance pH-input
with a BNC connector

Flushing 1/4" PVC hose

Dimensions Ø28 x 1080mm
(Ø1.1" x 43")

Measuring principle Combination electrode

Measuring ranges

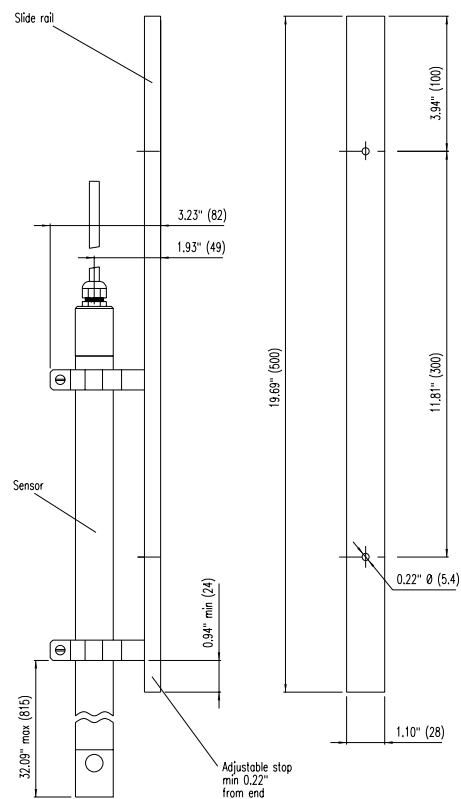
pH	0-14
ORP	+/- 2000 mV

Linear +/- 1.5 % FS
Inaccuracy +/- 1.5 % FS
Isolation Max 500 Volt.

Enclosure IP 65 (NEMA 4X)

Temperature range 0... +60 °C (32...140 °F)

Optional equipment Slide rail mounting Ø28
Flushing device.
Solenoid valve for flushing
max 6 bar (90 psig)



P.O. Box 5084, 141 05 HUDDINGE, Sweden, Ph. (switchboard) + 46 8 501 694 00,
Fax +46 8 501 694 29, e-mail sales@cerlic.se